



NAVIGATOR™ *Portable Balances*



Multi-Purpose Portable Balances Suitable for Everyday Weighing

OHAUS raises the bar in price-performance ratio with the newly-designed Navigator series which is perfect for general weighing applications in laboratory, industrial and education settings. Ruggedly constructed and multifunctional, the Navigator is a powerful balance that can handle a diverse range of weighing applications with features such as fast stabilization time, overload protection at four times its rated capacity, and easy operation.

Standard Features:

- Navigator offers essential weighing applications at a competitive price point.
- Advanced weighing technology offers one-second stabilization for fast and accurate weighing results, improving operator efficiency, productivity and throughput.
- Overload protection system that can withstand loads up to four times the rated capacity safeguards the balance.

NAVIGATOR® Portable Balances

Model	NV222	NV422	NV221	NV621	NV1201	NV2201	NVT2201	NVT4201	NVT2200	NVT6200	NVT12000	NVT22000
Capacity (g)	220	420	220	620	1200	2200	2200	4200	2200	6200	12000	22000
Readability (g)	0.01		0.1					1				
Span Calibration Mass*	200		300	500	1000		2000	1000	5000		10000	
Linearity Calibration Mass	100, 200 g	200, 400 g	100, 200 g	300, 600 g	500 g, 1 kg	1 kg, 2 kg	1 kg, 2 kg	2 kg, 4 kg	1 kg, 2 kg	3 kg, 6 kg	5 kg, 10 kg	10 kg, 20 kg
Stabilization Time(s)	1	1.5	1				1.5	1				
Construction	ABS housing and stainless steel pan											
Calibration	User-selectable external span or linearity calibration / Digital with external weight											
Tare Range	Full capacity by subtraction											
Weighing Units	g, kg, N, oz, ozt, dwt, lb, lb:oz, ct, grain											
Application Modes	Weighing, Parts Counting, Percent Weighing, Checkweighing											
Power Requirement	AC adapter (included) or 4 C batteries (not included)											
Typical Battery Life	270 hours											
Temperature Range	10 °C (50 °F) to 40 °C (104 °F) at 10% to 85% relative humidity, non-condensing											
Storage Conditions	-20 °C (-4 °F) to 55 °C (131 °F) at 10% to 90% relative humidity, non-condensing											
Communication	RS232, USB, or Ethernet (available as accessories)											
Display Type	Liquid Crystal Display (LCD) with backlight											
Display Size	0.78 in. / 20 mm digits											
Pan Size (W × D)	Ø 5.7 in. / 145 mm		7.5 × 5.7 in. / 190 × 144 mm				9.1 × 6.9 in. / 230 × 174 mm					
Balance Dimensions (W × D × H)	8 × 9.1 × 2.8 in. / 204 × 230 × 70 mm						9.5 × 9.8 × 2.9 in. / 240 × 250 × 74 mm					
Shipping Dimensions (W × D × H)	11.8 × 9.8 × 5.3 in. / 300 × 250 × 134 mm						15.2 × 13.2 × 6.7 in. / 385 × 335 × 170 mm					
Net Weight	2.2 lb / 1.0 kg						3.3 lb / 1.5 kg					
Shipping Weight	3.3 lb / 1.5 kg						5.1 lb / 2.3 kg					

*not included

Other Standard Features and Equipment

ABS housing, stainless steel pan, transportation lock, menu and calibration lockswitch, slip-resistant and adjustable feet, leveling bubble, mechanical and software overload/underload protection, stability indicator, low battery indicator, auto shut-off, user-selectable print options, user-selectable communication settings

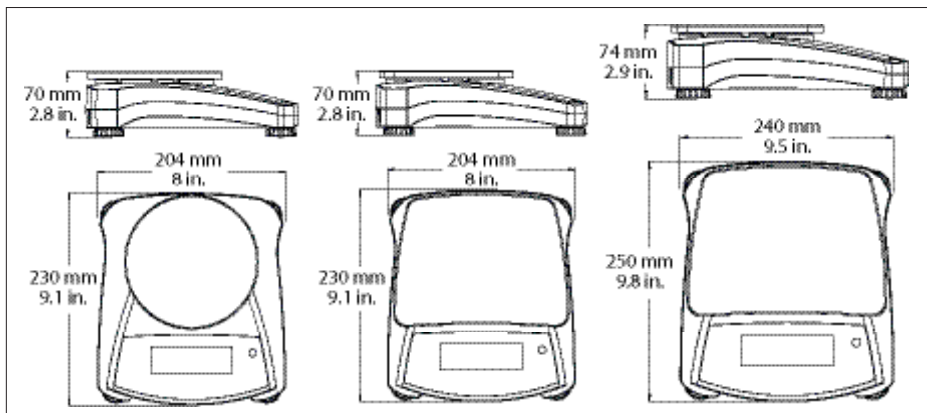
Compliance

- **Product Safety:** IEC/EN 61010-1
- **Electromagnetic Compatibility:** IEC/EN 61326-1 Class B, Basic environments; FCC Part 15 Class B; Canada ICES-003 Class B
- **Compliance Marks:** CE; RCM

Accessories

USB Interface.....	83032108	Carrying Case	30467963
RS232 Interface	83032107	Adapter with plugs.....	30467987
Ethernet Interface.....	83032109	Printer, SF40A, AM.....	30064203
Rechargeable Battery Kit.....	83032106		

Dimensions



80775652_A 20190526 © Copyright OHAUS Corporation

OHAUS CORPORATION
7 Campus Drive
Suite 310
Parsippany, NJ 07054 USA

Tel: 800.672.7722
973.377.9000
Fax: 973.944.7177

www.ohaus.com

The management system governing the manufacture of this product is ISO 9001:2015 certified.

