



# DEFENDER® 3000

Bench Scales



Counting function is not legal-for-trade

## **Bench Scales for Basic Industrial Applications**

The Defender 3000 Series bench scales are ideal for general weighing, simple counting and checkweighing applications in production, packaging, warehouse, inventory, shipping and receiving areas. The Defender 3000 Series features a simple, yet rugged tubular-frame base design and indicators with tactile keys, multicolor backlit LCD display, AC or battery operation and flexible mounting capabilities.

### **Unique Features:**

- Results are clearly shown using the large, bright backlit LCD display. In Checkweighing mode display changes color (yellow/green/red) to alert when within the target weight range.
- This tough industrial scale features a 304-stainless steel platform, powder-coated steel tubular frame, column and aluminum load cell. Indicator features a durable ABS housing and powder coated steel mounting bracket.
- Features software for Parts Counting, Checkweighing and Totalization. Includes RS232 with optional second port USB Device or Ethernet for printing or data connectivity.

# DEFENDER® 3000 Bench Scales

## Specifications

### Column Mount Bench Scales

| Model                                        | i-D33P15B1R1                                                                                                                          | i-D33P30B1R1                                       | i-D33P75B1R1                                          | i-D33P75B1L2                                                                      | i-D33P150B1L2                                        |
|----------------------------------------------|---------------------------------------------------------------------------------------------------------------------------------------|----------------------------------------------------|-------------------------------------------------------|-----------------------------------------------------------------------------------|------------------------------------------------------|
| Capacity x<br>Default Readability            | 15 kg x 2 g<br>30 lb x 0.005 lb<br>480 oz x 0.1 oz                                                                                    | 30 kg x 5 g<br>60 lb x 0.01 lb<br>960 oz x 0.2 oz  | 75 kg x 10 g<br>150 lb x 0.02 lb<br>2,400 oz x 0.5 oz | 75 kg x 10 g<br>150 lb x 0.02 lb<br>2,400 oz x 0.5 oz                             | 150 kg x 20 g<br>300 lb x 0.05 lb<br>4,800 oz x 1 oz |
| Capacity x<br>Certified/Approved Readability | 15 kg x 5 g<br>30 lb x 0.01 lb<br>480 oz x 0.2 oz                                                                                     | 30 kg x 10 g<br>60 lb x 0.02 lb<br>960 oz x 0.5 oz | 75 kg x 50 g<br>150 lb x 0.05 lb<br>2,400 oz x 1 oz   | 75 kg x 50 g<br>150 lb x 0.05 lb<br>2,400 oz x 1 oz                               | 150 kg x 50 g<br>300 lb x 0.1 lb                     |
| Maximum Displayed Resolution                 | 1:7,500                                                                                                                               | 1:6,000                                            | 1:7,500                                               |                                                                                   |                                                      |
| Linearity/Repeatability                      | ±1d                                                                                                                                   |                                                    |                                                       |                                                                                   |                                                      |
| Maximum Certified Resolution                 | 1:3,000                                                                                                                               |                                                    |                                                       |                                                                                   |                                                      |
| Indicator                                    | ABS indicator                                                                                                                         |                                                    |                                                       |                                                                                   |                                                      |
| Column                                       | 330 mm / 13 in high powder-coated steel                                                                                               |                                                    |                                                       | 680 mm / 26.8 in high powder-coated steel                                         |                                                      |
| Base Construction                            | Stainless steel removable weighing platform, powder-coated steel base construction, silicon sealed aluminum loadcell against moisture |                                                    |                                                       |                                                                                   |                                                      |
| Safe Overload Capacity                       | 150% of maximum capacity                                                                                                              |                                                    |                                                       |                                                                                   |                                                      |
| Stabilization Time                           | Within 1 second                                                                                                                       |                                                    |                                                       |                                                                                   |                                                      |
| Operating Temperature Range                  | 14°F to 104°F / -10°C to 40°C                                                                                                         |                                                    |                                                       |                                                                                   |                                                      |
| Scale Dimensions<br>(A x B x C x D x E x F)  | 355 x 305 x 121.8 x 75 x 541.6 x 489.1 mm<br>14 x 12 x 4.8 x 3 x 21.3 x 19.3 in                                                       |                                                    |                                                       | 550 x 420 x 134 x 80 x 896.1 x 685.6 mm<br>21.7 x 16.5 x 5.3 x 3.1 x 35.3 x 27 in |                                                      |
| Shipping Dimensions<br>(L x W x H)           | 642 x 497 x 212 mm<br>25.3 x 19.6 x 8.3 in                                                                                            |                                                    |                                                       | 857 x 564 x 225 mm<br>33.7 x 22.2 x 8.9 in                                        |                                                      |
| Approx. Net Weight                           | 10.4 kg / 22.9 lb                                                                                                                     |                                                    |                                                       | 16.9 kg / 37.3 lb                                                                 |                                                      |
| Approx. Shipping Weight                      | 13.4 kg / 29.5 lb                                                                                                                     |                                                    |                                                       | 21 kg / 46.2 lb                                                                   |                                                      |

| Model                                        | i-D33P150B1X2                                                                                                                         | i-D33P300B1X2                     | i-D33P300B1V3                                                                        | i-D33P600B1V3                      |
|----------------------------------------------|---------------------------------------------------------------------------------------------------------------------------------------|-----------------------------------|--------------------------------------------------------------------------------------|------------------------------------|
| Capacity x<br>Default Readability            | 150 kg x 20 g<br>300 lb x 0.05 lb<br>4,800 oz x 1 oz                                                                                  | 300 kg x 50 g<br>600 lb x 0.1 lb  | 300 kg x 50 g<br>600 lb x 0.1 lb                                                     | 600 kg x 100 g<br>1200 lb x 0.2 lb |
| Capacity x<br>Certified/Approved Readability | 150 kg x 50 g<br>300 lb x 0.1 lb                                                                                                      | 300 kg x 100 g<br>600 lb x 0.2 lb | 300 kg x 100 g<br>600 lb x 0.2 lb                                                    | 600 kg x 200 g<br>1200 lb x 0.5 lb |
| Maximum Displayed Resolution                 | 1:7,500                                                                                                                               | 1:6,000                           |                                                                                      |                                    |
| Linearity/Repeatability                      | ±1d                                                                                                                                   |                                   |                                                                                      |                                    |
| Maximum Certified Resolution                 | 1:3,000                                                                                                                               |                                   |                                                                                      |                                    |
| Indicator                                    | ABS indicator                                                                                                                         |                                   |                                                                                      |                                    |
| Column                                       | 680 mm / 26.8 in high powder-coated steel                                                                                             |                                   | 980 mm / 38.6 in high powder-coated steel                                            |                                    |
| Base Construction                            | Stainless steel removable weighing platform, powder-coated steel base construction, silicon sealed aluminum loadcell against moisture |                                   |                                                                                      |                                    |
| Safe Overload Capacity                       | 150% of maximum capacity                                                                                                              |                                   |                                                                                      |                                    |
| Stabilization Time                           | Within 1 second                                                                                                                       |                                   |                                                                                      |                                    |
| Operating Temperature Range                  | 14°F to 104°F / -10°C to 40°C                                                                                                         |                                   |                                                                                      |                                    |
| Scale Dimensions<br>(A x B x C x D x E x F)  | 650 x 500 x 150 x 90 x 894.6 x 784.6 mm<br>25.6 x 19.7 x 5.9 x 3.5 x 35.2 x 30.9 in                                                   |                                   | 800 x 600 x 154.1 x 90 x 1194.6 x 933.1 mm<br>31.5 x 23.6 x 6.1 x 3.5 x 47 x 36.7 in |                                    |
| Shipping Dimensions<br>(L x W x H)           | 1,022 x 687 x 247 mm<br>40.2 x 27 x 9.7 in                                                                                            |                                   | 1,165 x 780 x 235 mm<br>45.9 x 30.7 x 9.3 in                                         |                                    |
| Approx. Net Weight                           | 27 kg / 59.6 lb                                                                                                                       |                                   | 45.5 kg / 100.3 lb                                                                   |                                    |
| Approx. Shipping Weight                      | 30.5 kg / 67.3 lb                                                                                                                     |                                   | 49.5 kg / 109 lb                                                                     |                                    |

# DEFENDER® 3000 Bench Scales

## Specifications

### Front Mount Bench Scales

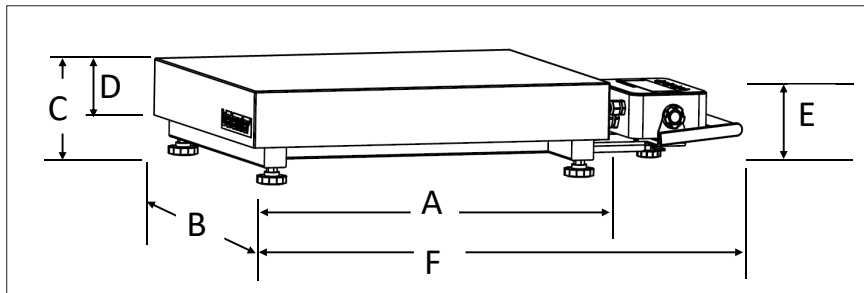
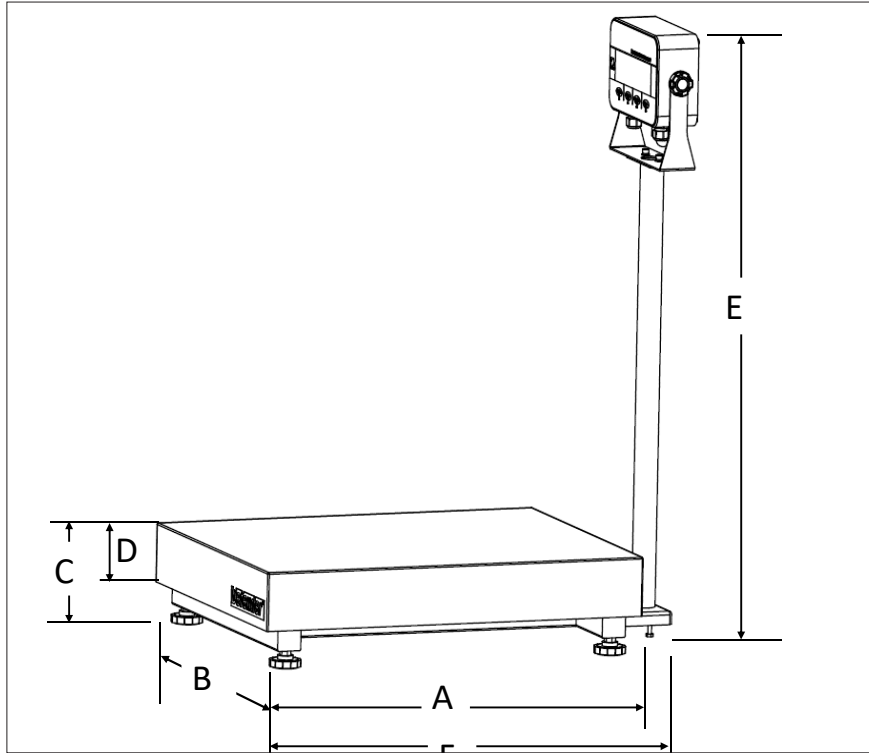
| Model                                     | i-D33P15B1R5                                                                                                                          | i-D33P30B1R5                                       | i-D33P75B1R5                                          | i-D33P75B1L5                                                                     | i-D33P150B1L5                                        | i-D33P150B1X5                                                                | i-D33P300B1X5                     |
|-------------------------------------------|---------------------------------------------------------------------------------------------------------------------------------------|----------------------------------------------------|-------------------------------------------------------|----------------------------------------------------------------------------------|------------------------------------------------------|------------------------------------------------------------------------------|-----------------------------------|
| Capacity x Default Readability            | 15 kg x 2 g<br>30 lb x 0.005 lb<br>480 oz x 0.1 oz                                                                                    | 30 kg x 5 g<br>60 lb x 0.01 lb<br>960 x 0.2 oz     | 75 kg x 10 g<br>150 lb x 0.02 lb<br>2,400 oz x 0.5 oz | 75 kg x 10 g<br>150 lb x 0.02 lb<br>2,400 oz x 0.5 oz                            | 150 kg x 20 g<br>300 lb x 0.05 lb<br>4,800 oz x 1 oz | 150 kg x 20 g<br>300 lb x 0.05 lb<br>4,800 oz x 1 oz                         | 300 kg x 50 g<br>600 lb x 0.1 lb  |
| Capacity x Certified/Approved Readability | 15 kg x 5 g<br>30 lb x 0.01 lb<br>480 oz x 0.2 oz                                                                                     | 30 kg x 10 g<br>60 lb x 0.02 lb<br>960 oz x 0.5 oz | 75 kg x 50 g<br>150 lb x 0.05 lb<br>2,400 oz x 1 oz   | 75 kg x 50 g<br>150 lb x 0.05 lb<br>2,400 oz x 1 oz                              | 150 kg x 50 g<br>300 lb x 0.1 lb                     | 150 kg x 50 g<br>300 lb x 0.1 lb                                             | 300 kg x 100 g<br>600 lb x 0.2 lb |
| Maximum Displayed Resolution              | 1:7,500                                                                                                                               | 1:6,000                                            | 1:7,500                                               |                                                                                  |                                                      |                                                                              | 1:6,000                           |
| Linearity/ Repeatability                  | ±1d                                                                                                                                   |                                                    |                                                       |                                                                                  |                                                      |                                                                              |                                   |
| Maximum Certified Resolution              | 1:3,000                                                                                                                               |                                                    |                                                       |                                                                                  |                                                      |                                                                              |                                   |
| Indicator                                 | ABS indicator                                                                                                                         |                                                    |                                                       |                                                                                  |                                                      |                                                                              |                                   |
| Mount                                     | 304 stainless steel front-mount bracket with handle                                                                                   |                                                    |                                                       |                                                                                  |                                                      |                                                                              |                                   |
| Base Construction                         | Stainless steel removable weighing platform, powder-coated steel base construction, silicon sealed aluminum loadcell against moisture |                                                    |                                                       |                                                                                  |                                                      |                                                                              |                                   |
| Safe Overload Capacity                    | 150% of maximum capacity                                                                                                              |                                                    |                                                       |                                                                                  |                                                      |                                                                              |                                   |
| Stabilization Time                        | Within 1 second                                                                                                                       |                                                    |                                                       |                                                                                  |                                                      |                                                                              |                                   |
| Operating Temperature Range               | 14°F to 104°F / -10°C to 40°C                                                                                                         |                                                    |                                                       |                                                                                  |                                                      |                                                                              |                                   |
| Scale Dimensions (A x B x C x D x E x F)  | 355 x 305 x 121.8 x 75 x 130 x 645.5 mm<br>14 x 12 x 4.8 x 3 x 5.1 x 25.4 in                                                          |                                                    |                                                       | 550 x 420 x 134 x 80 x 132.9 x 842 mm<br>21.7 x 16.5 x 5.3 x 3.1 x 5.2 x 33.1 in |                                                      | 650 x 500 x 150 x 90 x 133 x 941 mm<br>25.6 x 19.7 x 5.9 x 3.5 x 5.2 x 37 in |                                   |
| Shipping Dimensions (L x W x H)           | 857 x 564 x 225 mm<br>33.7 x 22.2 x 8.9 in                                                                                            |                                                    |                                                       | 1,022 x 687 x 247 mm<br>40.2 x 27 x 9.7 in                                       |                                                      | 1,022 x 687 x 247 mm<br>40.2 x 27 x 9.7 in                                   |                                   |
| Approx. Net Weight                        | 9.6 kg / 21.3 lb                                                                                                                      |                                                    |                                                       | 15.5 kg / 34.3 lb                                                                |                                                      | 25.7 kg / 56.6 lb                                                            |                                   |
| Approx. Shipping Weight                   | 12 kg / 26.5 lb                                                                                                                       |                                                    |                                                       | 19.6 kg / 43.2 lb                                                                |                                                      | 29.2 kg / 64.3 lb                                                            |                                   |

### Indicator

| Model              | i-DT33P                                                                                                                |
|--------------------|------------------------------------------------------------------------------------------------------------------------|
| Construction       | ABS housing, painted steel mounting bracket                                                                            |
| Weighing Units     | Kilogram, Gram, Pound, Ounce, Pound: Ounce                                                                             |
| Application Modes  | Weighing, Parts Counting, Checkweighing and Totalization                                                               |
| Display            | 6-digit, 7-segment LCD display with multi-color backlight, 45 mm / 1.8 in high digits                                  |
| Check Indicator    | 3 color (red, green, yellow) backlight                                                                                 |
| Keyboard           | 4 membrane function keys                                                                                               |
| Auto-zero Tracking | Off, 0.5 d, 1 d or 3 d                                                                                                 |
| Zeroing Range      | 2% or 100% of capacity                                                                                                 |
| Interface          | RS232 included, Optional second port USB Device or Ethernet                                                            |
| Power              | 100-240 VAC / 50/60 Hz Universal Power Supply or C cell battery (Not included), Optional Internal Rechargeable battery |
| Battery Life       | Up to 360 hours (C cell battery) or 100 hours continuous use with optional rechargeable battery with backlight off     |
| Calibration        | Zero, Span or 3 point-Linear                                                                                           |

# DEFENDER® 3000 Bench Scales

## Outline Dimensions



## Accessories

|                                                                                  |          |
|----------------------------------------------------------------------------------|----------|
| Ethernet Kit .....                                                               | 30429666 |
| USB Device Kit i-DT33 .....                                                      | 30699120 |
| Dust Cover (5) i-DT33.....                                                       | 30699121 |
| Rechargeable Battery Kit i-DT33P.....                                            | 30699122 |
| Wheel Kit, Defender Series<br>(Max. load: 300 kg / 600 lb) .....                 | 30372146 |
| Wheel Kit Stainless Steel Defender Series<br>(Max load: 600 kg / 1,200 lb) ..... | 30616409 |
| Carrying Handle Kit<br>Stainless Steel i-DT33.....                               | 30696600 |
| SF40A Printer .....                                                              | 30064202 |
| Cable RS232 i-DT33P .....                                                        | 80500525 |

## Compliance

- **Metrology:** NTEP (Indicator: CC 21-070, Platforms: CC 21-075); Measurement Canada (Indicator: NoA AM-6183, Platforms: NoA AM-6180) Class III
- **Product Safety:** UL61010-1; CAN/CSA C22.2 61010-1; IEC/EN 61010-1
- **Electromagnetic Compatibility:** FCC Part 15 Class A; Canada ICES-003 Class A; IEC/EN 61326-1 Class B, basic environments
- **Ingress Protection:** IEC 60529 – IP54 (for indicator with optional dust cover), IEC 60529 – IP65 (for load cell)
- **Compliance Marks:** CSA, CE
- **Other:** WEEE, RoHS

**OHAUS CORPORATION**  
7 Campus Drive  
Suite 310  
Parsippany, NJ 07054 USA

Tel: 800.672.7722  
973.377.9000  
Fax: 973.944.7177

[www.ohaus.com](http://www.ohaus.com)

*The management system governing the manufacture of this product is ISO 9001:2015 certified.*

80776726\_A 20220505 © Copyright OHAUS Corporation

