

Other Sound and Non-Sound Lecterns from Oklahoma Sound



Model 6010



Model #612



Model 600



MODEL # 950/901/910



MODEL #111 PLS



Model 800X/810



Model GSL

For these and other OS product please contact your dealer, or:

Oklahoma Sound

149 Entin Road, Clifton NJ 07014 ♦ Tel : (973) 594-9000

www.nationalpublicseating.com ♦ info@nationalpublicseating.com



SOUND KIT

PRODUCT HANDBOOK



MODEL # SK

INTRODUCTION

Congratulations!!! On your purchase of the Model #SK Sound Kit. This kit will easily transform your lectern into a sound unit, allowing your presentation to be amplified and heard by everyone in the audience. The kit is easy to install in a matter of minutes and can be removed

Kit includes:

- 1 Series 100 amplifier.
- 2 Speakers.
- 1 Handheld microphone.
- 1 Tie clip microphone.
- 1 Goose neck with base and microphone holder.
- 2 Velcro strips for speaker.
- 1 Velcro strip for amplifier.
- 4 Small screws to secure amplifier.
- 1 Easy connect wire.



IMPORTANT SAFETY INFORMATION

As with any electric/electronic device, care should be taken during use. **ALWAYS** turn off the amplifier before opening or servicing any part of the unit. Please handle your lectern with the care it deserves.

Manufactures Warranty

Our lecterns undergo the most rigid and exacting test for superior quality and performance before leaving our factory. Oklahoma Sound warrants this product to be free from defective material and workmanship on this unit for five years from the date of resale by an authorized Oklahoma Sound distributor. Oklahoma Sound will replace defective parts and repair malfunctioning products under this warranty when the defect occurs under normal installation and use, provided that the unit is returned to our factory via prepaid transportation after direct authorization and approval from Oklahoma Sound. This warranty provides that examination of the returned product must disclose in our judgment a manufacturing defect. This warranty does not extend to any product which has been subject to misuse, neglect, accident, improper installation or where the serial number has been removed if defective and is given in lieu of any other warranty implied or expressed and will not cover any damage.

Also available from Oklahoma Sound

Model SK-B

Model SK-B is a bracket system that will mount the speakers to the lectern providing the option of having the speakers swivel to your desired angle.

Note: The brackets will have to be screwed to the side panels of the lectern.

Speaker Assembly:

IMPORTANT: Do not install Sound Kit until your lectern is fully assembled.

1. Begin by locating the 2 small caps on both sides of the side panels. Gently pull them out by using a flat screwdriver or similar tool. USE CAUTION to avoid scratching the panels.

Amplifier Installation

1. Remove amplifier from carton and place on a flat surface. Attach the easy connect wiring to the back of the amplifier. See Diagram 1. Once attached be sure that the double wire is split into two to enable attachment to both right & left speakers.
2. Once the plug is fastened to the back of the amp, secure the amplifier to the middle shelf. (See Diagram 2 for recommended location.) The amplifier can be attached by either using the self adhesive Velcro strip or by screwing to the shelf. To screw the amplifier to the shelf insert the four provided screws through the two holes on both sides of the amplifier chassis and tightly screw in using a power tool.

Speaker installation

1. Remove both sets of Velcro strips from the carton.
2. Each set of Velcro Strips is made up of two parts. One side is to be adhered to the lectern and the other to the speaker.
3. Remove the plastic from the back of the side that you intend to adhere to the lectern and firmly stick to side panel. See diagram 3 for correct Velcro location.
4. Carefully remove speakers from carton. Continue by removing the plastic backing from the back of the Velcro and firmly stick it to the side of the speaker.
5. Once both sides of Velcro strips are in place, firmly join the speaker to the lectern.

Wiring

1. Begin by taking both sides of the easy-connect wire, which is now connected to the back of the amplifier, remove plastic plugs from the holes on each of the side panels, and feed each of the wires through the holes.
2. Once the two ends have been properly fed through the panels, secure the wires to the terminals located at the back of the speakers. To properly secure wires to terminal, loosen plastic caps to expose terminal hole and insert wire. Once inserted, tighten plastic caps. **IMPORTANT:** One end of the wire should be attached to the BLACK terminal on the right speaker and the other wire should be attached to the RED terminal on the left speaker. (See diagram 5).
3. Proceed by feeding the single bridge wire through the holes on each of the side panels. Connect the wire to the RED terminal on the right speaker and to the Black terminal on the left speaker.

Goose neck Microphone Holder Installation

1. Pre-drill 3 holes in recommended location on lectern surface, by using the microphone holder base as guide. (See Diagram 6 for recommended location.)
2. Secure microphone holder to lectern surface by fastening the 3 provided screws.

Diagram 1



Diagram 2

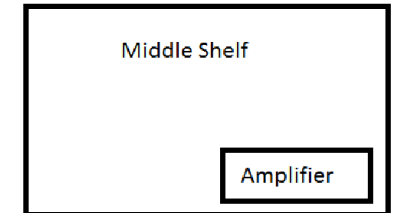


Diagram 3

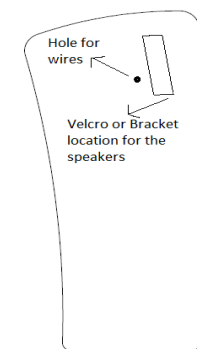


Diagram 4



Diagram 5

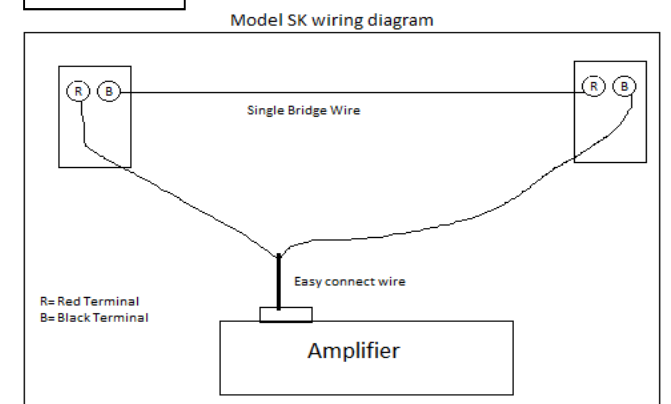


Diagram 6

