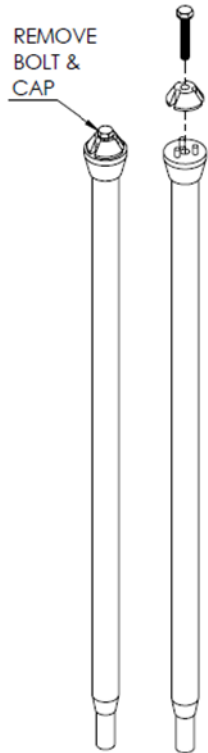




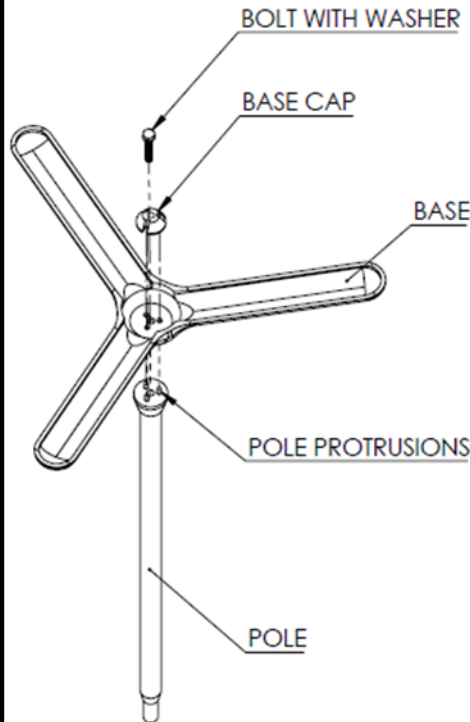
# 82MS Assembly Instructions

Tools Needed: Philips Screwdriver & 9/16" or 14mm Socket wrench

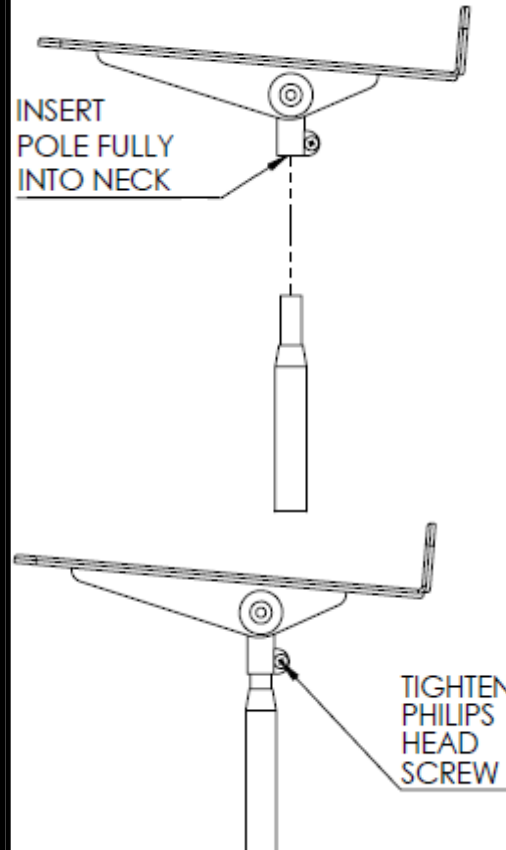
1) Remove bolt and base cap from bottom of pole.



2) Insert pole protrusions into base holes and place base cap over protrusions.  
3) Insert bolt/washer and tighten using a socket wrench.



4) Extend chrome tube and insert into neck.  
5) Tighten screw with Philips screwdriver.



Dear Valued Customer,

Thank you for your purchase. If you encounter any missing parts or difficulty in assembly etc., please call our toll-free customer service line at 1-800-261-4112 for courteous and immediate resolution to your problem.

Sincerely

National Public Seating

