

MOBILE TROLLEY

ST01

User guide - Optoma 5-Series IFP setup and installation

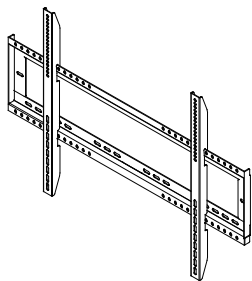


The fixed mobile trolley allows you to easily transport your display between locations.

SETUP AND INSTALLATION

Wall Mounting Installation

Use only an Optoma-approved optional wall mount kit (available separately). Kit will include the following items:



Dual mounting brackets and wall mount



Screw A (x4)



Screw B (x8)



Screw C (x2)



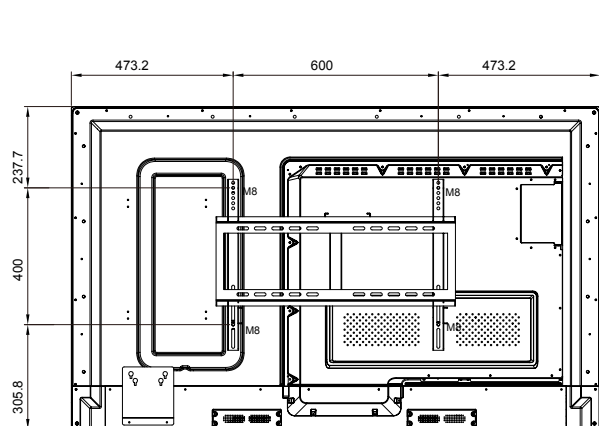
Anchor (x8)



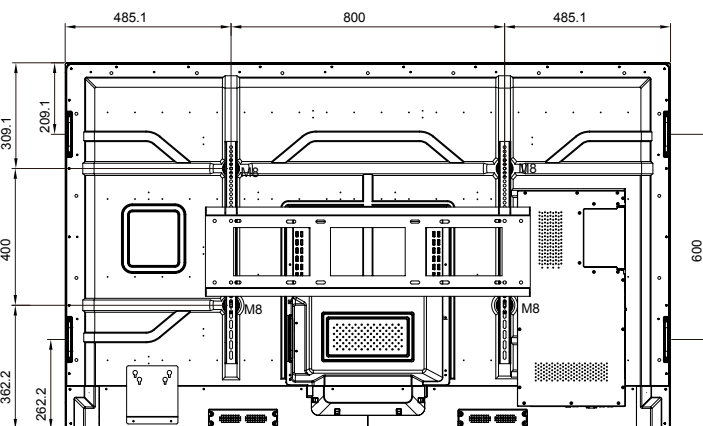
Washer (x8)

Wall Mount Specifications

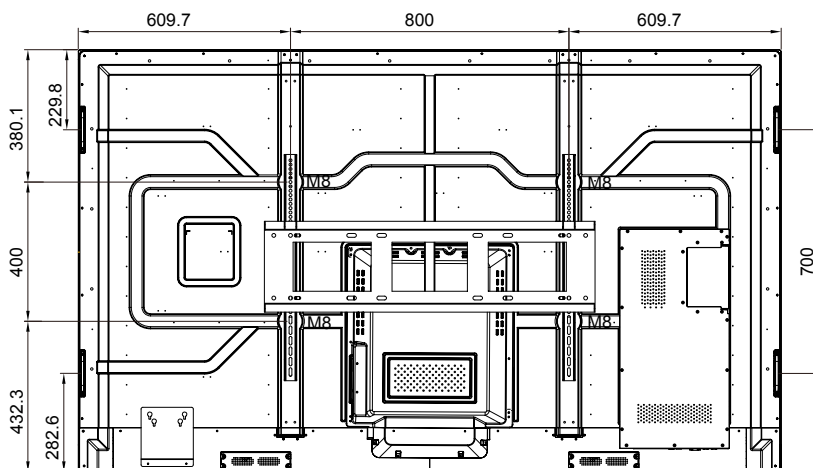
Model Name	VESA Grid	Screw Type & Length
65-inch	600 x 400 mm	M8*25L
75-inch	800 x 400 mm	M8*25L
86-inch	800 x 400 mm	M8*25L



65-inch



75-inch

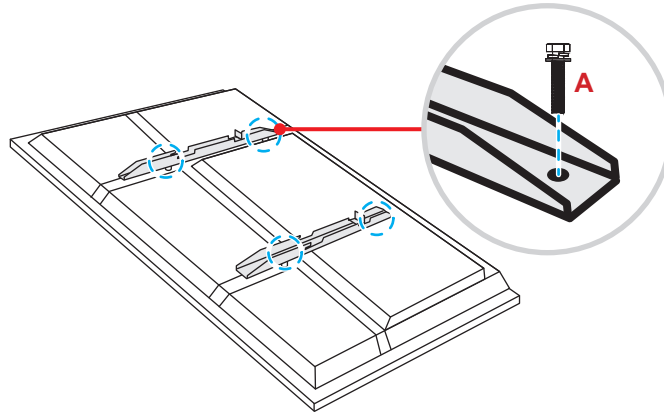


86-inch

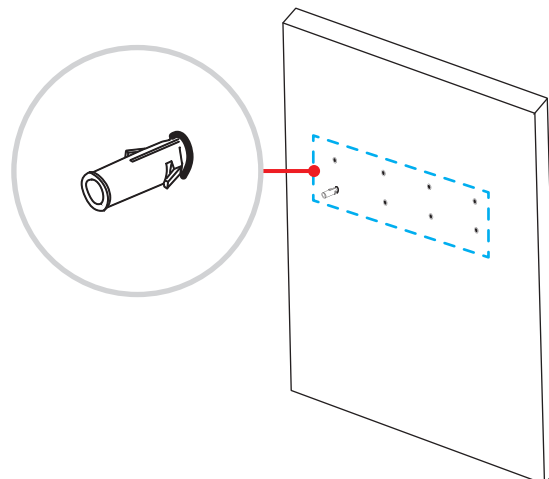
SETUP AND INSTALLATION

To mount the IFP on the wall, complete the following steps:

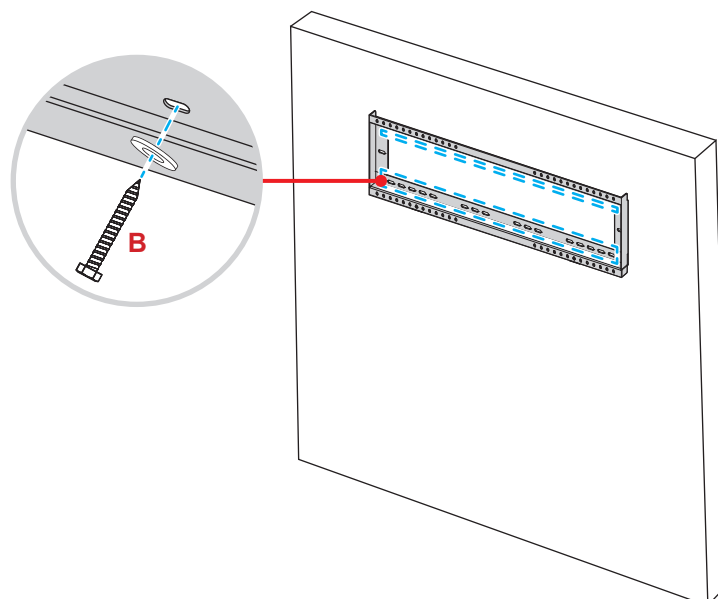
1. Install the dual mounting brackets on the rear of the IFP. Then secure the brackets with four screws (A).



2. Drill eight small holes on the mounting location and insert the anchors into the holes.

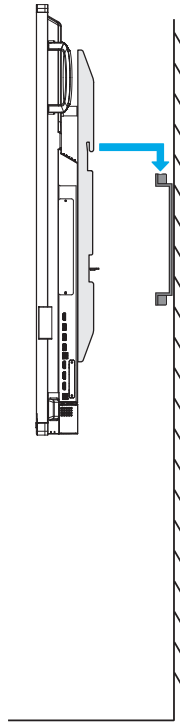


3. Position the wall mount on the wall, then secure the wall mount with eight screws (B) through the washers into the installed anchors on the wall.

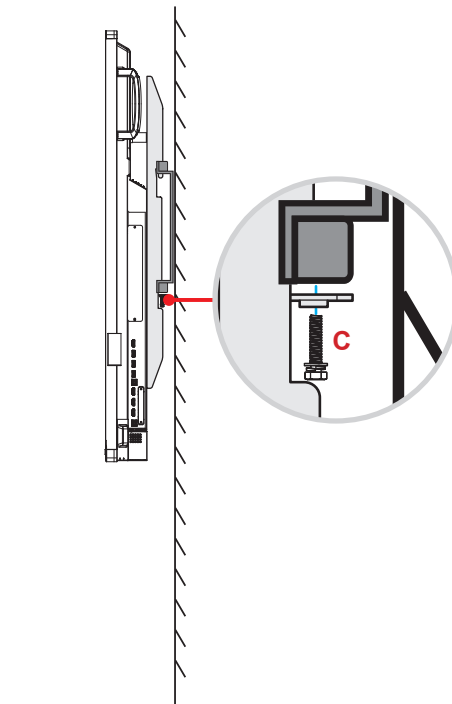


SETUP AND INSTALLATION

4. Align and hook the dual mounting brackets to the wall mount.



5. Secure the dual mounting brackets and the wall mount with two screws (C).



Note:

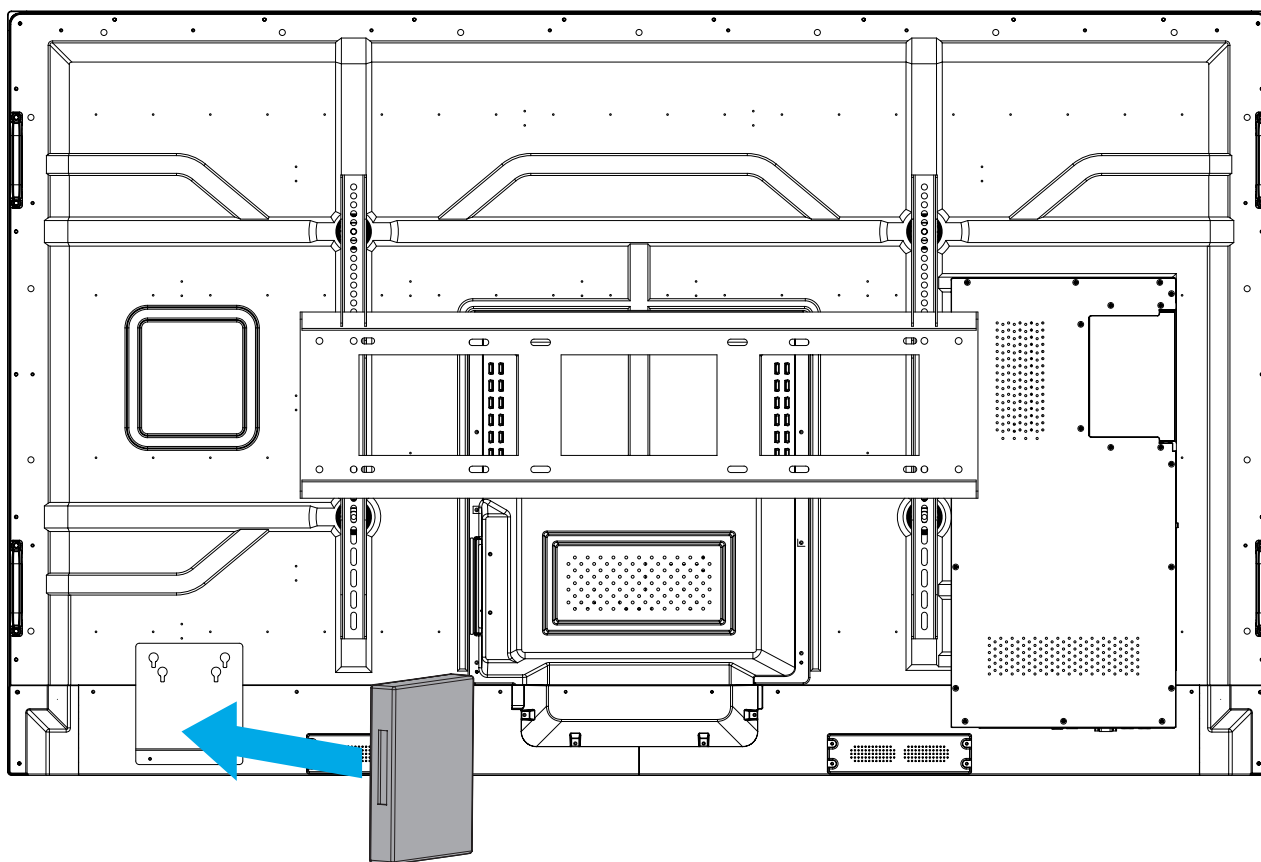
- *The maximum wall mount kit load capacity: 160kg (352lbs).*
- *Please ensure that the wall mount is installed on a wall that can bear the weight of the IFP. If an appropriate wall is not available, we recommend using a stand instead. Please refer to page 5. Screws must be tightly secured; however, to avoid damage to the mounting brackets, wall mount, or IFP, do not overtighten the screws.*
- *The installation should only be performed by qualified technicians. Improper installation may cause the IFP to fall or malfunction.*

SETUP AND INSTALLATION

Installing an External Mini Computer

Install the mini PC bracket on the rear side of the IFP, then complete one of the following to install the mini computer:

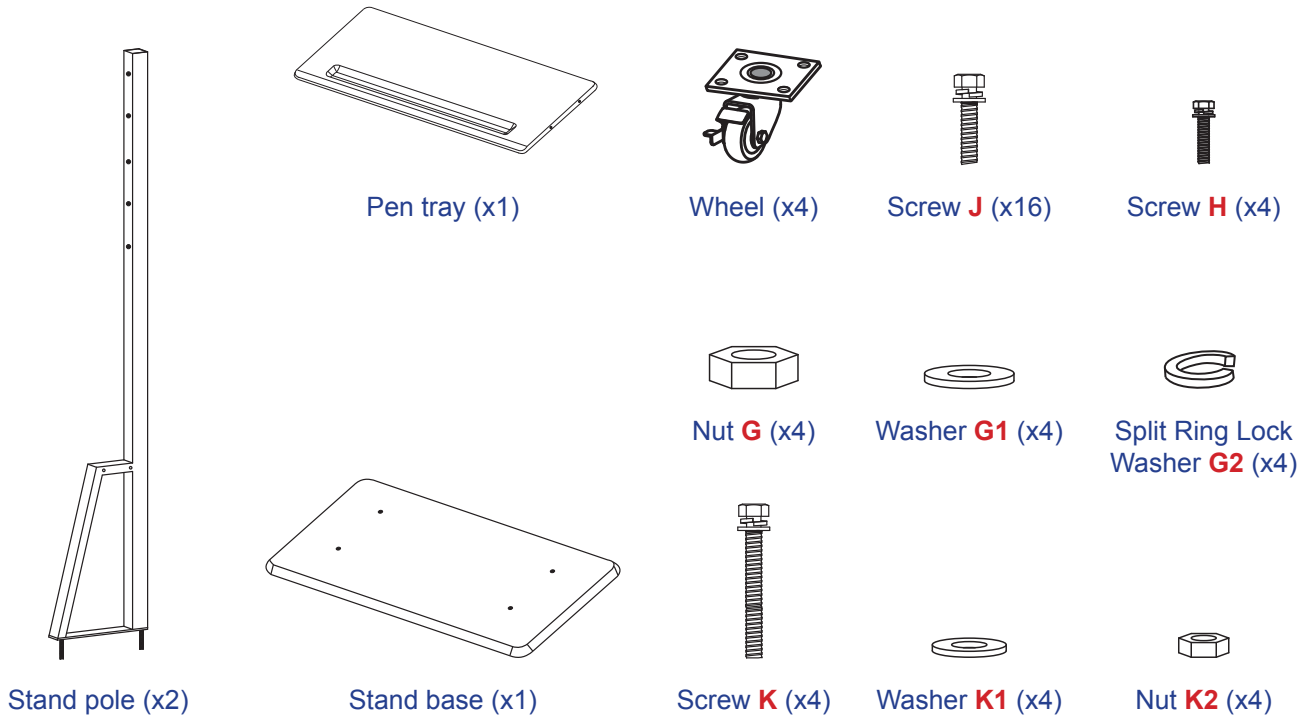
- Install the screws onto the mini computer, then align and hook the mini computer to the mini PC bracket.
- Align and install the mini computer to the mini PC bracket. Then secure it with four screws.



SETUP AND INSTALLATION

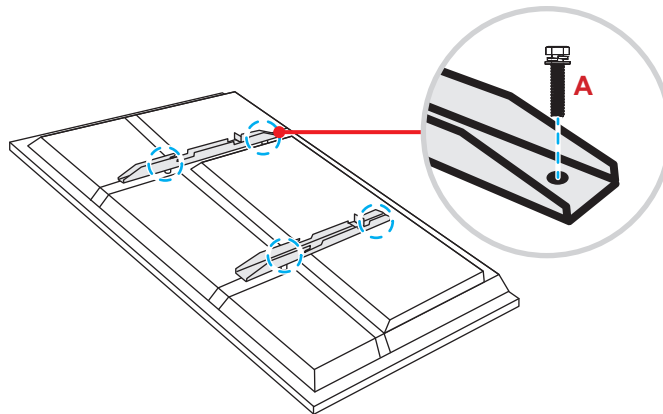
Stand Mounting Installation (Optional)

The stand mount kit includes the following items:



To mount the IFP on the stand, complete the following steps:

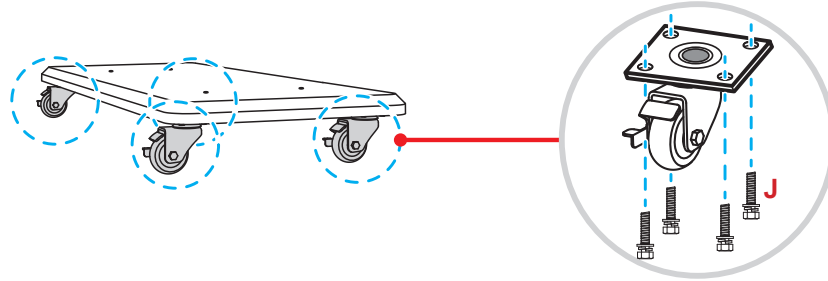
1. Install the dual mounting brackets on the rear of the IFP. Then secure the brackets with four screws (A).



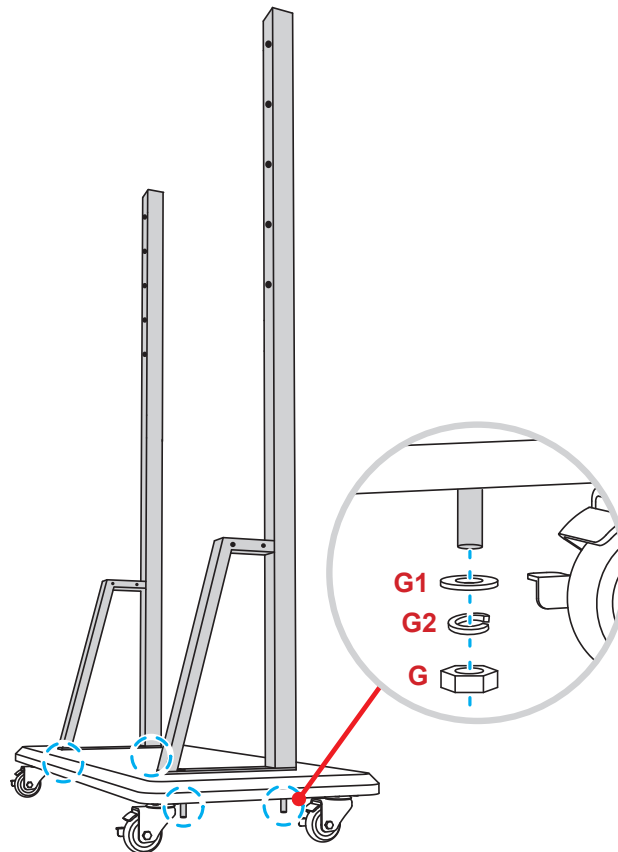
Note: Dual mounting brackets, wall mount, and screws (A) are included in the wall mount kit. Refer to “Wall Mounting Installation” on page 1.

SETUP AND INSTALLATION

2. Flip the stand base so that you can see the screw holes for the wheel, then install the wheel onto its slot and secure it with four screws (**J**).
Repeat the same procedure to install the remaining three wheels.



3. Place the stand base on the stable surface, then install the stand pole onto its slot and secure both standoffs with two nuts (**G**) through the washers (**G2** and **G1**).
Repeat the same procedure to install another stand pole.



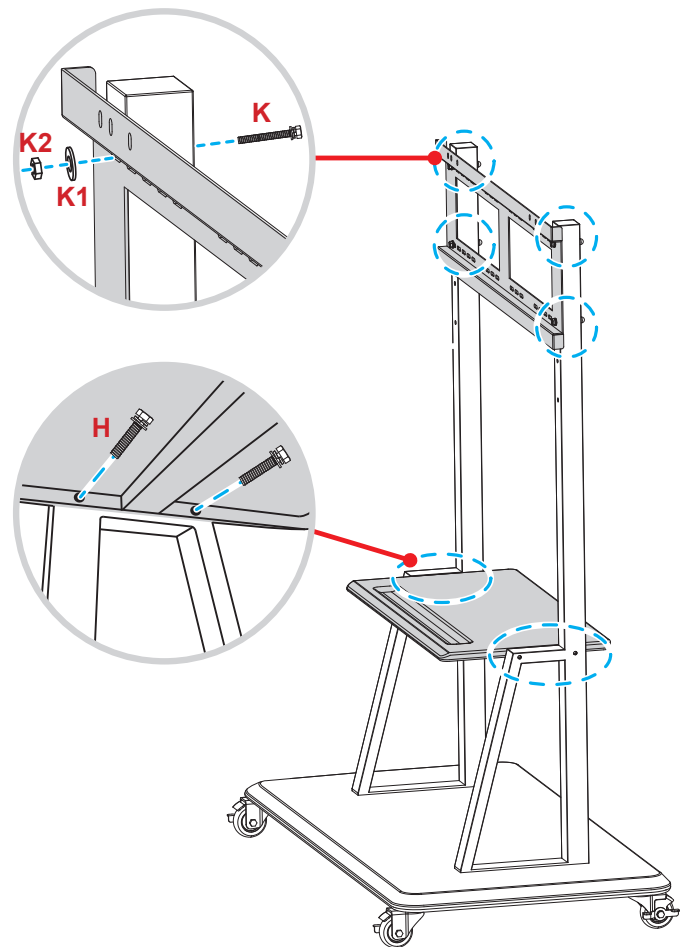
SETUP AND INSTALLATION

4. Align the pen tray with the screw holes on the middle part of the poles, then secure the pen tray with four screws (H).
5. Install the wall mount on the upper part of the poles, then insert the screws (K) through the screw holes from the rear side of the poles. *

*** Please Note:**

- a) For safest use and to avoid risk of tipping, do not mount at highest point on ST01 stand.
- b) Do NOT stand underneath ST01 stand when adjusting mount height

6. Place the washers (K1) and the nuts (K2) into the screws, then tighten the nuts (K2) to secure the wall mount in place.



7. Align and hook the dual mounting brackets to the installed wall mount on the stand poles.

Please Note:

- Do not operate or place the ST01 stand on a sloped surface as this can cause rolling and/or result in injury or harm to self and others.

