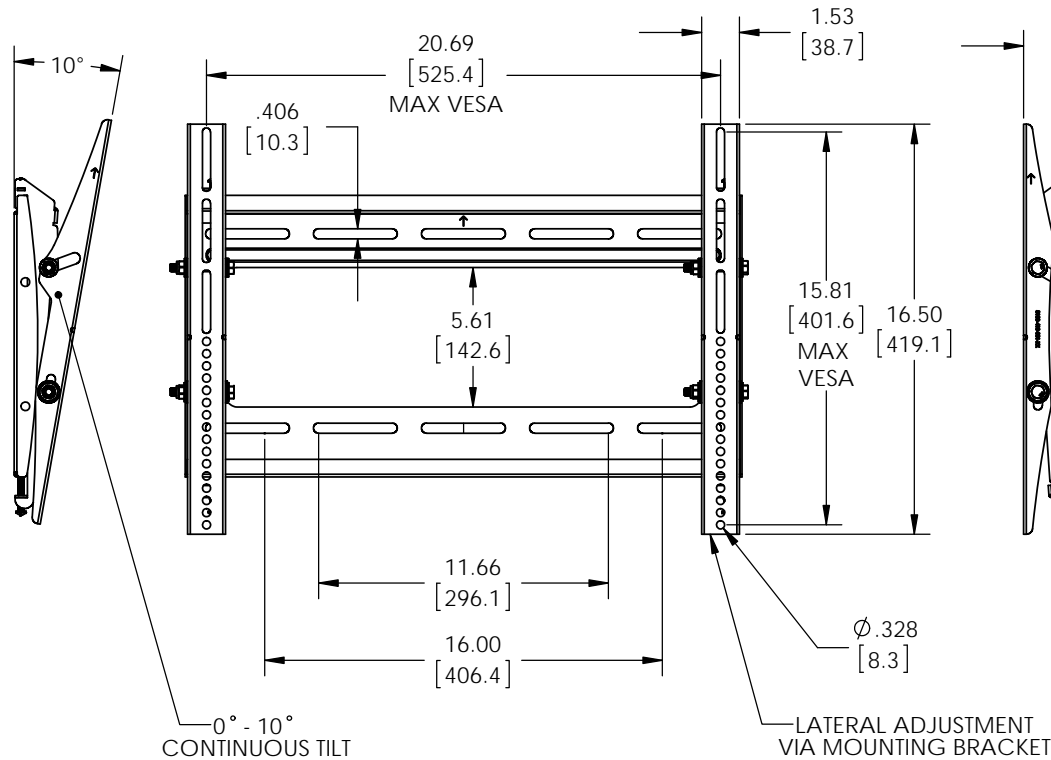
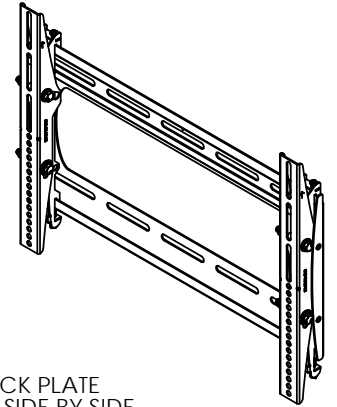
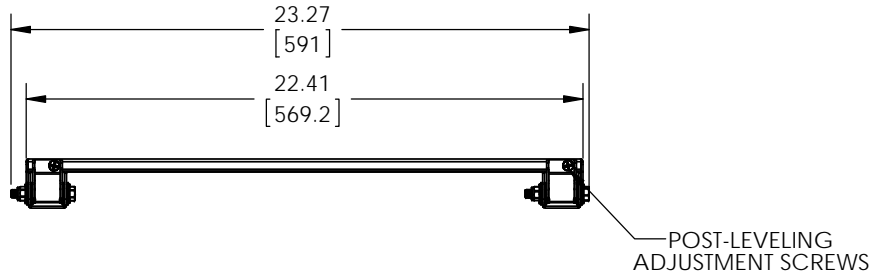
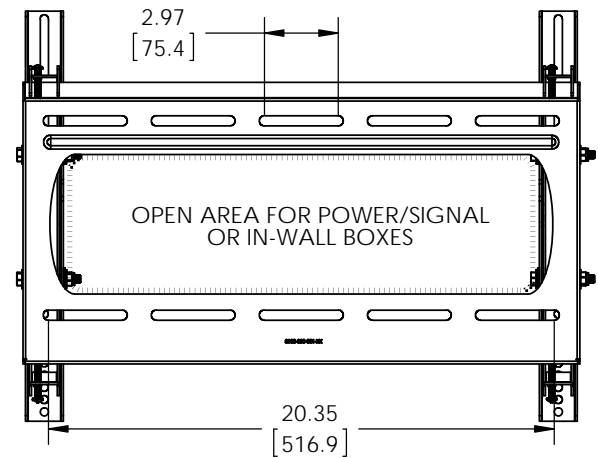


THE INFORMATION CONTAINED IN THIS DRAWING IS THE SOLE PROPERTY OF PREMIER MOUNTS DIVISION OF <PMPI>. ANY REPRODUCTION IN PART OR WHOLE WITHOUT THE WRITTEN PERMISSION OF PREMIER MOUNTS DIVISION OF <PMPI> IS PROHIBITED.



(OPTION) BACK PLATE MAY BE BOLTED SIDE BY SIDE FOR VIDEO WALL APPLICATIONS



WEIGHT CAPACITY: 130 LBS  
 DIMENSION ARE IN INCH AND [MM]

ITEM DESCRIPTION:		TILTING LOW-PROFILE MOUNT	
SIZE	DWG. NO.	P2642T	
B			
SCALE: 1:5		SHEET 1 OF 1	