

# PCC-1-1-2

Cheesebrough Adapter with 1.5 inch Coupler Fitting



LIST \$100.00      Color: Black  
Weight Cap. per Head 160 lb. | 72.6 kg  
Height 1.50 in. | 38.1 mm  
Pole Diameter 0.00 in. | 0 mm

Downloads at Mounts.com

[BID SPEC](#)



[Data Sheet](#)



[Bid Specification Document](#)



160 lb.



+1.50

## DESCRIPTION

The PCC offers strong attachment of mounts to elevated tube-truss systems and mounts directly to either 1.5 inch NPT or 2 inch NPT.

## FEATURES

- Attaches to any mount with an 1.5" NPT threaded mating point
- Works with 2" tube truss
- Mates directly to most adjustable-height suspension adapters

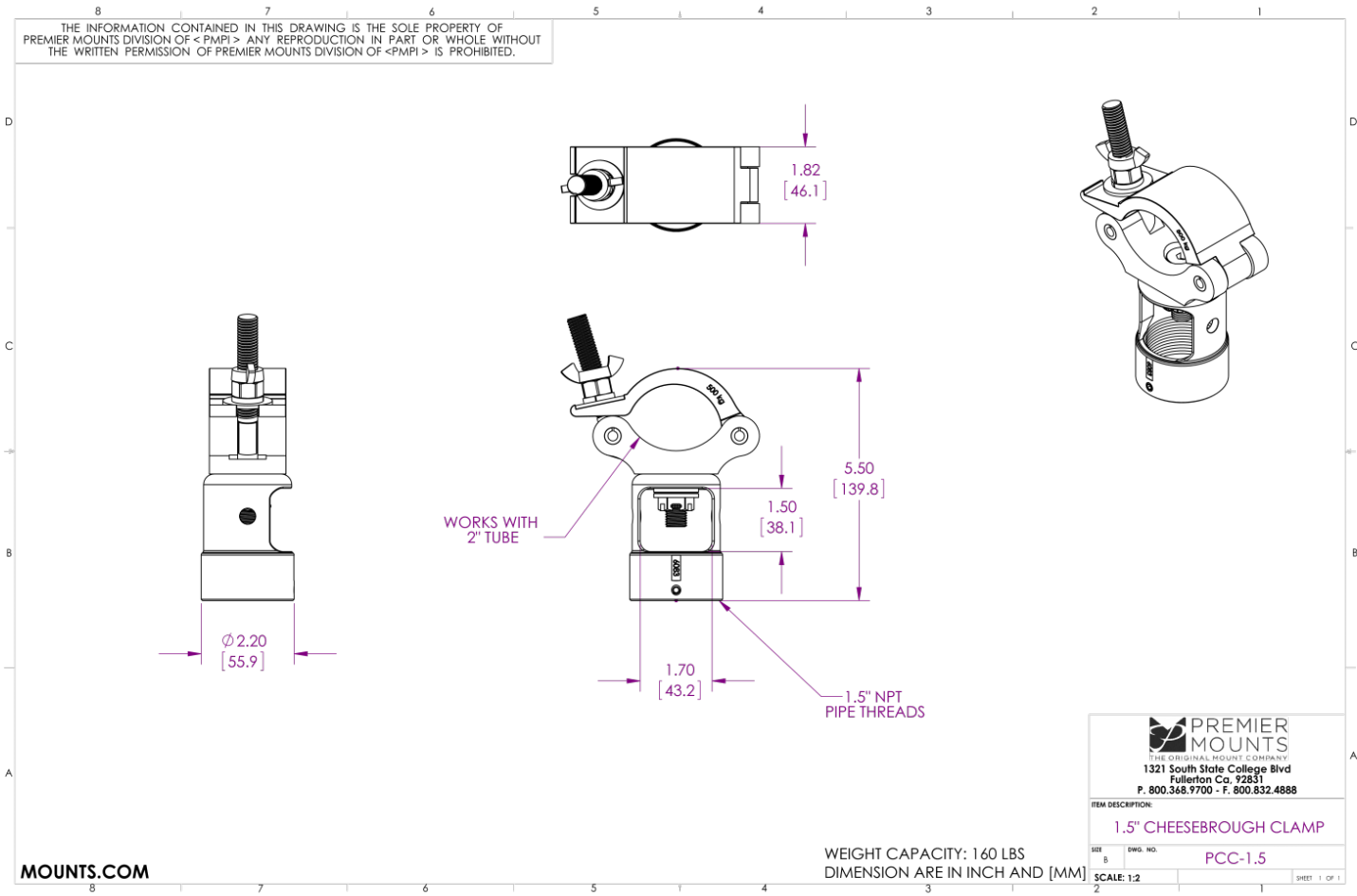
**LIFETIME  
WARRANTY**

# PCC-1-1-2

## Cheesebrough Adapter with 1.5 inch Coupler Fitting

DOWNLOAD FULL SIZE CAD FILES AND DIMENSIONAL DRAWINGS AT MOUNTS.COM

THE INFORMATION CONTAINED IN THIS DRAWING IS THE SOLE PROPERTY OF PREMIER MOUNTS DIVISION OF <PMPI>. ANY REPRODUCTION IN PART OR WHOLE WITHOUT THE WRITTEN PERMISSION OF PREMIER MOUNTS DIVISION OF <PMPI> IS PROHIBITED.



**PREMIER MOUNTS**  
THE ORIGINAL MOUNT COMPANY  
1321 South State College Blvd  
Fullerton Ca. 92831  
P. 800.368.9700 - F. 800.832.4888

ITEM DESCRIPTION:  
**1.5" CHEESEBROUGH CLAMP**

SIZE: B      DWG. NO.: **PCC-1.5**

SCALE: 1:2      SHEET: 1 OF 1