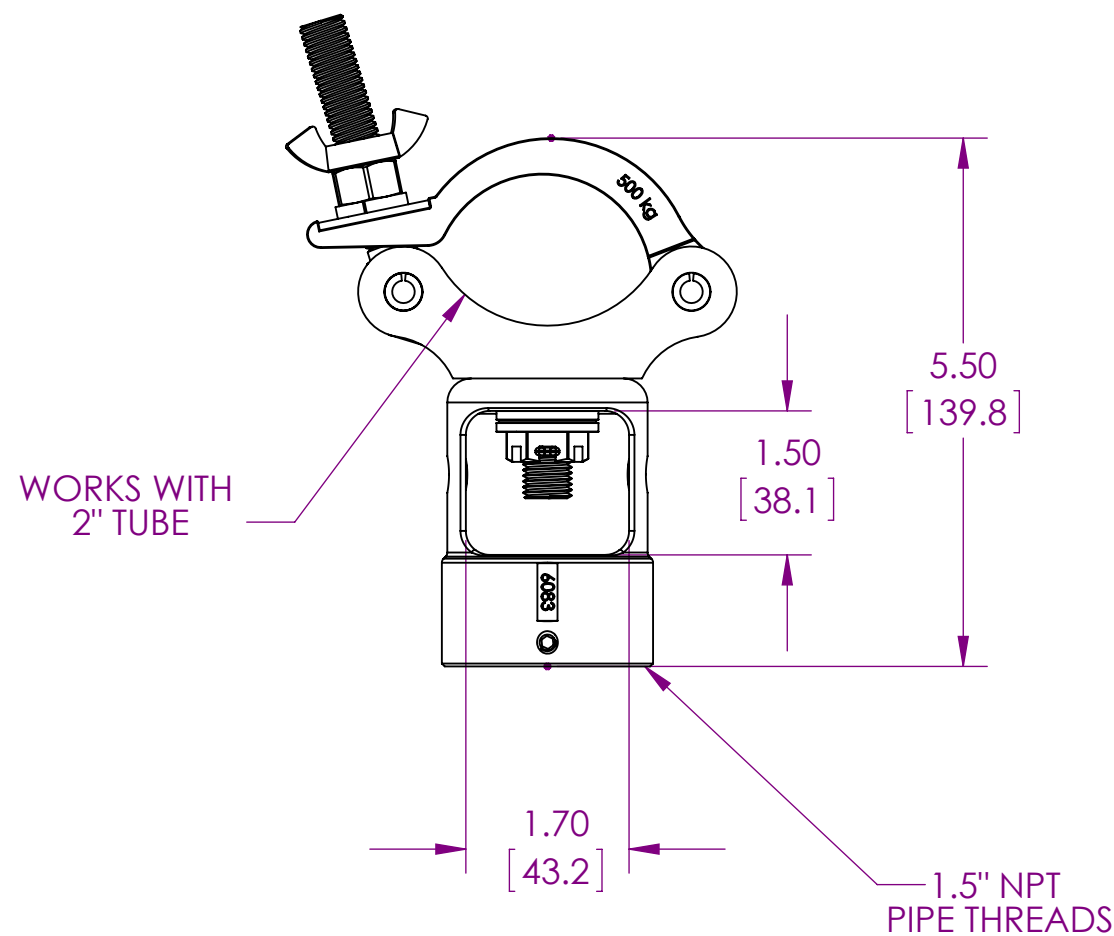
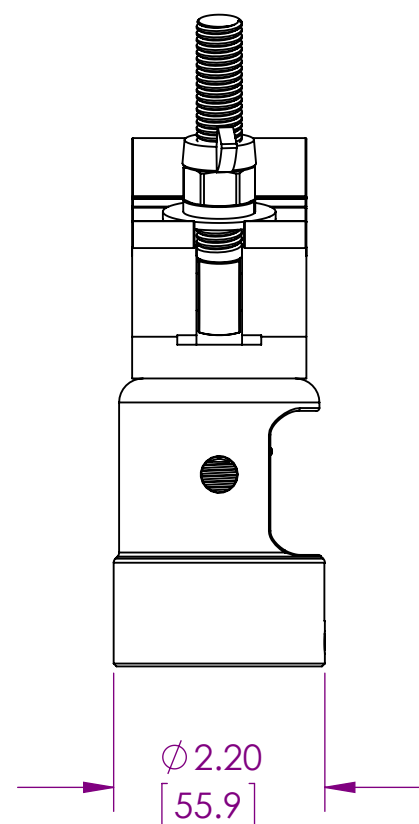
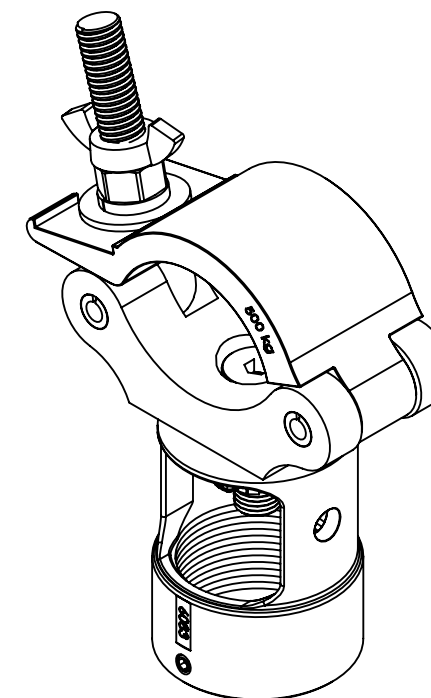
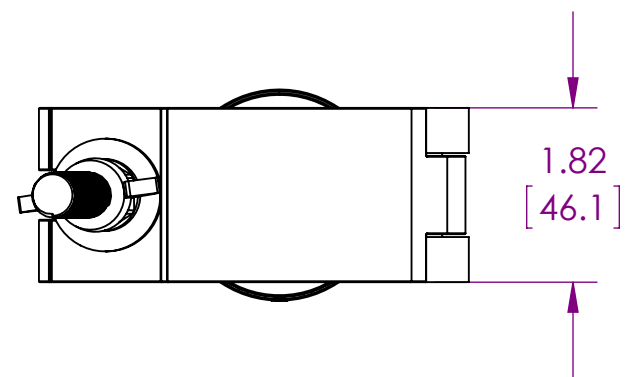


THE INFORMATION CONTAINED IN THIS DRAWING IS THE SOLE PROPERTY OF PREMIER MOUNTS DIVISION OF <PMPI> ANY REPRODUCTION IN PART OR WHOLE WITHOUT THE WRITTEN PERMISSION OF PREMIER MOUNTS DIVISION OF <PMPI> IS PROHIBITED.

D
C
B
A



D
C
B
A



205 Westwood Ave, Long Branch, NJ 07740
Phone: 866-94 BOARDS (26273) / (732)-222-1511
Fax: (732)-222-7088 | E-mail: sales@touchboards.com

MOUNTS.COM

WEIGHT CAPACITY: 160 LBS
DIMENSION ARE IN INCH AND [MM]



ITEM DESCRIPTION:
1.5" CHEESEBROUGH CLAMP

SIZE B DWG. NO. **PCC-1.5**

SCALE: 1:2

SHEET 1 OF 1

8 7 6 5 4 3 2 1