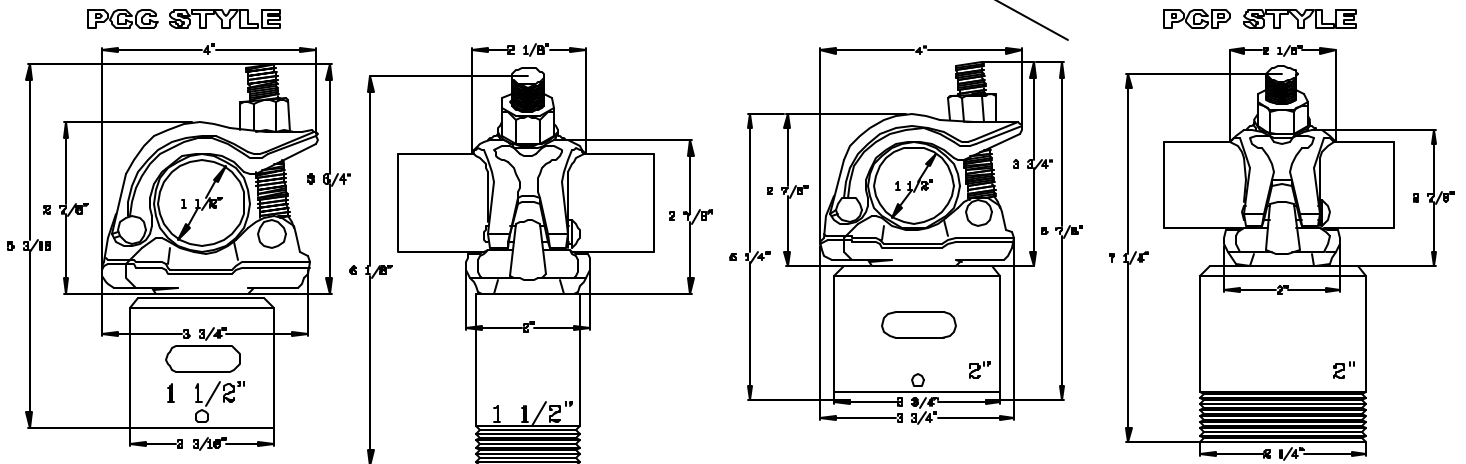
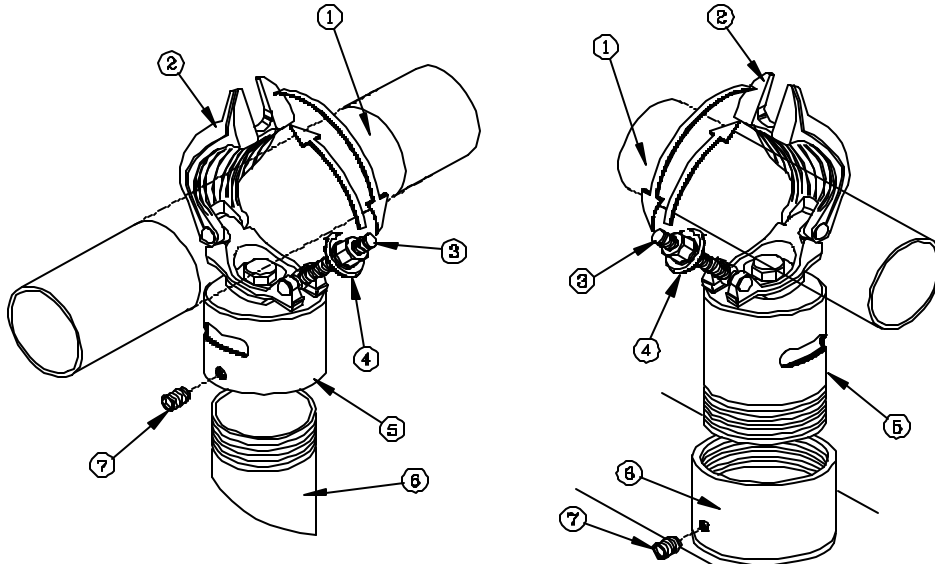


# Installation Instructions

## PCC/PCP CHEESEBROUGH UNIVERSAL PIPE CLAMPS



### **WARNING!**

**The ceiling truss should be capable of supporting a weight of at least five (5) times the projector(s) or monitor(s) weight. If it cannot, the ceiling truss must be reinforced. Proper installation procedures by qualified personnel as outlined in the installation instructions must be adhered to. Failure to do so could result in a serious personal injury.**

#### **PCC 1 1/2" or 2"**

(1). 1 1/2 or 2" Truss tube (2). Cheesebrough upper clamp (3). Security bolt (4). Security nut (5). 1 1/2 or 2" Pipe Coupling (6). 1 1/2 or 2" (NTP) National Tapered Pipe.(customer length requested). (7). allen locking screw.

#### **PCP 1 1/2" or 2"**

(1). 1 1/2 or 2" Truss tube (2). Cheesebrough upper clamp (3). Security bolt (4). Security nut (5). 2" Pipe nipple (6). 1 1/2 or 2" upper mating coupling from mounting devise.

### **Instructions**

**Step 1:** Loosen the Cheesebrough 1/2 securing clamp nut to fully open position.

**Step 2:** Place the upper clamp body over the 1 1/2 or 2" ceiling truss tube and place the 1/2 clamp nut to secure the clamp assembly to the truss.

**Step 3:** Once you have the PCC or PCP at the desired position on the truss tube firmly tighten the 1/2 clamp nut to secure the clamp assembly to the truss.

**Step 4:** Thread the mating 1 1/2 or 2" NTP (National Tapered Pipe) fully into the clamps pipe or coupling assembly.

**Step 5:** Recheck all mating points for security of install.

# Touchboards

205 Westwood Ave, Long Branch, NJ 07740  
 Phone: 866-94 BOARDS (26273) / (732)-222-1511  
 Fax: (732)-222-7088 | E-mail: sales@touchboards.com

