



Anemometers

PCE-WS V 0-10V OUTPUT

PCE-WS A 4-20mA OUTPUT

PCE-WS V/A range of PCE Instruments

Wind Speed sensor designed for different industries and sector

PCE-WS V/A ANALOGUE OUTPUT is an analogue output anemometer, with 0-10V (PCE-WS V) and 4-20mA (PCE-WS A) versions. Output proportional to the wind speed with a full scale of 180 km/h.

Industrial design for extreme environments

Analogue output (4-20mA or 0-10 V)

Stainless Steel bearings

Low consumption

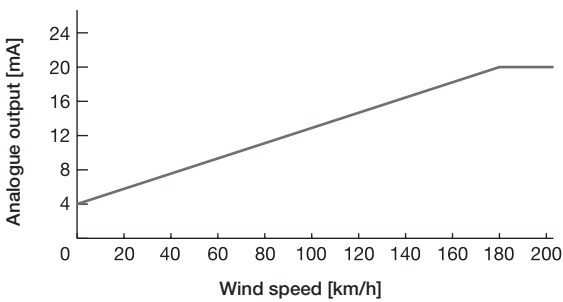
Made in Spain

APPLICATIONS

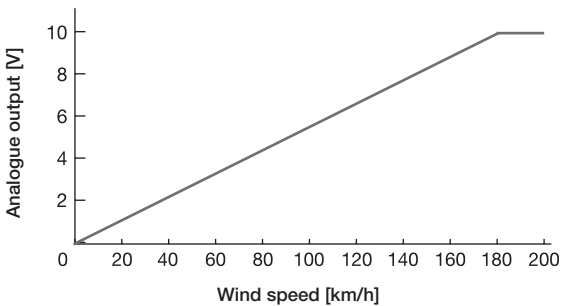
PCE-WS V/A has been designed for industrial applications: cranes, solar panels, wind turbines, weather stations... It is usually connected to devices such as displays (see our references PCE-WSAC 50 series or PCE-DPD-U), PLCs or dataloggers to display the wind speed and/or set alarms to predefined values or to obtain records during predefined periods of time. The wind sensor must be fixed on a vertical position.

WIND SPEED - OUTPUT RATIO

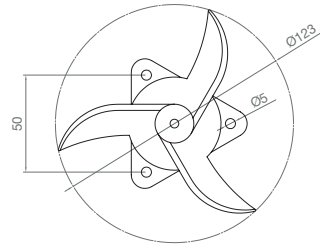
4...20 mA = 0...180 km/h



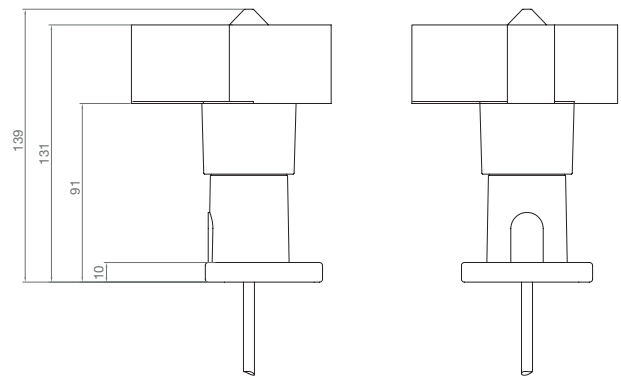
0...10 V = 0...180 km/h



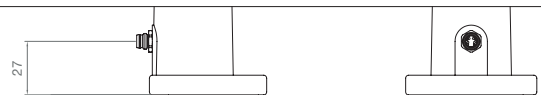
DIMENSIONS



PCE-WS V/A CABLE



PCE-WS V/A M8 LATERAL



TECHNICAL FEATURES

4-20 mA OUTPUT Electrical features

Power supply	12...30 Vdc
Maximum current	<20 mA
Type of output	Analogue (4-20 mA, 2 wires)
Maximum connectable impedance	$R_L < \frac{V_{cc} - 8V}{0.02 A} \Omega$

0-10 V OUTPUT Electrical features

Power supply	15-24 Vdc
Power consumption	<2.5 W
Type of output	Analogue (0-10 V)
Minimum connectable impedance	4k6 Ω

Measurements

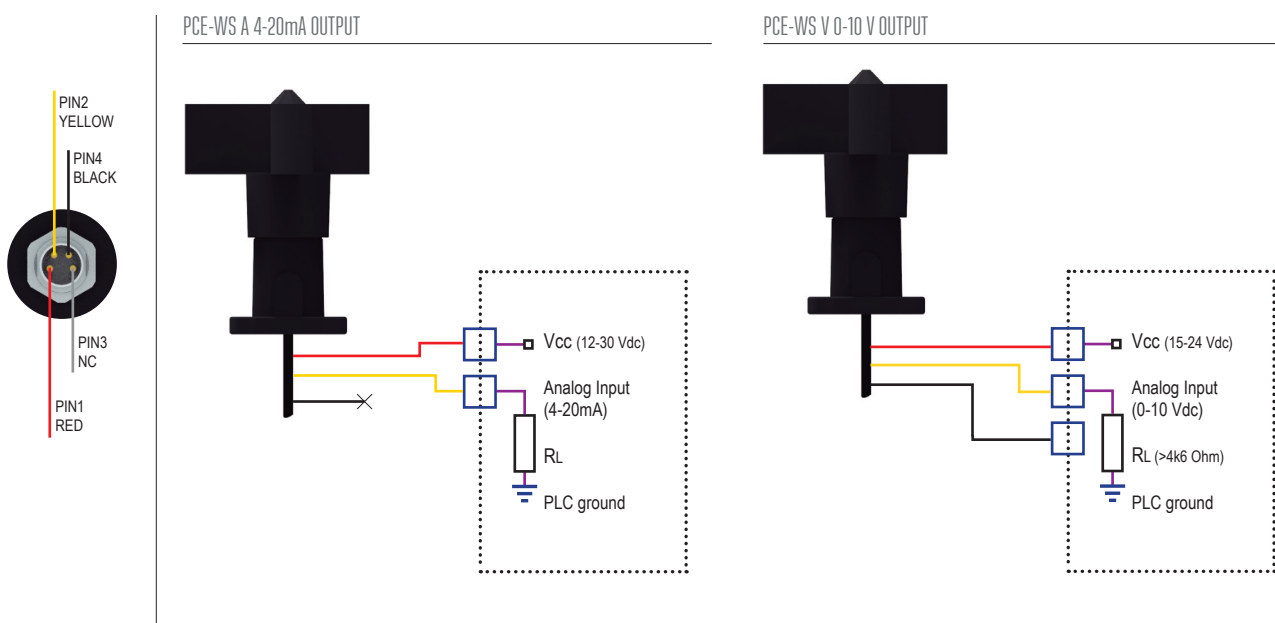
Range	3-180 km/h*
Starting speed	8 km/h
Survival speed	200 km/h
Accuracy	1km/h (3-15 km/h) 3% (15-180 km/h)*

*Depending on version

General features

Material	PA + FV
Bearings	Stainless steel X65Cr13
Type of connection	See references
Weight (with a 20m cable)	1425 g
Weight (without cable)	135 g
Dimensions	125x139 mm
Storage temperature	-35°C +80°C
Working temperature	-20°C +70°C
EMC	EN 61000-6-2:2001 EN 55022:2001, Class B
Protection	IP65 (UNE 20324:1993)

CONNECTION



REFERENCES AND VERSIONS

References

4-20mA OUTPUT

PCE-WS A	Anemometer 4-20mA Output 180 km/h 20m Cable
PCE-WS A/ M8L*	Anemometer 4-20mA Output 180 km/h M8 Lateral

0-10V OUTPUT

PCE-WS V	Anemometer 0-10V Output 180 km/h 20m Cable
----------	--

Other devices of PCE-WS range

Heated 4-20 mA

PCE-WS AH/ M12*	Anemometer 4-20mA Output 180km/h M12 Underside. Heated version. Female connector included.
-----------------	--

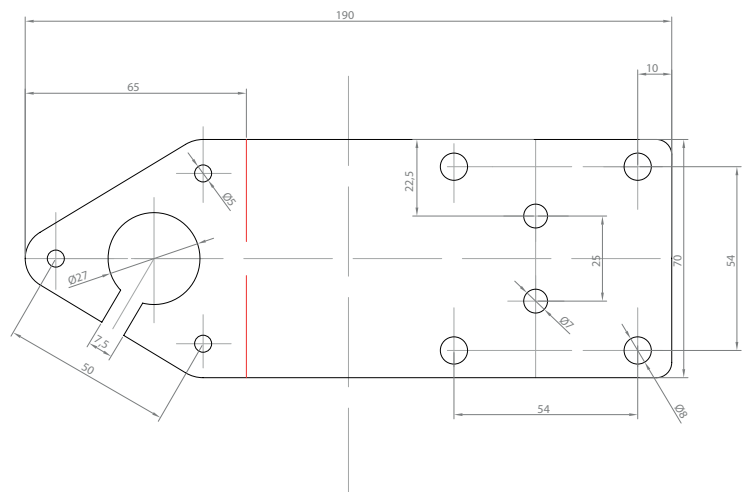
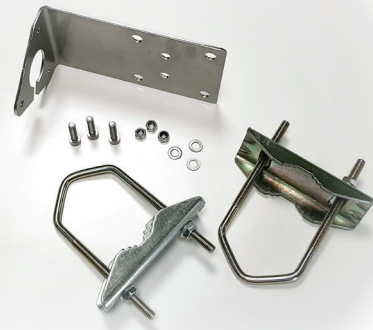
Displays

PCE-WSAC 50 series	Range of anemometer wall mount displays with 2 relay alarms. Different versions available depending on: type of input (0-10V or 4-20mA, optional RS485, power input (110Vac 60Hz, 220Vac 50Hz or 24Vdc) and m/s or mph indication
PCE-DPD-U	Panel display 96x48 IP65 with universal power input and optional output modules (relay, RS485, etc.)

*Check availability and MOQ

Accessories

PCE-WS/ MOUNT	Optional mounting kit for PCE-WS anemometers & PCE-WV wind vanes
---------------	--



Disposal

For the disposal of batteries in the EU, the 2006/66/EC directive of the European Parliament applies. Due to the contained pollutants, batteries must not be disposed of as household waste. They must be given to collection points designed for that purpose.

In order to comply with the EU directive 2012/19/EU devices must be properly disposed of in accordance with this regulation, we give them to a recycling company which disposes of the devices in line with law. For countries outside the EU, batteries and devices should be disposed of in accordance with your local waste regulations. If you have any questions, please contact PCE Instruments.



Contact information for each country and user manuals in various languages can be found on our website: www.pce-instruments.com



All dimensions and sizes are approximate. Specifications and prices are subject to change without notice.