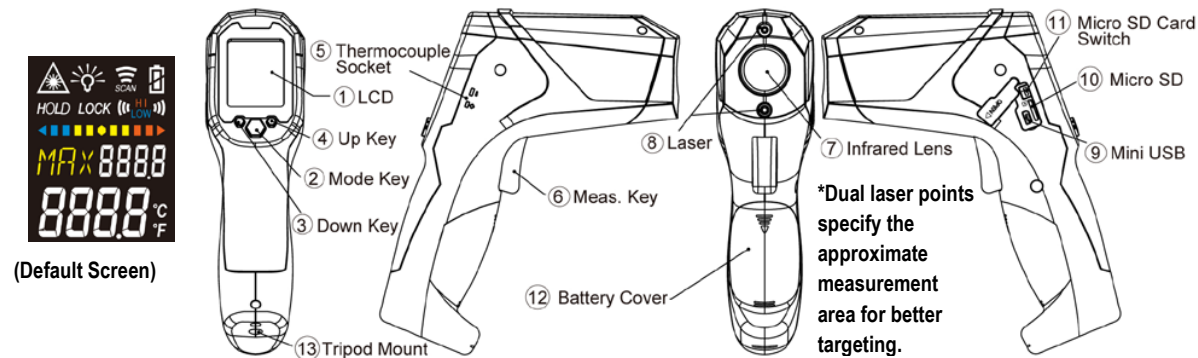


# PCE-895 Thermometer Operating Instructions

## For Model with thermocouple socket

The PCE-895 thermometer is a non-contact infrared thermometer. There are many mathematical modes for the Infrared function. Please remember to keep away from children and don't use it for safety related applications.



Simply aim the thermometer at the measure target with Lens (7) and press Meas. key (6) to display the surface temperature. The Distance:Spot is 60:1. Please make sure the target area is within the field of view.



\*\* Data logger function(SD Card、USB): Please push "Micro SD Card Switch" (11) up to enable the function..

FUNCTION Press Mode key (2) for scrolling more display function as follows.

E	Here will show the emissivity data. (The default emissivity is 0.95.)
E	Press Mode key (2), then press Up key (4) or Down key (3) to set the emissivity, then press Mode key (2) to confirm it. The emissivity can be changed from 0.10 (10E) to 1 (100E).
MAX MIN DIF AVG	Press Mode key (2) for the <b>Maximum (MAX), Minimum (MIN), Different between MAX and MIN (DIF) and Average (AVG) modes. During the measurement, the special modes reading will be displayed beside the mode icon.</b>
HAL LAL	Press Up key (4) or Down key (3) to change the <b>High Alarm (HAL) or Lo Alarm (LAL)</b> , then press Meas. key (6) to confirm it. For example: When the reading 26.9°C < LAL 27°C, the Low icon will flash and you will hear a beep sound.
PRB	Connect the thermocouple with Thermocouple socket (5) and put the probe in/on the target, the thermometer will display the temperature automatically without pressing any button. To see the minimum or maximum data during the probe measurement, please hold down the Up key (4) or Down key (3). ⚠ After measure high temp, the probe may remain HOT for a while.
M00	After taking the temperature, press Mode key (2) for the <b>Memory (M00)</b> , then press Meas. key (6) to save the measurement. Under the <b>Memory (M00)</b> , press Up key (4) or Down key (3) key to display the record.

\*\* The thermometer will automatically shut off if left idle for more than 60sec., unless in PRB mode. (In PRB mode, it will shut off if left idle for more than 12 minutes.)

### ADD VALUE

In E, MAX, MIN, DIF, AVG mode:	Press Up key (4) for <b>LOCK mode ON/OFF</b> . The lock mode is particularly useful for continuous monitoring of temperatures for up to 60 minutes. Press Down key (3) for °C or °F transferred.
In MAX, MIN mode: Hold on the Meas. key (6)	ows <b>RED</b> color when the reading is close to maximum value, and shows <b>BLUE</b> when close to minimum. While the temperature is between the maximum and minimum, the bar will display in <b>YELLOW</b> . 
In all modes: First hold on the Meas. key (6)	LCD Backlight: always on. and press Down key (3) for <b>laser function ON/OFF</b> . 

### ⚠ CAUTION

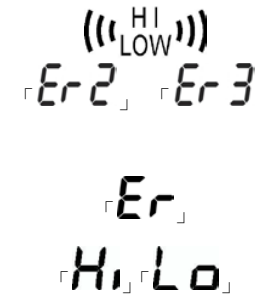
1. WHEN DEVICE IS IN USE, DO NOT LOOK DIRECTLY INTO THE LASER BEAM—PERMANENT EYE DAMAGE MAY RESULT.
2. USE EXTREME CAUTION WHEN OPERATING THE LASER.
3. NEVER POINT THE DEVICE TOWARDS ANYONE'S EYES.
4. KEEP OUT OF REACH OF ALL CHILDREN.

### STORAGE & CLEANING

It should be stored at room temperature. The sensor lens is the most delicate part of the thermometer. The lens should be kept clean at all times, care should be taken when cleaning the lens using only a soft cloth or cotton swab with water or medical alcohol, allowing the lens to fully dry before using the thermometer. Do not submerge any part of the thermometer.

### LCD ERROR MESSAGES

The thermometer incorporates visual diagnostic messages as follows:



'Hi' or 'Lo' is displayed when the temperature being measured is outside of the settings of HAL and LAL.

'Er2' is displayed when the thermometer is exposed to rapid changes in the ambient temperature. 'Er3' is displayed when the ambient temperature exceeds 0°C (32°F) or +50°C (122°F). The thermometer should be allowed plenty of time (minimum 30 minutes) to stabilize to the working/room temperature.

**Error 5-9**, for all other error messages it is necessary to reset the thermometer. To reset it, turn the instrument off, remove the battery and wait for a minimum of one minute, reinsert the battery and turn on. If the error message remains please contact the Service Department for further assistance.

'Hi' or 'Lo' is displayed when the temperature being measured is outside of the measurement range.

### BATTERIES

The thermometer incorporates visual low battery indication as follows:



'Battery OK': measurements are possible



'Battery Low': battery needs to be replaced, measurements are still possible



'Battery Exhausted': measurements are not possible

⚠ When the 'Low Battery' icon indicates the battery is low, the battery should be replaced immediately with AA, 1.5V batteries. Please note: It is important to turn the instrument off before replacing the battery otherwise the thermometer may malfunction.

⚠ Dispose of used battery promptly and keep away from children.

### SPECIFICATION PCE-895

Item	Non-contact Infrared Scan function	Thermocouple Probe Scan function (K type; probe not included.)
Measurement Range	-35 to +1600 °C (-31 to +2912 °F)	-64 to +1400°C (-83.2 to +2552°F)
Operating Range	0 to +50°C (32 to +122°F)	
Accuracy(Tamb=23±3°C)	Tobj=-35~0: ±(2°C+0.05/degC)°C, Tobj=0~1600: ±2% of reading or 2°C (4°F) whichever is greater	±1% of reading or 1°C (1.8°F) whichever is greater (Test under Tamb=23±6°C)
Emissivity Range	0.95 default – adjustable 0.1 to 1 step .01	
Resolution	0.1°C/0.1°F at -83.2 to 999.9(°C/°F), otherwise 1°C/1°F	
Spectral Range	8~14µm	
Response Time (90%)	1sec	
Distance:Spot	60:1 (90% energy covered)	
Internal Memory	Detailed 24 Memories with Temperature & Emissivity	
External Memory Type	Support 8G micro SD card (Recommend to use the attached SD card). If SD card data logger is failed, please reset the switch (11)	
USB Function	Please download the program from CD. (CD & USB cable are enclosed with the package)	
Output Interface	SPI, USB, SD card	
Battery Life	Typical 14, min 10 hours continuous use (Alkaline, with laser and backlight)	
Dimensions	202.99*176.07*58.31 mm (7.99*6.93*2.30 inch)	
Weight	401 grams (14.14 oz) including batteries (AA*2pcs)	

Note: Under the electromagnetic field of 3V/m from 180 to 600 MHz, the maximum error is 10 °C (18 °F).

⚠ **Caution: The measure range is for thermometer only. User should choose proper probe types for different kinds of application. Please make sure the target to be measured will not exceed the temperature range of the probe to avoid permanent damage of the thermocouple probe.**

⚠ **Caution: To avoid electric shock and thermometer damage, do not measure live circuit where voltage exceeding 24V AC RMS or 60V DC with the thermocouple probe.**

⚠ **EMC/RFI:** Readings may be affected if the unit is operated within radio frequency electromagnetic field strength of approximately 3 volts per meter, but the performance of the instrument will not be permanently affected.