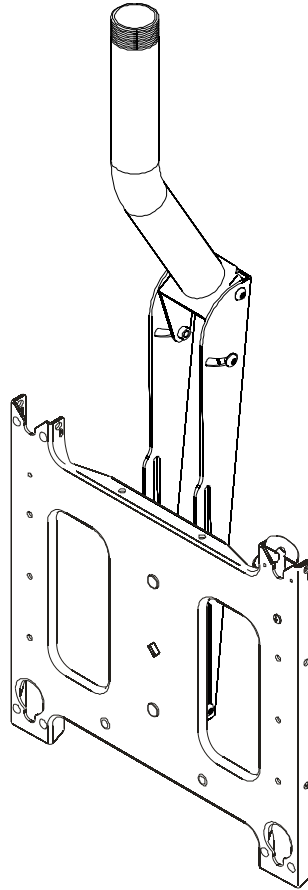


---

# INSTALLATION INSTRUCTIONS

---



---

## Large Ceiling Mount with Angled Column

---

**Touchboards**

205 Westwood Ave, Long Branch, NJ 07740  
Phone: 866-94 BOARDS (26273) / (732)-222-1511  
Fax: (732)-222-7088 | E-mail: [sales@touchboards.com](mailto:sales@touchboards.com)

---

**CHIEF**<sup>®</sup>  
Our Mounts. Your Vision.

**PCM Series**

---

## DISCLAIMER

Milestone AV Technologies and its affiliated corporations and subsidiaries (collectively "Milestone"), intend to make this manual accurate and complete. However, Milestone makes no claim that the information contained herein covers all details, conditions or variations, nor does it provide for every possible contingency in connection with the installation or use of this product. The information contained in this document is subject to change without notice or obligation of any kind. Milestone makes no representation of warranty, expressed or implied, regarding the information contained herein. Milestone assumes no responsibility for accuracy, completeness or sufficiency of the information contained in this document.

Chief® and ClickConnect™ are registered trademarks of Milestone AV Technologies. All rights reserved.



## IMPORTANT SAFETY INSTRUCTIONS!



**WARNING:** A WARNING alerts you to the possibility of serious injury or death if you do not follow the instructions.



**CAUTION:** A CAUTION alerts you to the possibility of damage or destruction of equipment if you do not follow the corresponding instructions.



**WARNING:** Failure to read, thoroughly understand, and follow all instructions can result in serious personal injury, damage to equipment, or voiding of factory warranty! It is the installer's responsibility to make sure all components are properly assembled and installed using the instructions provided.



**WARNING:** Failure to provide adequate structural strength for the installation of this kit can result in serious personal injury or damage to equipment! It is the installer's responsibility to make sure the structure to which this mount is attached can support five times the combined weight of all equipment.



**WARNING:** Exceeding the weight capacity can result in serious personal injury or damage to equipment! It is the installer's responsibility to make sure the combined weight of all components attached to this mount does not exceed 200 lbs (91 kg).

- The weight capacity of the PCM2000 may be LIMITED to the lowest weight capacity of any other component located between the PCM2000 and the supporting structure.



**WARNING:** The installer is responsible for verifying that the Listed fixture (coupler or ceiling plate - not included) has 1 1/2" NPT or NPSM threads following ANSI/ASME B1.20.1, and is capable of supporting the maximum weight capacity of the PCM2000 as stated previously.



**WARNING:** Use this mounting system only for its intended use as described in these instructions. Do not use attachments not recommended by the manufacturer.



**WARNING:** Never operate this mounting system if it is damaged. Return the mounting system to a service center for examination and repair.



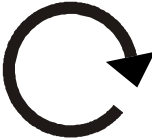

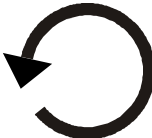



**WARNING:** Do not use this product outdoors.

**NOTE:** The PCM Series includes:

- Accessory Model PCM2000B (to be used with Listed Chief accessory PSBU interface bracket--not included).

**--SAVE THESE INSTRUCTIONS--**

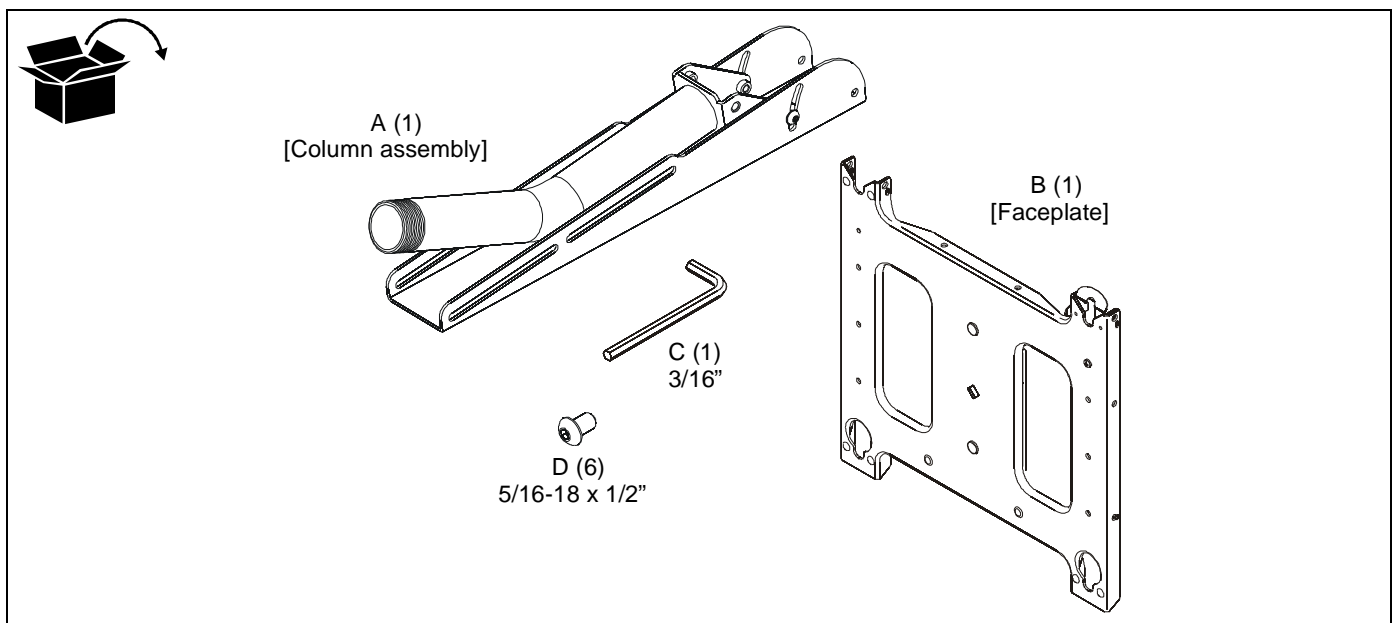
**LEGEND**

	<b>Tighten Fastener</b>		<b>Adjust</b>
	Apretar elemento de fijación		Ajustar
	Befestigungsteil festziehen		Einstellen
	Apertar fixador		Ajustar
	Serrare il fissaggio		Regolare
	Bevestiging vastdraaien		Afstellen
Serrez les fixations	Ajuster		
Сожмите Застежку	Приспособьтесь		
	<b>Loosen Fastener</b>		<b>Hex-Head Wrench</b>
	Aflojar elemento de fijación		Llave de cabeza hexagonal
	Befestigungsteil lösen		Sechskantschlüssel
	Desapertar fixador		Chave de cabeça sextavada
	Allentare il fissaggio		Chiave esagonale
	Bevestiging losdraaien		Zeskantsleutel
Desserrez les fixations	Clé à tête hexagonale		
Ослабьте Застежку	Главный ведьмой Рывок		
	<b>Open-Ended Wrench</b>		<b>Phillips Screwdriver</b>
	Llave de boca		Destornillador Phillips
	Gabelschlüssel		Kreuzschlitzschraubendreher
	Chave de bocas		Chave de fendas Phillips
	Chiave a punta aperte		Cacciavite a stella
	Steeksleutel		Kruiskopschroevendraaier
Clé à fourche	Tournevis à pointe cruciforme		
Открытый Рывок	Отвертка		

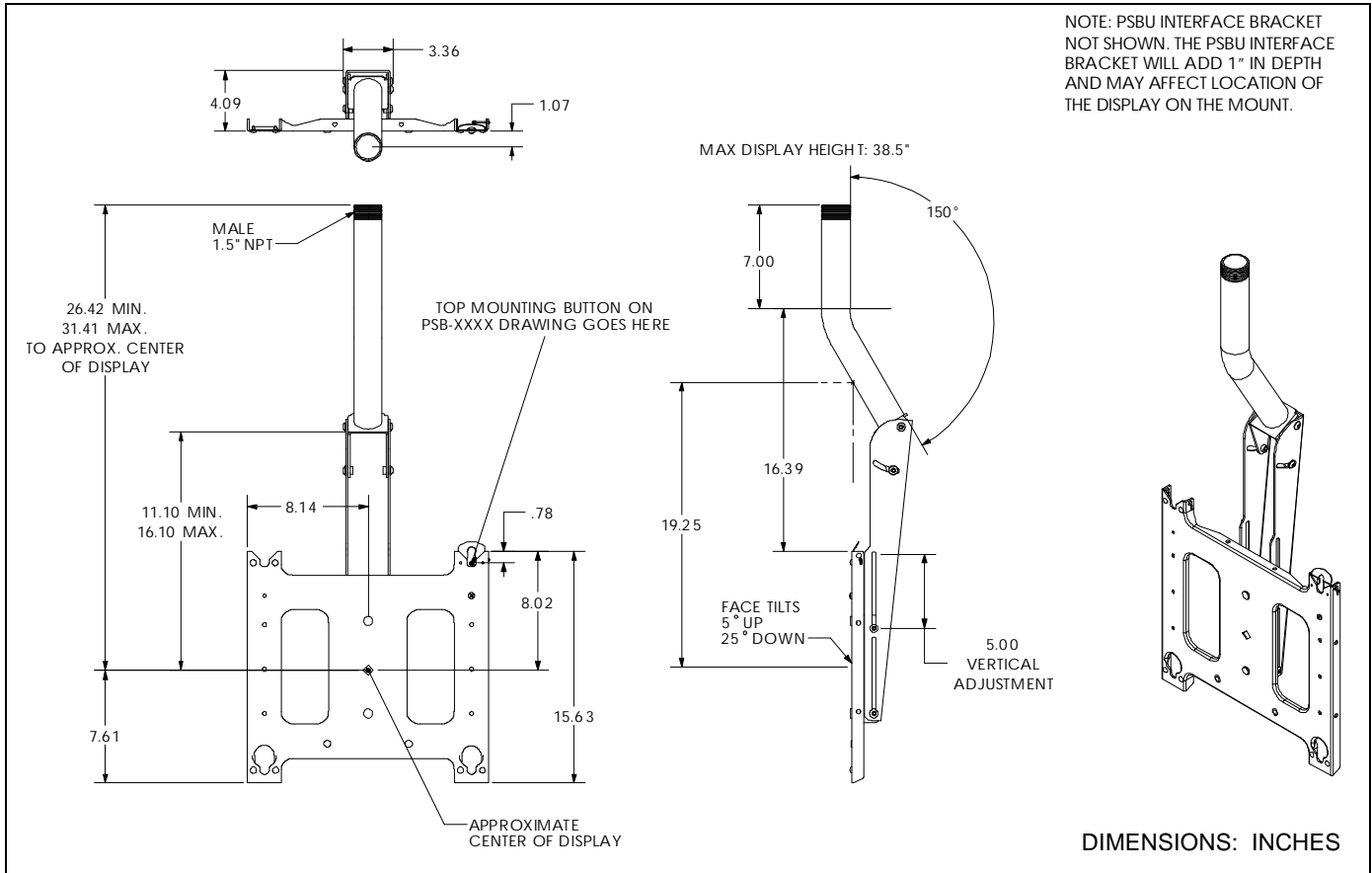
**TOOLS REQUIRED FOR INSTALLATION**



**PARTS**



**DIMENSIONS**



### Mount Assembly and Installation

**IMPORTANT !** : These installation instructions assume that the Listed fixture (coupler or ceiling plate - not included) has 1 1/2" NPT or NPSM threads following ANSI/ASME B1.20.1, and has been properly installed and is in place.

1. Fold column out until column mounting bracket rests against faceplate mounting bracket. (See Figure 1)
2. Secure column against faceplate mounting bracket using 3/16" hex wrench (C) and two 5/16-18 x 1/2" button head cap screws (D). (See Figure 1)
3. Tighten all hardware.

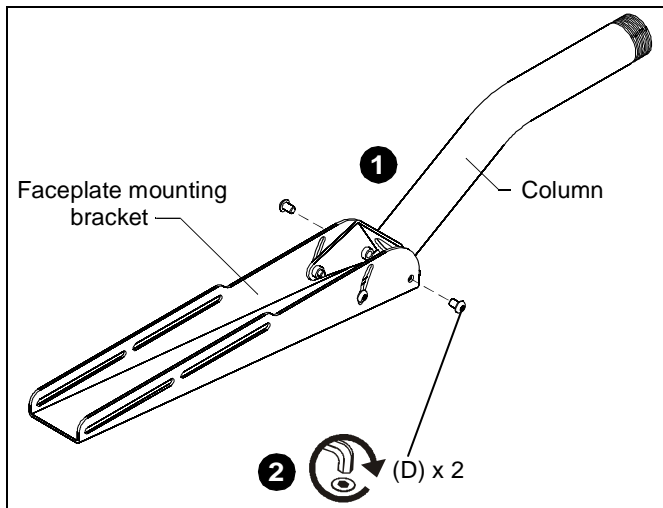


Figure 1

4. Thread the column assembly (A) into fixture (coupler or ceiling plate - not included), with a minimum of four threads engaged.
5. Secure faceplate (B) to faceplate mounting bracket using 3/16" hex wrench (C) and four 5/16-18 x 1/2" button head cap screws (D). (See Figure 2)

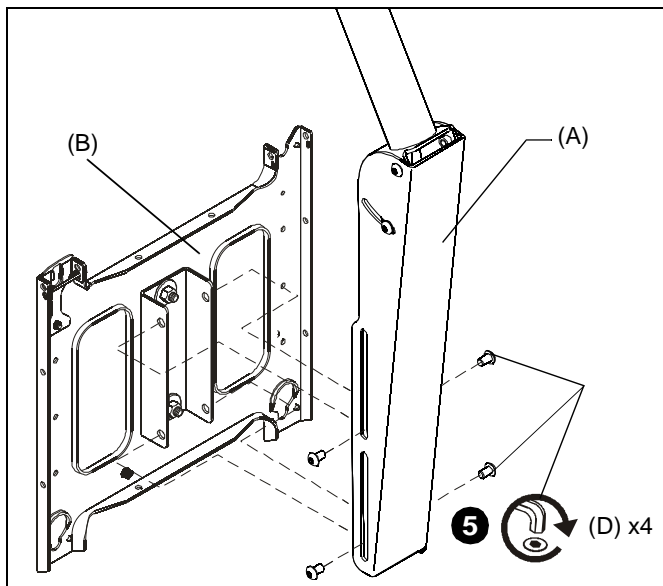


Figure 2

### Display Installation

1. Attach PSBU interface bracket (not included) to the display following instructions included with the interface bracket.



**WARNING:** IMPROPER INSTALLATION CAN LEAD TO MOUNT FALLING CAUSING SEVERE PERSONAL INJURY OR DAMAGE TO EQUIPMENT. Displays can weigh in excess of 40 lbs (18.1kg). ALWAYS use two people and proper lifting techniques when installing display.



**WARNING:** IMPROPER INSTALLATION CAN LEAD TO MOUNT FALLING CAUSING SEVERE PERSONAL INJURY OR DAMAGE TO EQUIPMENT. Make sure mounting buttons on display are properly seated in mounting holes in faceplate.

2. While supporting both sides of display, align four mounting buttons on interface bracket with four mounting holes in faceplate. (See Figure 3)
3. Lower display into place listening for audible "click" to ensure recessed area of mounting buttons are properly seated in lower area of mounting holes, and "click lock" mechanism has engaged. (See Figure 3) and (See Figure 4)

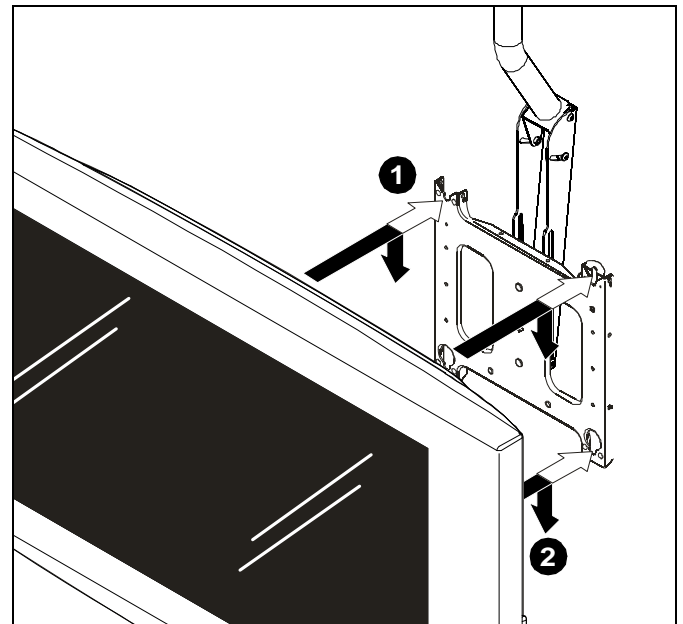


Figure 3

**NOTE:** Holes are provided in the faceplate for use with a padlock or similar locking device, if desired. In addition, the pin and nut may be removed from the upper holes and moved to the lower holes for use as a more permanent locking device. (See Figure 4)

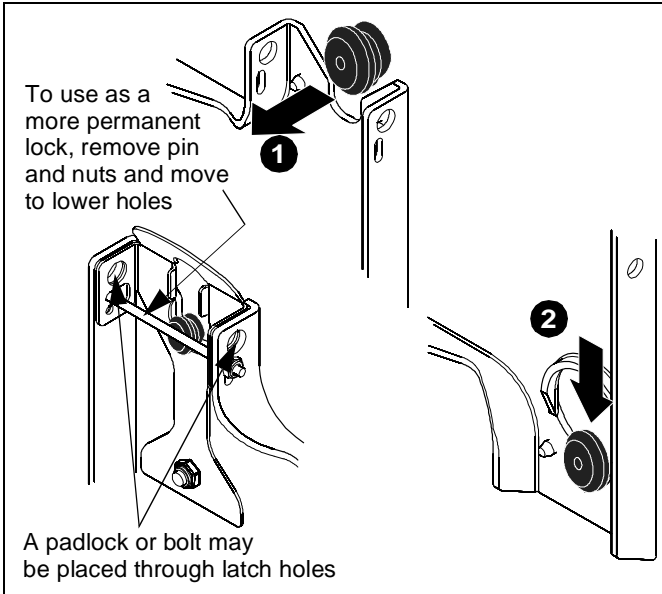


Figure 4

**Adjustments**

The PCM is designed to accommodate 5" of display height adjustment, 4° right and left display roll adjustment, and 15° down/5° up display pitch (Tilt) adjustment.

Remove display before performing adjustments.

**Display Height Adjustment**

To adjust display height:

1. Loosen four 5/16-18 button head cap screws using 3/16" hex wrench (C). (See Figure 5)
2. Adjust faceplate to desired position. (See Figure 5)
3. Tighten four 5/16-18 button head cap screws using 3/16" hex wrench (C). (See Figure 5)

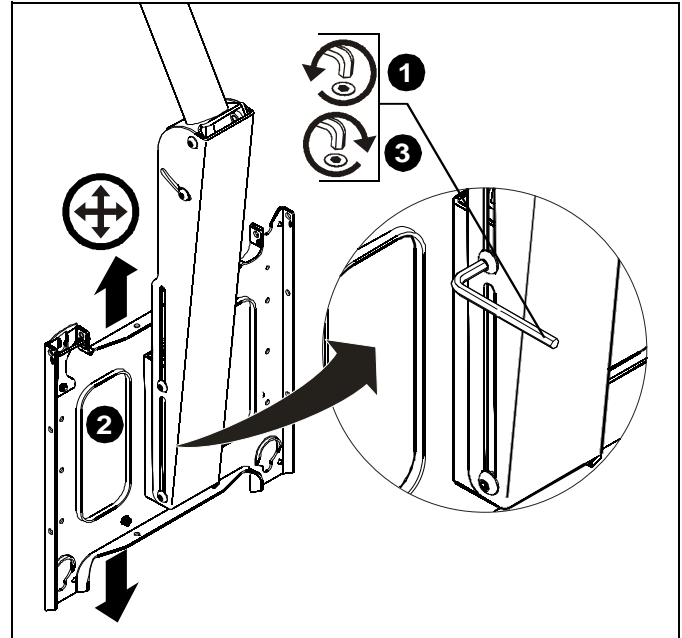


Figure 5

**Display Roll Adjustment**

To adjust display roll:

1. Loosen 3/8-16 Nylock nut. (See Figure 6)
2. Adjust faceplate to desired position. (See Figure 6)
3. Tighten 3/8-16 Nylock nut. (See Figure 6)

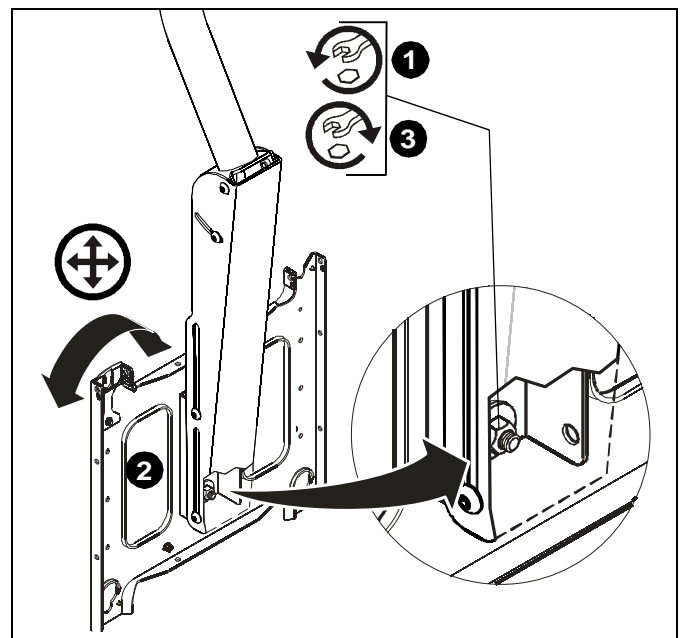


Figure 6

## Display Pitch (Tilt) Adjustment

To adjust display pitch:

1. Loosen four 5/16-18 button head cap screws.  
(See Figure 7)
2. Adjust to desired tilt position. (See Figure 7)
3. Tighten four 5/16-18 button head cap screws.  
(See Figure 7)

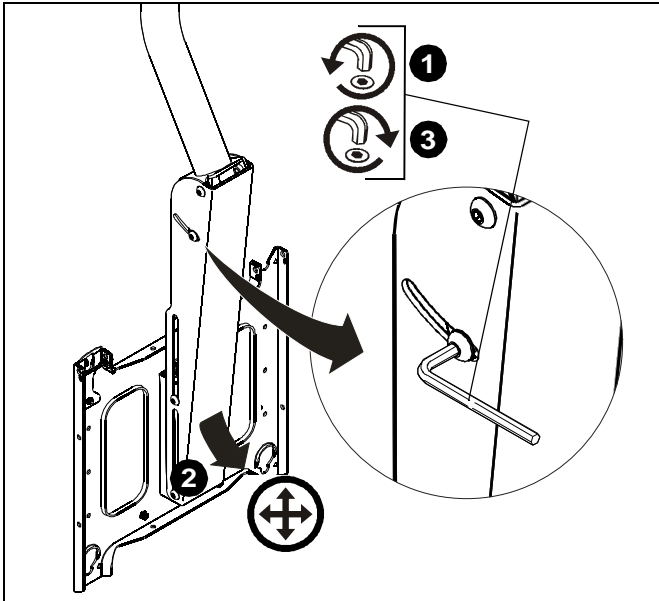


Figure 7



Our Mounts. **Your Vision.**

Chief, a products division of  
Milestone AV Technologies

8800-002595 Rev00  
©2014 Milestone AV Technologies  
[www.chiefmfg.com](http://www.chiefmfg.com)  
05/14

<b>USA/International</b>	<b>A</b> 6436 City West Parkway, Eden Prairie, MN 55344 <b>P</b> 800.582.6480 / 952.225.6000 <b>F</b> 877.894.6918 / 952.894.6918
<b>Europe</b>	<b>A</b> Franklinstraat 14, 6003 DK Weert, Netherlands <b>P</b> +31 (0) 495 580 852 <b>F</b> +31 (0) 495 580 845
<b>Asia Pacific</b>	<b>A</b> Office No. 1 on 12/F, Shatin Galleria 18-24 Shan Mei Street Fotan, Shatin, Hong Kong <b>P</b> 852 2145 4099 <b>F</b> 852 2145 4477

