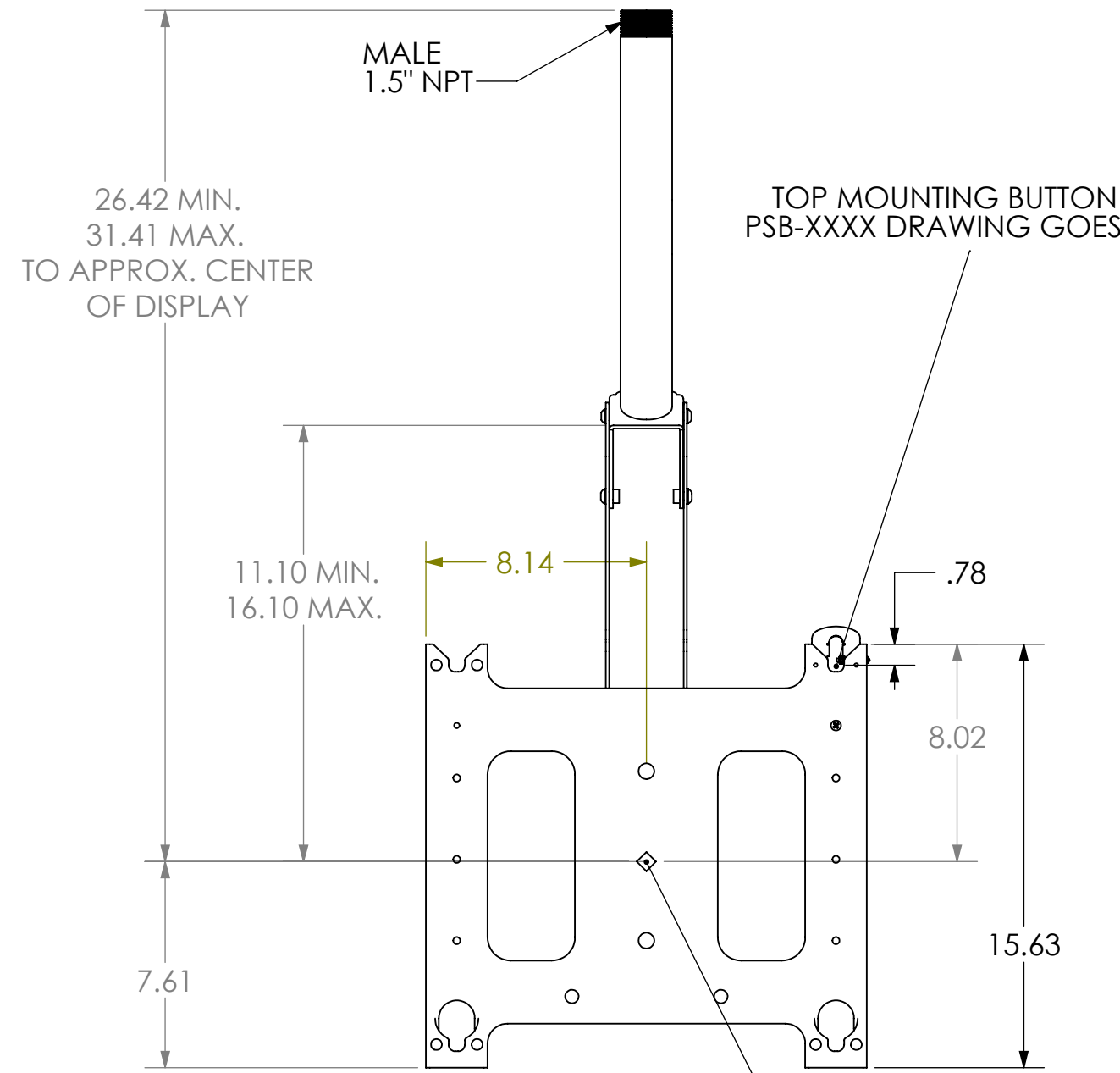
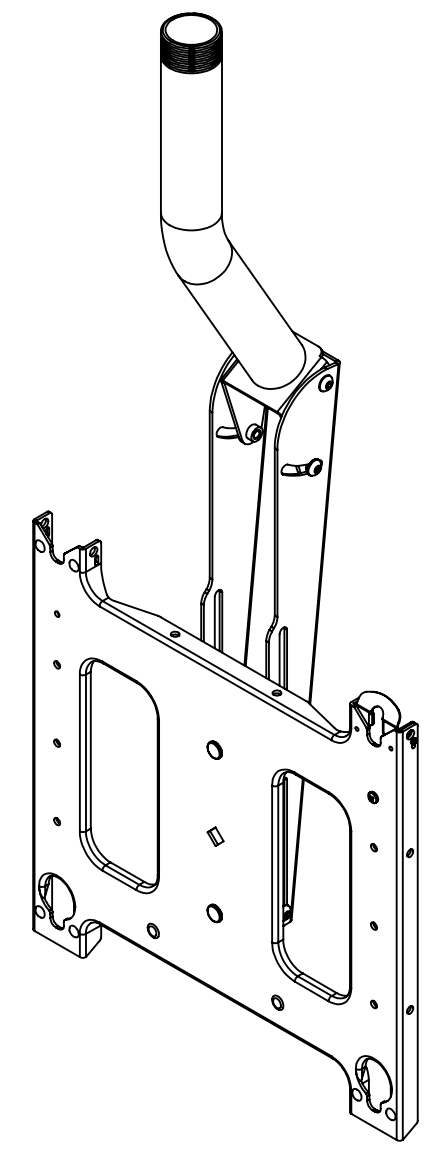
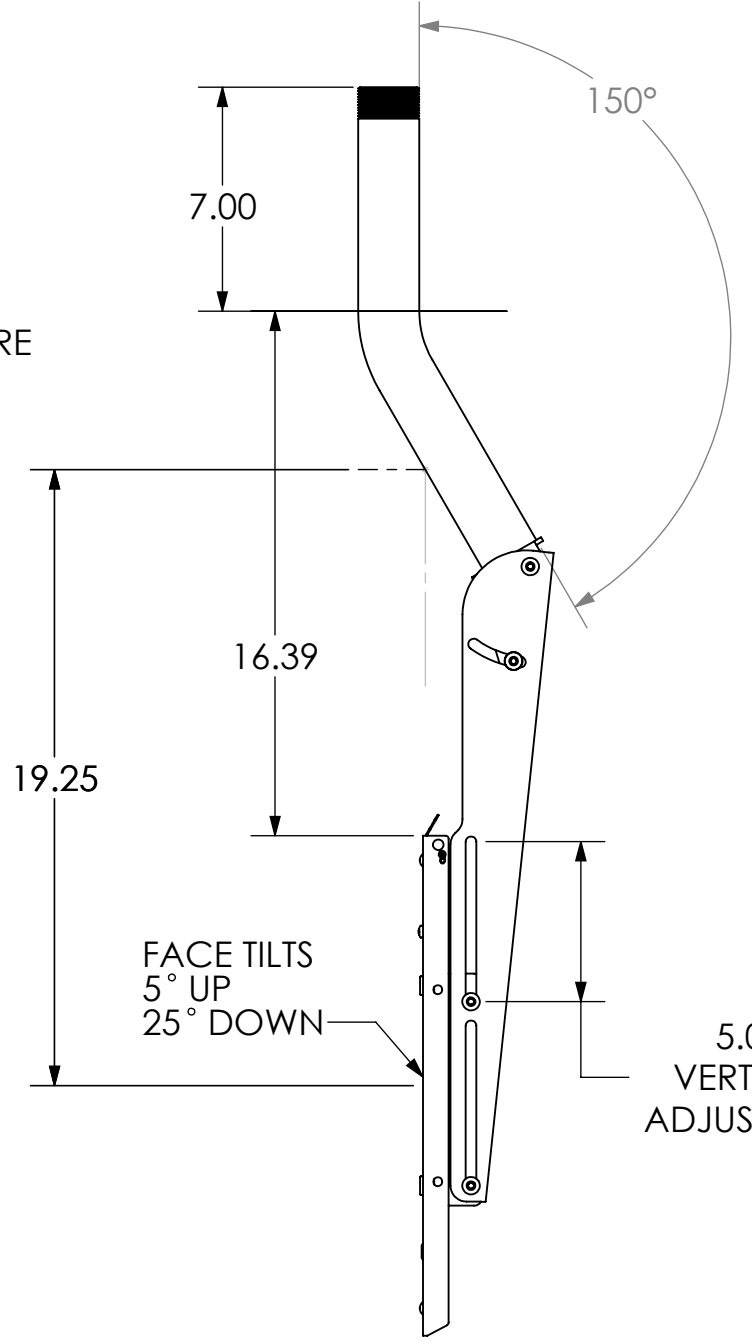


NOTE: CUSTOM INTERAFCE BRACKET NOT SHOWN. THE CUSTOM INTERFACE BRACKET NEEDED FOR YOUR DISPLAY WILL ADD BETWEEN 1/2" AND 2" IN DEPTH AND MAY AFFECT LOCATION OF DISPLAY ON THE MOUNT.

SEE PSB-XXXX DRAWING ALSO.

MAX DISPLAY HEIGHT: 38.5"



TOP MOUNTING BUTTON ON PSB-XXXX DRAWING GOES HERE

FACE TILTS
5° UP
25° DOWN

APPROXIMATE CENTER OF DISPLAY

THE INFORMATION AND DESIGNS CONTAINED IN THIS DRAWING ARE CONFIDENTIAL AND THE PROPRIETARY PROPERTY OF MILESTONE AV TECHNOLOGIES NEITHER THIS DESIGN NOR ANY INFORMATION CONTAINED IN THIS DRAWING MAY BE REPRODUCED OR DISCLOSED TO OTHERS WITHOUT THE EXPRESS WRITTEN CONSENT OF MILESTONE AV TECHNOLOGIES.

CAD GENERATED DRAWING, DO NOT MANUALLY UPDATE.			CHIEF		6436 CITY WEST PKWY EDEN PRAIRIE MN, 55344 PHONE: 866-977-3901 FAX: 877-894-6918
DRAWN BY	JN	6/12/2013	DESCRIPTION PCM Assembly		
ENG APPROVAL			MODEL NO. HANGING HORIZONTAL ASSY PCM		
MFG APPROVAL			SIZE DWG. NO. B TECH-000422		
QA APPROVAL			REV. 00		
SHEET 1 OF 1		SCALE 1:6			