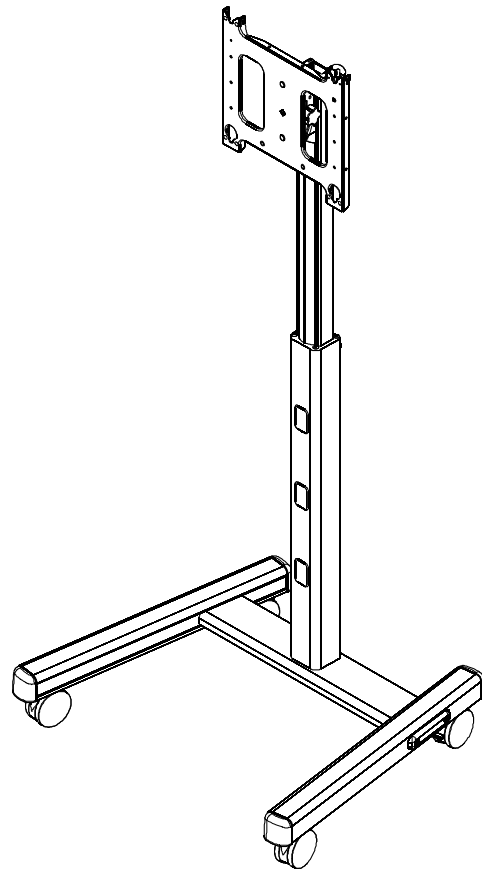
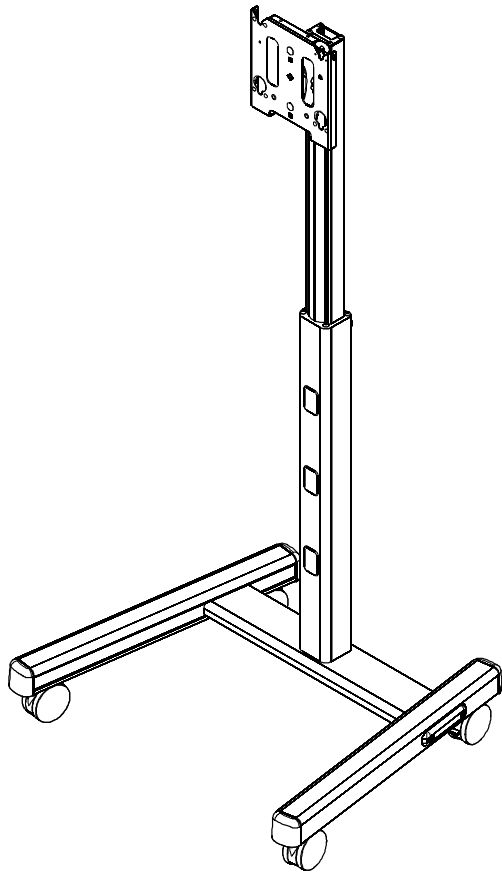


---

# INSTALLATION INSTRUCTIONS

---



---

**Display Carts**

---

**Touchboards**

205 Westwood Ave, Long Branch, NJ 07740  
Phone: 866-94 BOARDS (26273) / (732)-222-1511  
Fax: (732)-222-7088 | E-mail: [sales@touchboards.com](mailto:sales@touchboards.com)

---

**CHIEF**<sup>®</sup>  
Our Mounts. Your Vision.

**MFC, PFC Series**

---

## DISCLAIMER

Milestone AV Technologies and its affiliated corporations and subsidiaries (collectively, "Milestone"), intend to make this manual accurate and complete. However, Milestone makes no claim that the information contained herein covers all details, conditions or variations, nor does it provide for every possible contingency in connection with the installation or use of this product. The information contained in this document is subject to change without notice or obligation of any kind. Milestone makes no representation of warranty, expressed or implied, regarding the information contained herein. Milestone assumes no responsibility for accuracy, completeness or sufficiency of the information contained in this document.

Chief® and ClickConnect™ are registered trademarks of Milestone AV Technologies. All rights reserved.



## IMPORTANT WARNINGS AND CAUTIONS!



**WARNING:** A WARNING alerts you to the possibility of serious injury or death if you do not follow the instructions.



**CAUTION:** A CAUTION alerts you to the possibility of damage or destruction of equipment if you do not follow the corresponding instructions.



**WARNING:** Failure to read, thoroughly understand, and follow all instructions can result in serious personal injury, damage to equipment, or voiding of factory warranty! It is the installer's responsibility to make sure all components are properly assembled and installed using the instructions provided.

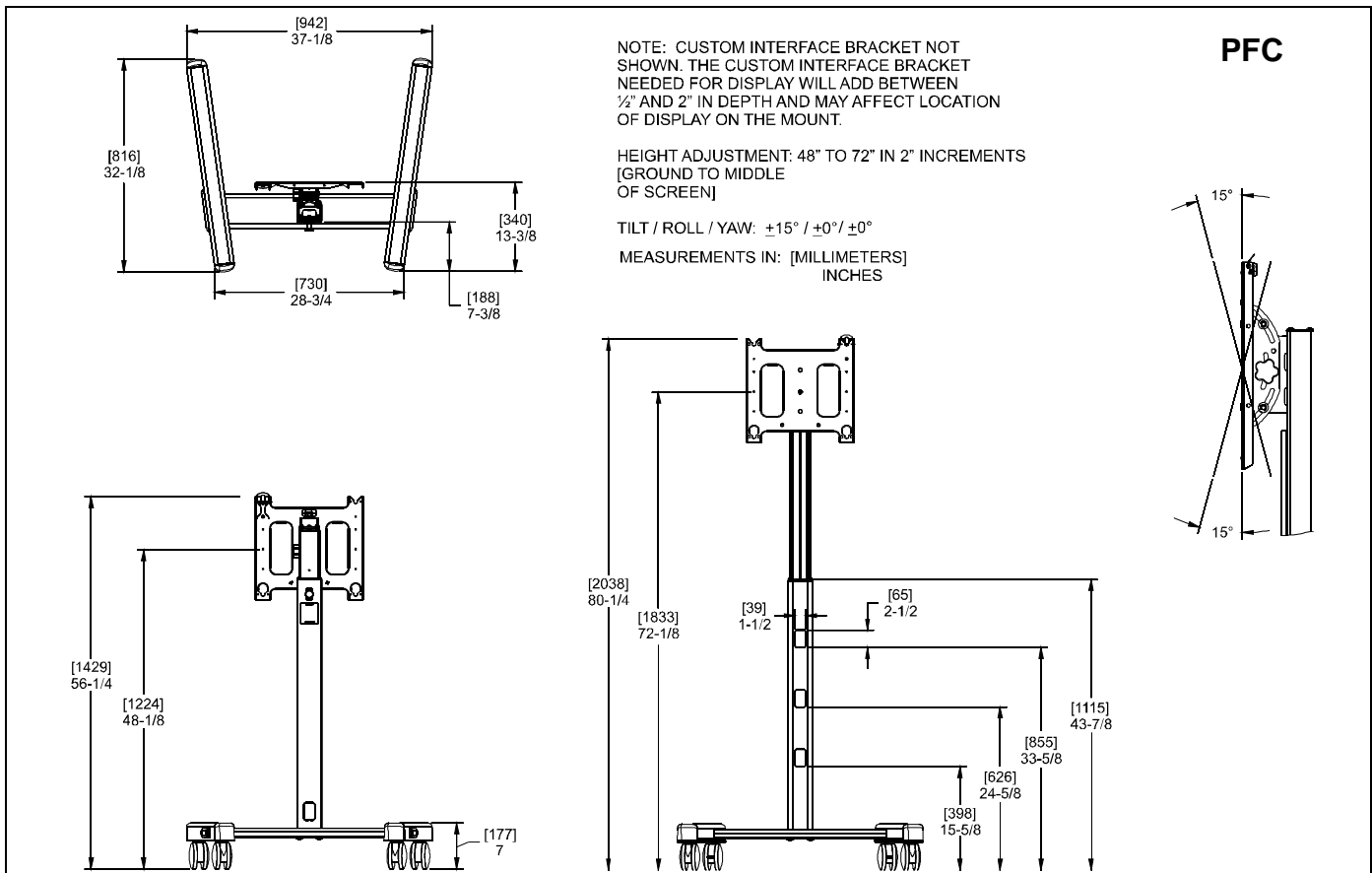
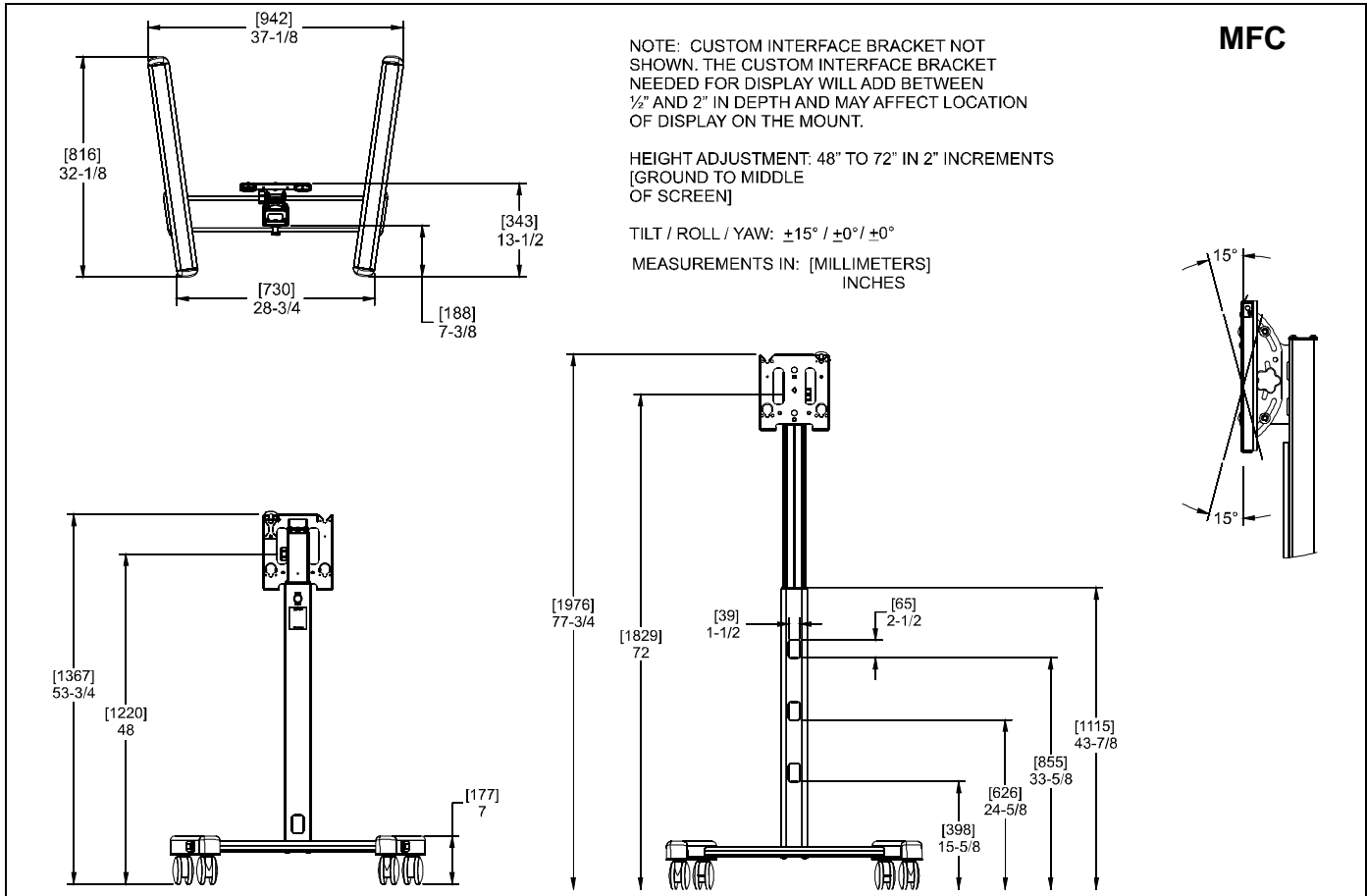


**WARNING:** Failure to provide adequate structural strength for this component can result in serious personal injury or damage to equipment! It is the installer's responsibility to make sure the structure to which this component is attached can support five times the combined weight of all equipment. Reinforce the structure as required before installing the component.



**WARNING:** Exceeding the weight capacity can result in serious personal injury or damage to equipment! It is the installer's responsibility to make sure the combined weight of all components on the cart does not exceed 125 lbs (56.70 kg) for the MFC, and 200 lbs (90.72 kg) for the PFC.

**DIMENSIONS**



**LEGEND**

	<b>Tighten Fastener</b>
	Apretar elemento de fijación
	Befestigungsteil festziehen
	Apertar fixador
	Serrare il fissaggio
	Bevestiging vastdraaien
Serrez les fixations	

	<b>Pencil Mark</b>
	Marcar con lápiz
	Stiftmarkierung
	Marcar com lápis
	Segno a matita
	Potloodmerkten
Marquage au crayon	

	<b>Loosen Fastener</b>
	Aflojar elemento de fijación
	Befestigungsteil lösen
	Desapertar fixador
	Allentare il fissaggio
	Bevestiging losdraaien
Desserrez les fixations	

	<b>Drill Hole</b>
	Perforar
	Bohrloch
	Fazer furo
	Praticare un foro
	Gat boren
Percez un trou	

	<b>Phillips Screwdriver</b>
	Destornillador Phillips
	Kreuzschlitzschraubendreher
	Chave de fendas Phillips
	Cacciavite a stella
	Kruiskopschroevendraaier
Tournevis à pointe cruciforme	

	<b>Adjust</b>
	Ajustar
	Einstellen
	Ajustar
	Regolare
	Afstellen
Ajuster	

	<b>Open-Ended Wrench</b>
	Llave de boca
	Gabelschlüssel
	Chave de bocas
	Chiave a punte aperte
	Steeksleutel
Clé à fourche	

	<b>Remove</b>
	Quitar
	Entfernen
	Remover
	Rimuovere
	Verwijderen
Retirez	

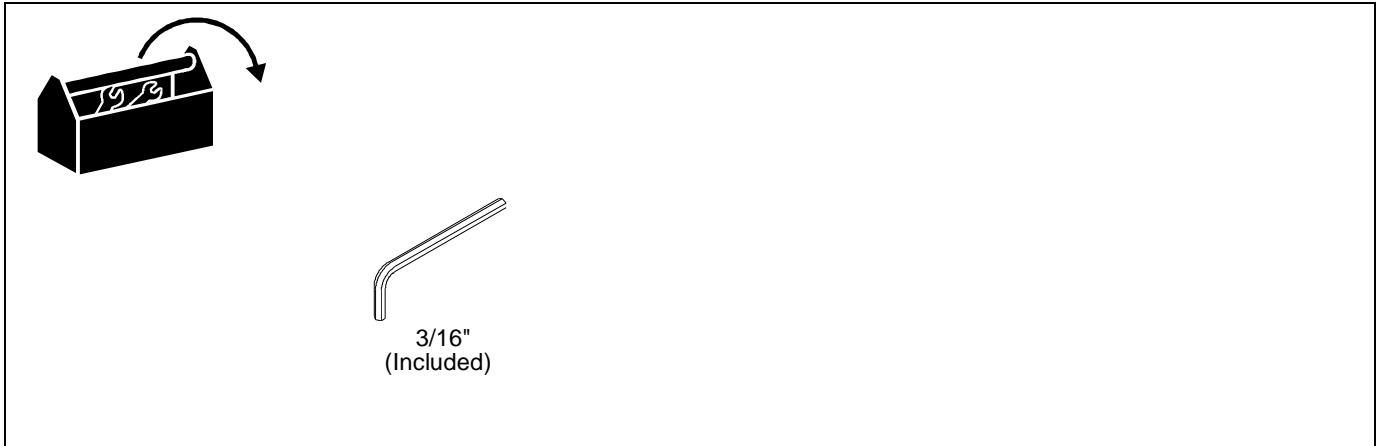
	<b>By Hand</b>
	A mano
	Von Hand
	Com a mão
	A mano
	Met de hand
À la main	

	<b>Optional</b>
	Opcional
	Optional
	Opcional
	Opzionale
	Optie
En option	

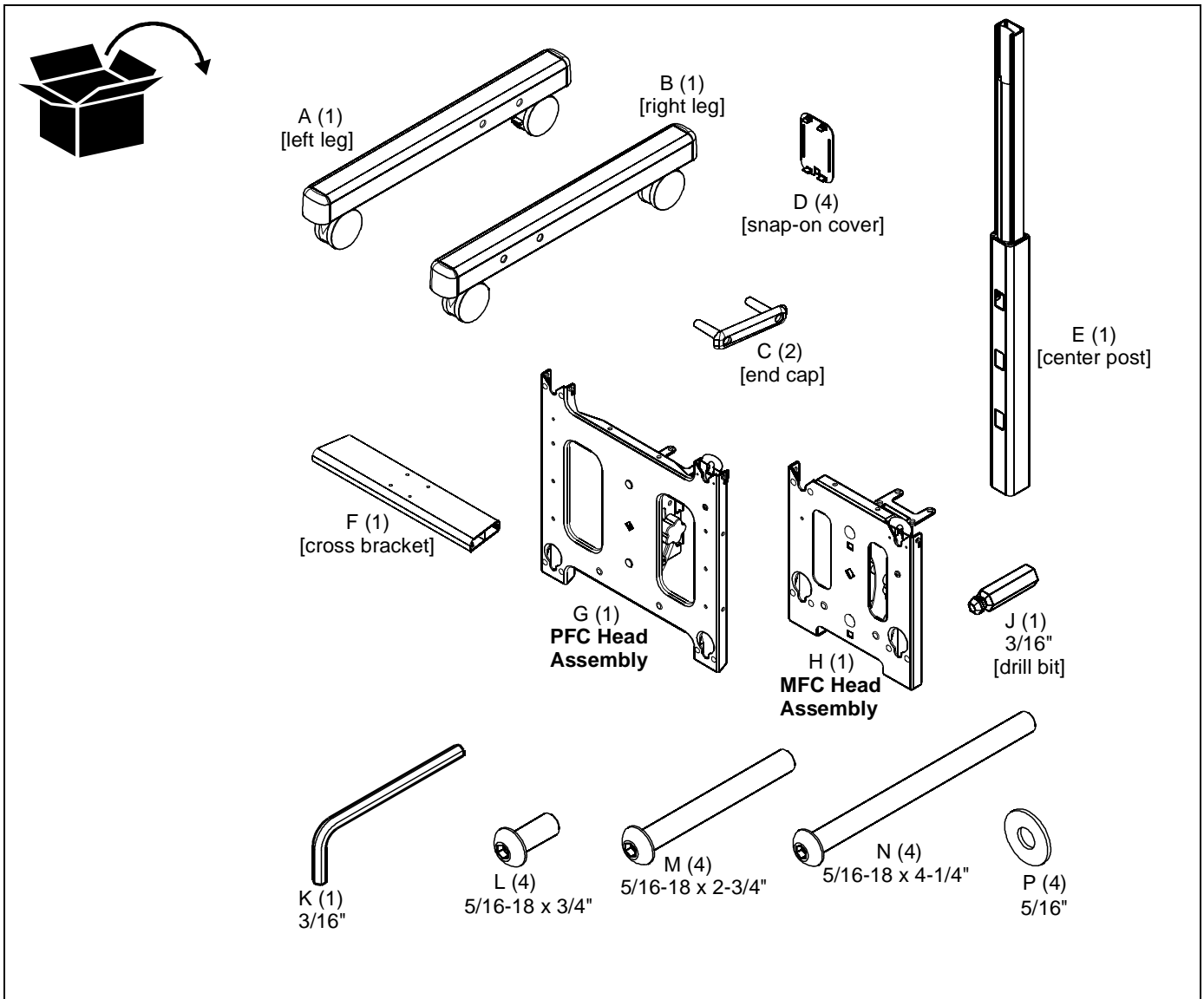
	<b>Hex-Head Wrench</b>
	Llave de cabeza hexagonal
	Sechskantschlüssel
	Chave de cabeça sextavada
	Chiave esagonale
	Zeskantsleutel
Clé à tête hexagonale	

	<b>Security Wrench</b>
	Llave de seguridad
	Sicherheitsschlüssel
	Chave de segurança
	Chiave di sicurezza
	Veiligheidssleutel
Clé de sécurité	

**TOOLS REQUIRED FOR INSTALLATION**



**PARTS**



## ASSEMBLY



**CAUTION:** Attachment holes may be damaged if a power drill is used to insert button head cap screws. Screws should first be inserted and turned **BY HAND** with the hex key or with a handheld screwdriver **BEFORE** using the hex head drill bit (J) and power drill to complete the attachment.

### Assembling Cart

1. Assemble two legs (A) and (B) to the cart cross bracket (F) using two 5/16-18 x 4-1/4" button head cap screws (N) through one end cap (C) per leg. (See Figure 1)

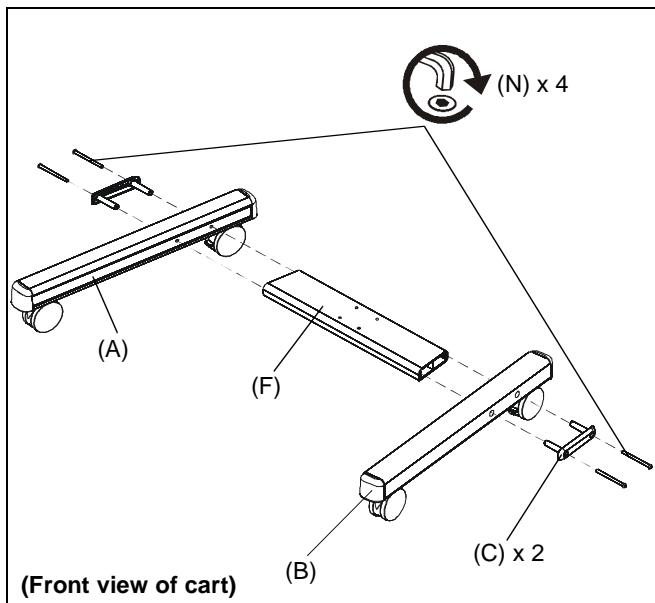


Figure 1



**CAUTION:** INNER COLUMN IS SHIPPED DISENGAGED and may pinch hands! Hold both inner and outer posts (columns) while removing from box.

**IMPORTANT ! :** Press cable tie tab to loosen and remove cable tie from around knob post. (See Figure 2)

**NOTE:** Disengage knob on center post **BEFORE** attaching base to the center post.

2. Lift up slightly on the inner column of center post and hold firmly toward top of post. (See Figure 2)
3. Pull out knob on the center post and turn 90° in either direction to disengage the locking mechanism. (See Figure 2)
4. Raise the inner column and turn the knob 90° in either direction to engage the knob and lock the column in place. (See Figure 2)

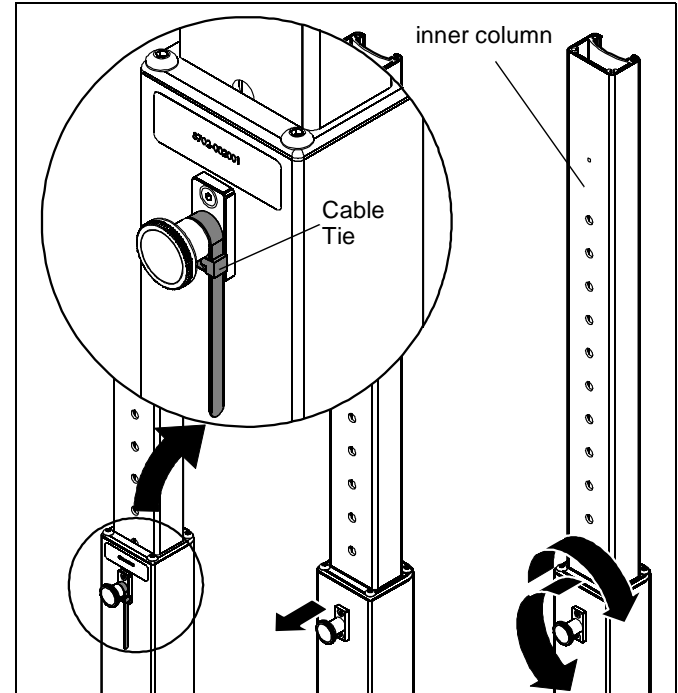


Figure 2

**NOTE:** Insert and turn screws in order shown (1, 2, 3, 4) in Figure 3.

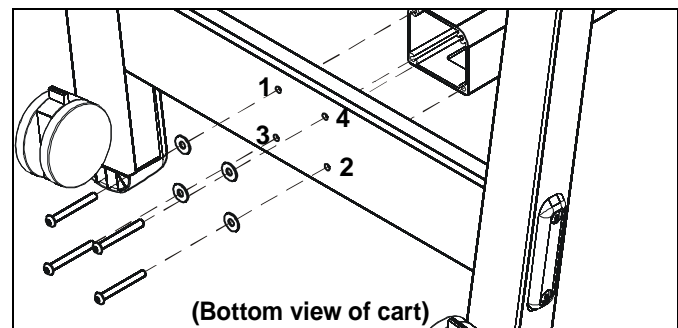


Figure 3

5. Attach center post (E) to leg assembly using four 5/16-18 x 2-3/4" button head cap screws (M) and four 5/16" washers (P). (See Figure 3) and (See Figure 4)

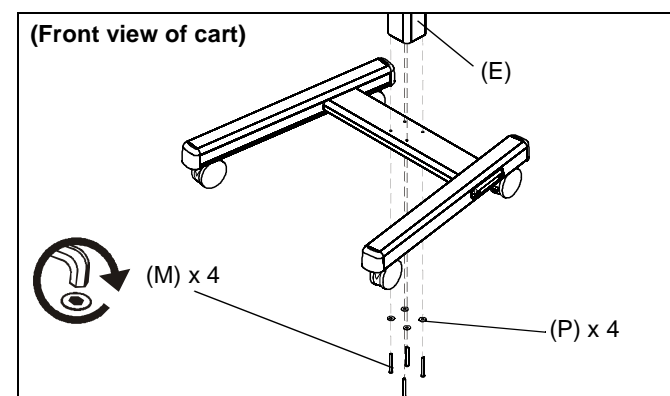


Figure 4

**IMPORTANT !** : When attaching head assembly ensure that the ClickConnect lock is at TOP of head assembly, and bracket tabs slide into the stand assembly. (See Figure 5)

1. Slide head assembly (G) or (H) into the stand assembly. (See Figure 5)
2. Attach head assembly (G) or (H) to the cart assembly using four 5/16-18 x 3/4" button head cap screws (L). (See Figure 5)

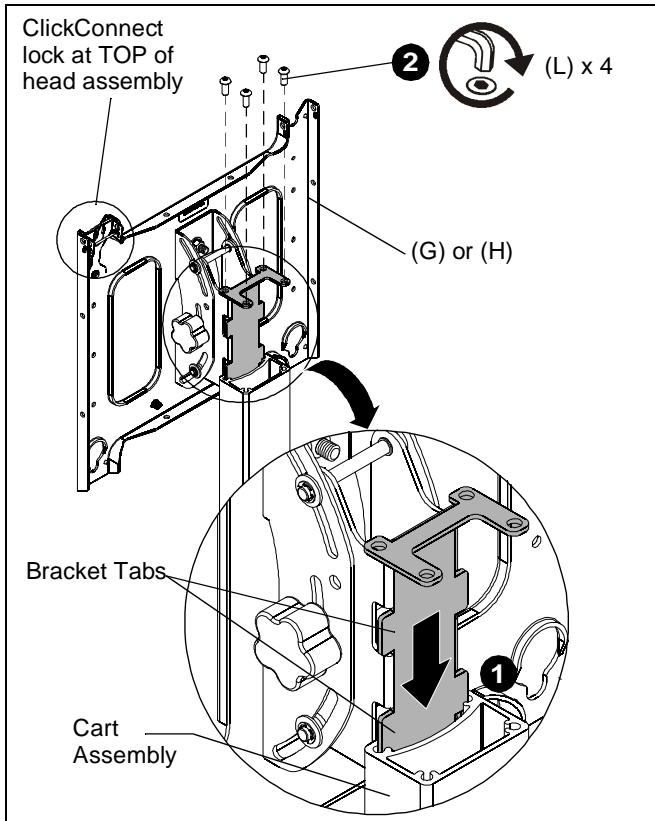


Figure 5

**Adjusting Cart Height**



**CAUTION:** ALWAYS remove the display(s) BEFORE adjusting the height of cart.

1. Firmly grasp head assembly. (See Figure 6)

**IMPORTANT !** : To avoid pinching hands, hold head assembly when adjusting cart height.

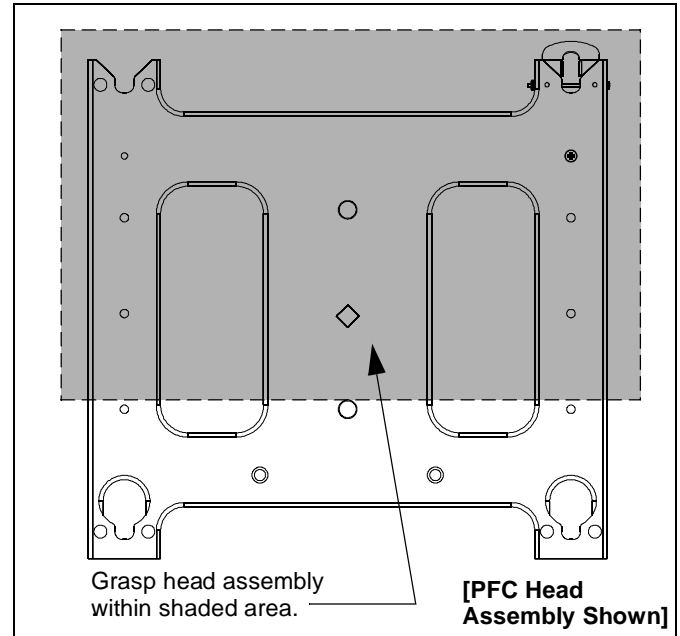


Figure 6

2. Adjust the cart to the desired height by slightly lifting the head assembly, pulling out knob on the center post and turning 90° in either direction to disengage the locking mechanism. (See Figure 7)
3. Raise or lower the center post, then turn the knob 90° either direction to engage the knob and lock the cart at desired height. (See Figure 7)

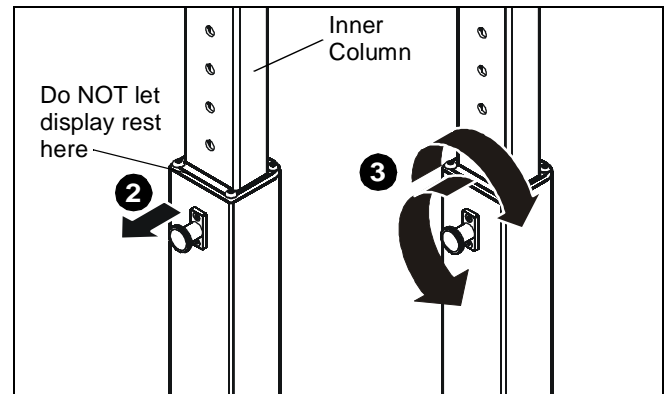


Figure 7

**IMPORTANT !** : Set the height of the cart so the display does NOT rest on the lower part of the center post. (See Figure 7) Always set the height so the knob is engaged in a hole in the center post.

## Attaching Display to Cart



**WARNING:** EXCEEDING MAXIMUM WEIGHT CAPACITY MAY LEAD TO SERIOUS PERSONAL INJURY OR DAMAGE TO EQUIPMENT! It is the installer's responsibility to ensure the total amount of weight placed on the cart does not exceed 125 lbs (56.70 kg) for the MFC, and 200 lbs (90.72 kg) for the PFC.



**CAUTION:** Before attaching display to cart set the brakes on the back wheels by pressing down on the tab. (See Figure 8)

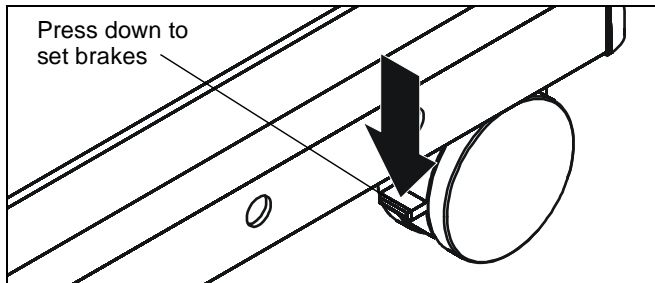


Figure 8

4. Attach a PSBU or MSBU interface bracket to the display following the instructions included with the bracket.
5. While supporting both sides of display, align four mounting buttons on display or interface bracket with four mounting holes in head assembly. (See Figure 9) and (See Figure 10)

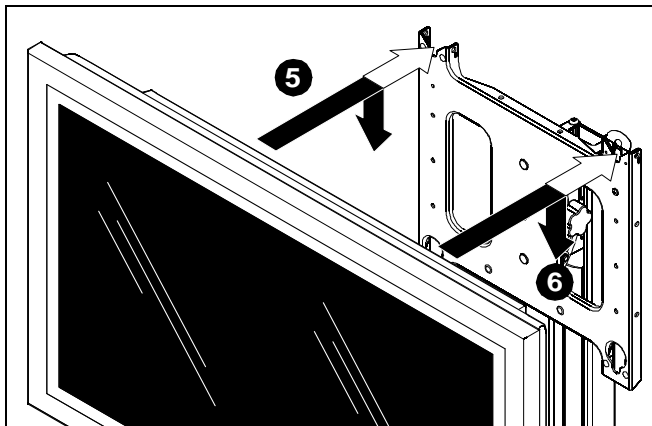


Figure 9



**WARNING:** DISPLAY MAY WEIGH IN EXCESS OF 40 LBS! Always use two people and proper lifting techniques when installing or positioning display on cart.

6. Lower display into place listening for audible "click" to ensure recessed area of mounting buttons are properly seated in lower area of mounting holes. (See Figure 9) and (See Figure 10)



**WARNING:** IMPROPER INSTALLATION CAN LEAD TO CART OR DISPLAY FALLING CAUSING SERIOUS PERSONAL INJURY OR DAMAGE TO EQUIPMENT! Ensure mounting buttons are completely engaged in mounting holes.

**NOTE:** Holes are provided in the faceplate for use with a padlock or similar locking device, if desired. In addition, the pin and nut may be removed from the upper holes and moved to the lower holes for use as a more permanent locking device. (See Figure 10)

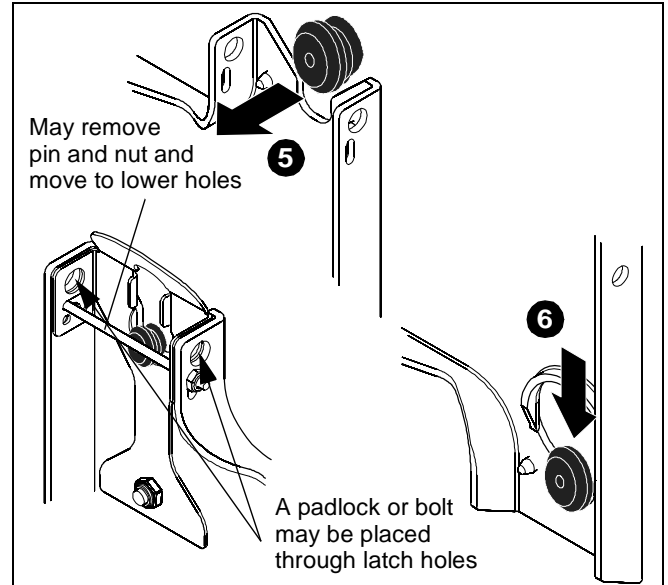


Figure 10



## Tilting Display

The display can be tilted up to 15° either backward or forward from a straight upright position.

1. Turn knob counterclockwise on back of head assembly to loosen the tilt. (See Figure 11)

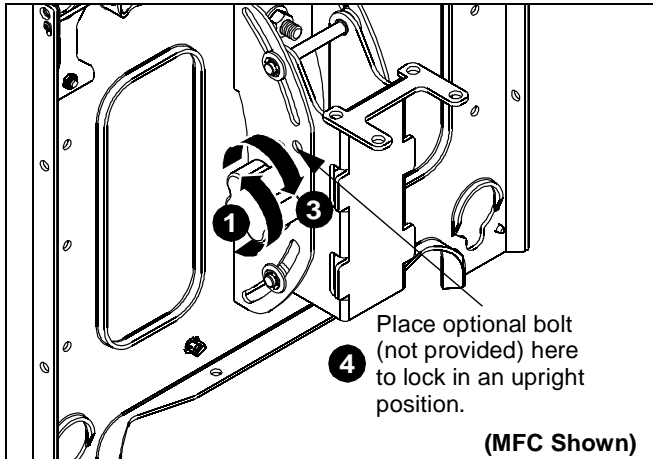


Figure 11

2. Tilt display as desired, to a maximum of 15° either forward or backward.
3. Turn knob clockwise to tighten display on head assembly. (See Figure 11)



**CAUTION:** Tighten knob on back of head assembly to prevent damage when moving the cart and display.

4. If leaving the display in a straight upright position, it is recommended that a bolt (not provided) be placed through the head assembly (See Figure 11) to lock the display into the upright position.

## Cable Management

1. Signal cables can be run down the front flap of the center post and out the front of the post at any of the openings. (See Figure 12)
2. The display power cord can be run through the top and down through the post to exit out the back. (See Figure 12)
3. Any accessory power cords can be run through the front and down through the post to exit out the back. (See Figure 12)
4. Install the snap-on covers (D) to any opening that is not being used. (See Figure 12)
5. To remove the snap-on covers, grip the sides of the cover in the middle and pull off. They can also be removed by inserting a flat-blade screwdriver into the bottom slot and rotating the screwdriver.

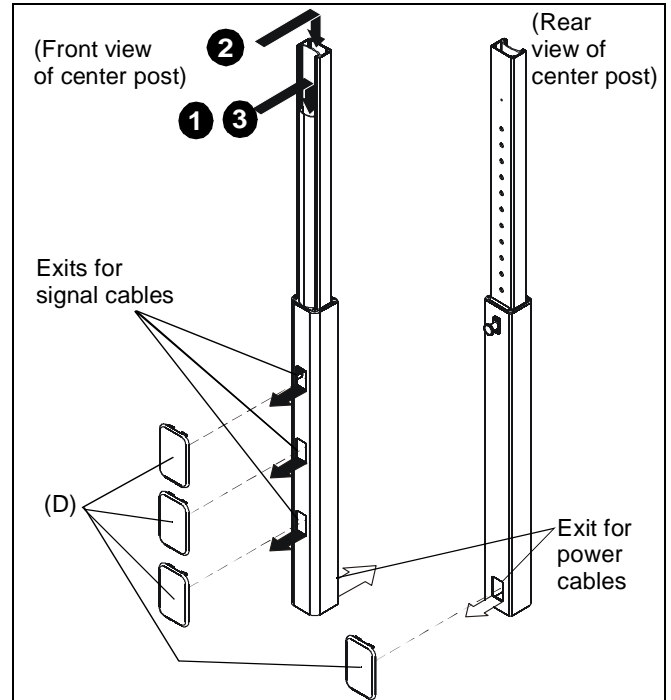


Figure 12

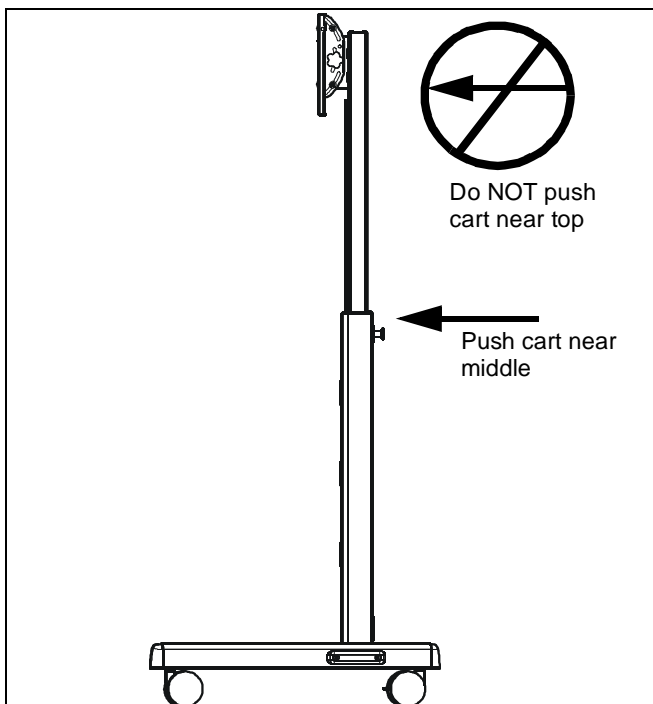
## Cart Use and Maintenance



**CAUTION:** This cart is intended for use only with the products and maximum weights indicated (125 lbs [56.70 kg] for the MFC, and 200 lbs [90.72 kg] for the PFC). Use with other products or products heavier than the maximum weights indicated may result in instability causing possible injury.

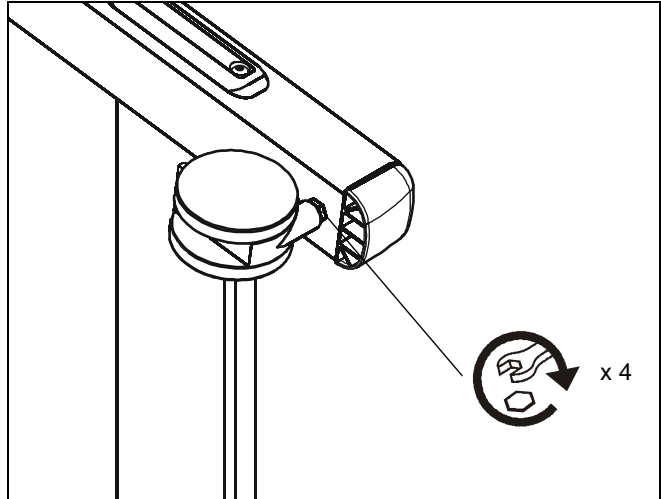


**WARNING:** CART CAN TIP OVER RESULTING IN RISK OF INJURY. Do not allow children under 16 to move cart. Only adults should move this cart. Move cart slowly. Apply moving force on narrow dimension. Never apply force at top - always push near middle. Push, don't pull.



**Figure 13**

1. Always place cart on level surface.
2. Always lock the wheels when the cart is not moving.
3. Check and tighten the hex nuts on the casters occasionally. (See Figure ) These should be checked especially after use on uneven ground.



**Figure 14**

## Removing Display from Cart

1. Remove bolt or padlock from faceplate (if used). (See Figure 15)

**NOTE:** The pin may have been used as a more permanent locking device. If so, remove nut and pin and move from the lower holes to the upper holes.

2. Pull back on flag on upper mounting hole and press pin down into "Open" position. (See Figure 15)



**WARNING:** EACH DISPLAY MAY WEIGH IN EXCESS OF 40 LBS! Always use two people and proper lifting techniques when installing or positioning display on stand.

3. Carefully lift display from cart.
4. Lift up on pin and place flag back against faceplate to return it to "Closed" position. (See Figure 15)

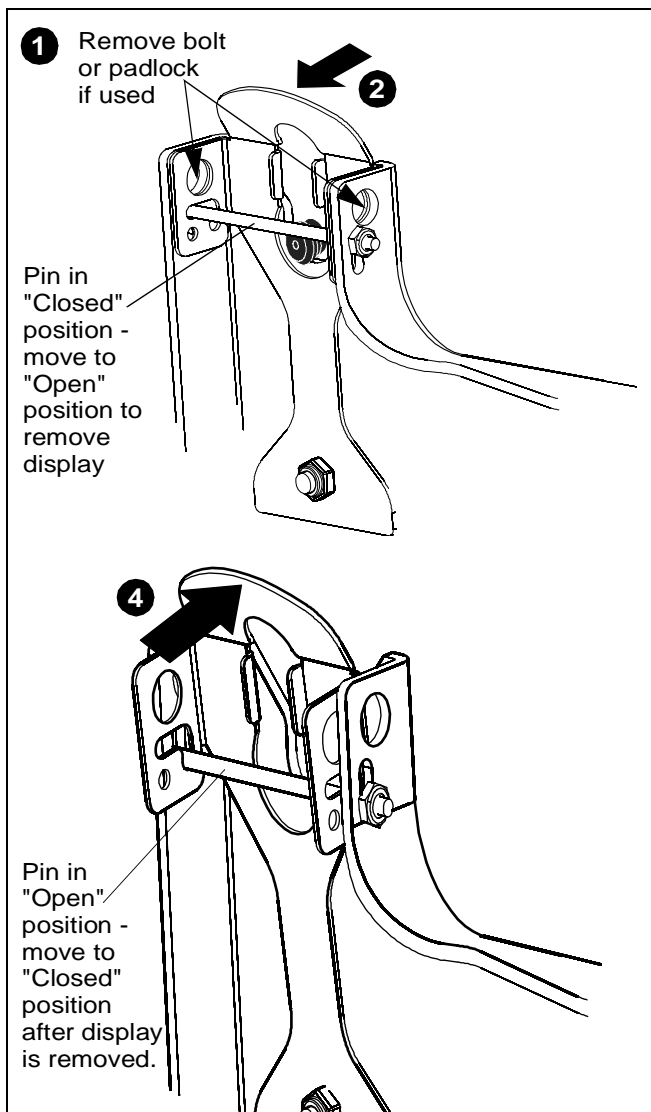


Figure 15



Our Mounts. **Your Vision.**

Chief Manufacturing, a products division  
of Milestone AV Technologies

8809-000038 RevG

©2010 Milestone AV Technologies,  
a Duchossois Group Company

[www.chiefmfg.com](http://www.chiefmfg.com)

08/10

<b>USA/International</b>	<b>A</b> 8401 Eagle Creek Parkway, Savage, MN 55378
	<b>P</b> 800.582.6480 / 952.894.6280
	<b>F</b> 877.894.6918 / 952.894.6918
<b>Europe</b>	<b>A</b> Fellenoord 130 5611 ZB EINDHOVEN, The Netherlands
	<b>P</b> +31 (0)40 2668620
	<b>F</b> +31 (0)40 2668615
<b>Asia Pacific</b>	<b>A</b> Office No. 1 on 12/F, Shatin Galleria 18-24 Shan Mei Street Fotan, Shatin, Hong Kong
	<b>P</b> 852 2145 4099
	<b>F</b> 852 2145 4477

