



## FEATURES

- 1 CENTRIS® FINGERTIP TILT**  
Effortlessly adjust display using Centris fingertip tilt technology. Screen angle stays set until you decide to readjust.
- 2 TELESCOPING HEIGHT ADJUSTMENT**  
Integrated knob provides tool-less telescoping adjustment from 4 ft (122 cm) to 6 ft (180 cm).
- 3 CLICKCONNECT® LATCHING**  
Hear an audible click when the screen engages with the mount. Easy to connect/disconnect - no tools needed!
- 4 PORTRAIT/LANDSCAPE CAPABILITY**  
Mounts in either portrait or landscape position.
- 5 CABLE MANAGEMENT**  
Flexible covers hide cables for a clean installation.

## WHAT YOU NEED TO KNOW

### OTHER PRODUCT OPTIONS



**MFC**  
 Mobile Cart  
 Height: 4 - 6' (122 - 180 cm), Tilt: ±15°



**PFM**  
 Confidence Monitor Cart  
 Height: 3 - 4' (91 - 122 cm), Tilt: +15°/+45°



**PFQ**  
 Confidence Monitor Cart  
 Height: 2 - 2.5' (61 - 76 cm), Tilt: +15°/+45°

## SPECIFICATIONS

Dimensions*	80.25" x 37.13" x 32.13" (204 x 94.3 x 81.6 cm)
Height	4 - 6' (122 - 180 cm)
Tilt	±15°
Weight Capacity	200 lbs (90.7 kg)
Colors	Black, Silver

\* Dimensions do not include interface bracket

## RECOMMENDED ACCESSORIES



**PAC710** □ Accessory Shelf

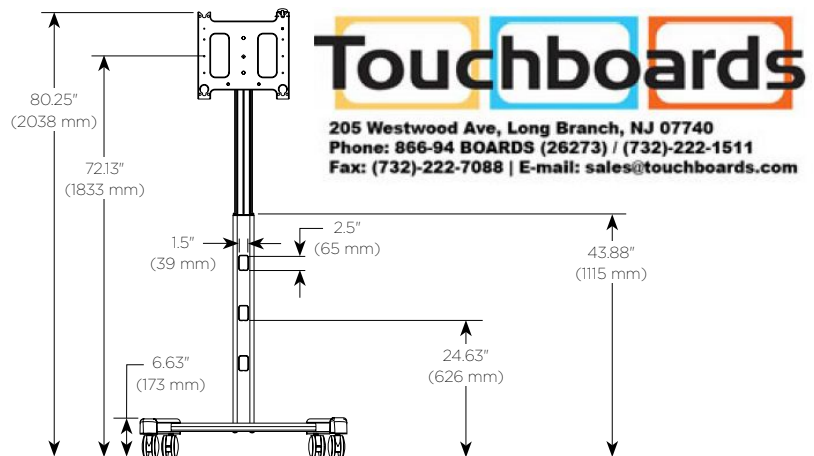


**PAC720** □ Dual Display Accessory



**PAC730** □ Secure Storage Shelf

## TECHNICAL DRAWINGS



205 Westwood Ave, Long Branch, NJ 07740  
 Phone: 866-94 BOARDS (26273) / (732)-222-1511  
 Fax: (732)-222-7088 | E-mail: sales@touchboards.com

For a complete list of cart & stand accessories see pages 93 - 94.