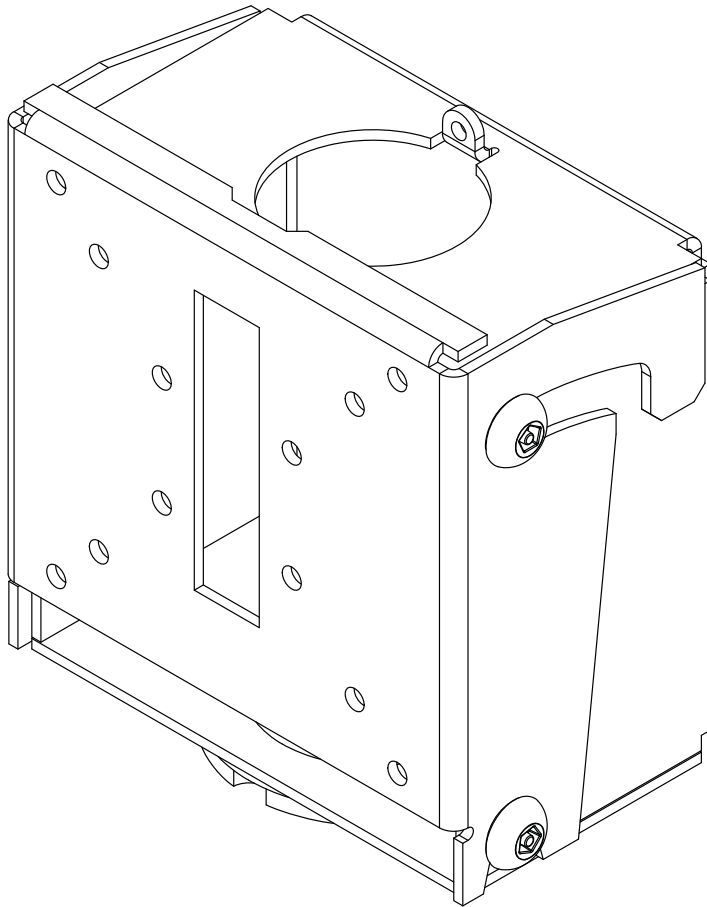


Read instruction sheet before you start installation and assembly.



Max Load Capacity: 225 lb (102.3 kg)



205 Westwood Ave, Long Branch, NJ 07740
Phone: 866-94 BOARDS (26273) / (732)-222-1511
Fax: (732)-222-7088 | E-mail: sales@touchboards.com

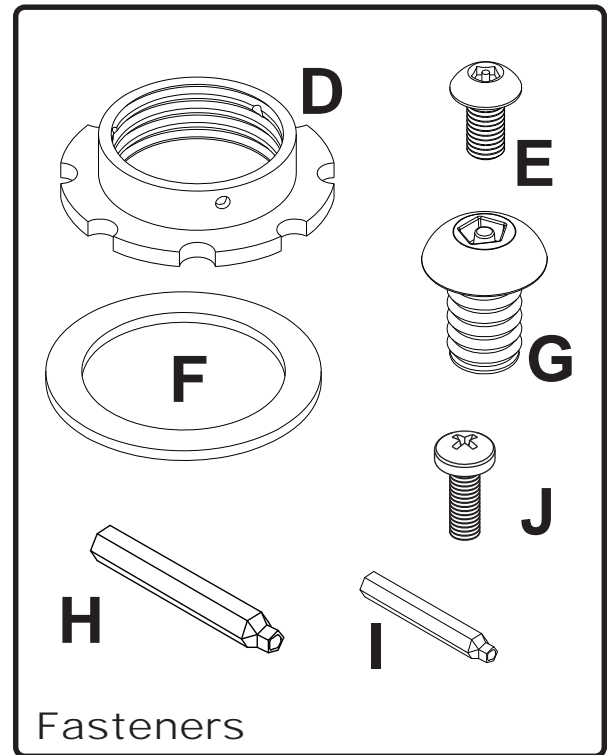
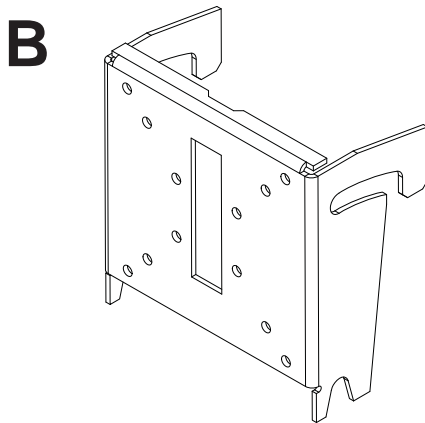
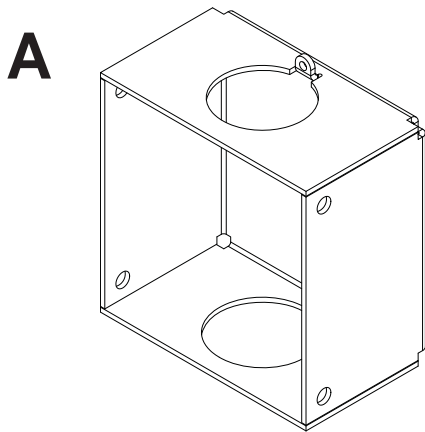
▲ WARNING

- Installer must verify that the supporting surface will safely support the combined weight of all attached equipment and hardware.

Before you begin, make sure all parts shown are included with your product.

PARTS LIST

	Description	Qty	Part #
A	ceiling arm box	1	201-1666
B	tilt bracket	1	200-1667
D	retaining collar	1	1800-375
E	M5 x .8 x 10 mm penta-pin™ screw	4	505-9010
F	2.875 OD x 2.125 ID x .062 H fiber washer	1	540-9432
G	M10 x 1.5 x 15 mm penta-pin screw	4	520-9263
H	M10 x 2" penta-pin tool	1	520-9260
I	M5 x 1" penta-pin tool	1	520-9249
J	M4 x .7 x 12 mm phillips screw	4	504-9013

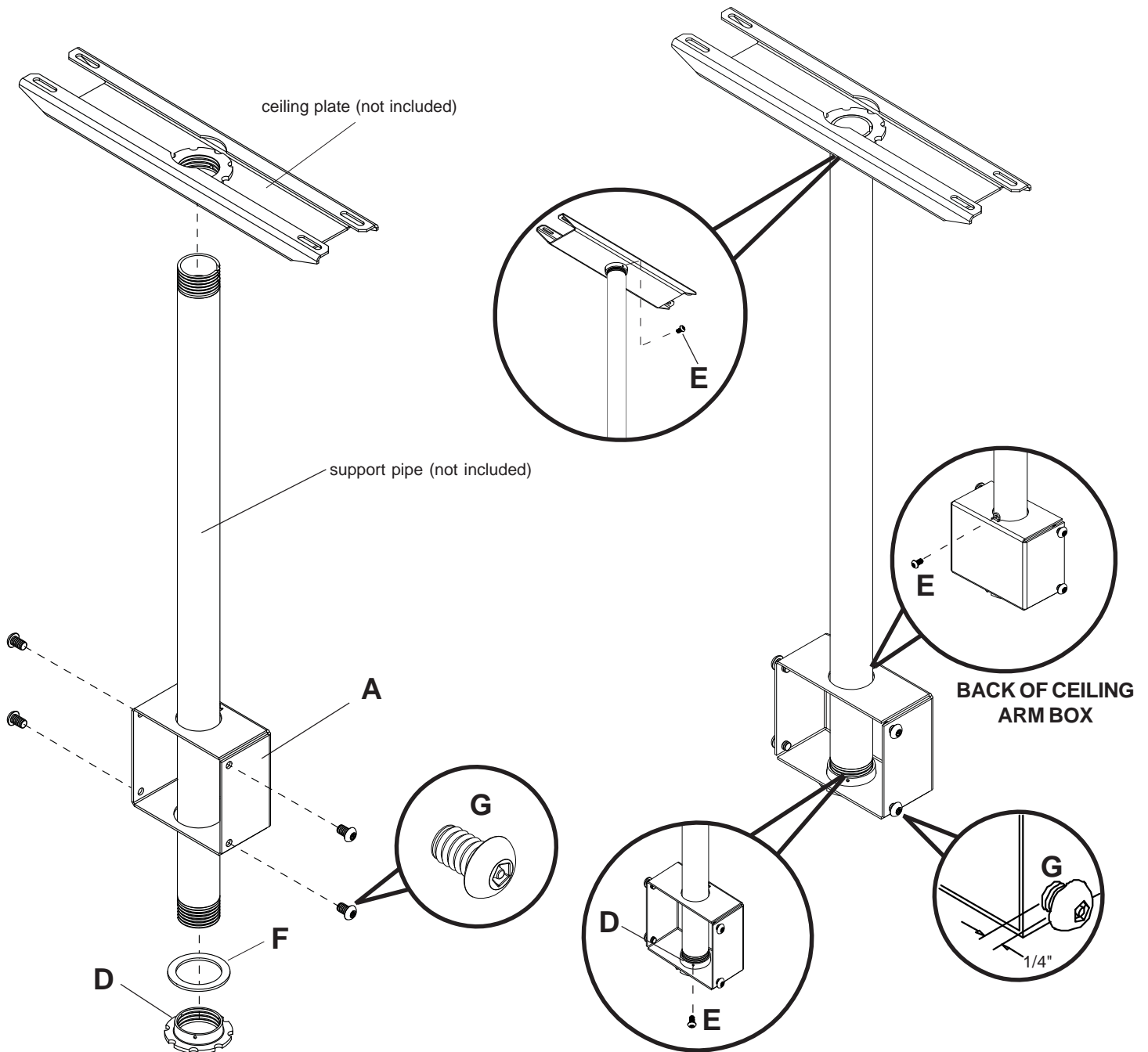


Note: Some parts may not appear exactly as illustrated.

1

Thread support pipe (schedule 40 pipe, 1.5 x 11.5 NPT, not included) into threaded fitting in ceiling plate (UL Listed CMJ470, not included). Tighten - four or five complete turns - leaving slot aligned with one small hole in the side of the ceiling plate threaded fitting. Insert and tighten one M5 x .8 x 10 mm penta-pin screw (E) provided with ceiling plate as shown. Use the M5 penta-pin tool (I) to tighten screw. BY HAND, insert four M10 x 1.5 x 15 mm penta-pin screws (G) into threaded holes in the sides of ceiling arm box (A). Leave approximately 1/4" of exposed thread. Slide ceiling arm box (A) and fiber washer (F) onto end of support pipe. Thread retaining collar (D) onto threaded end of support pipe. Tighten - four or five complete turns. Slide ceiling arm box (A) down so that it is on top of retaining collar (D). Insert and tighten one M5 x .8 x 10 mm penta-pin screw (E) into retaining collar (D) as shown. Insert one M5 penta-pin screw (E) through the tab on the back of ceiling arm box (A). Use M5 penta-pin tool (I) to tighten screw just enough to stabilize support pipe.

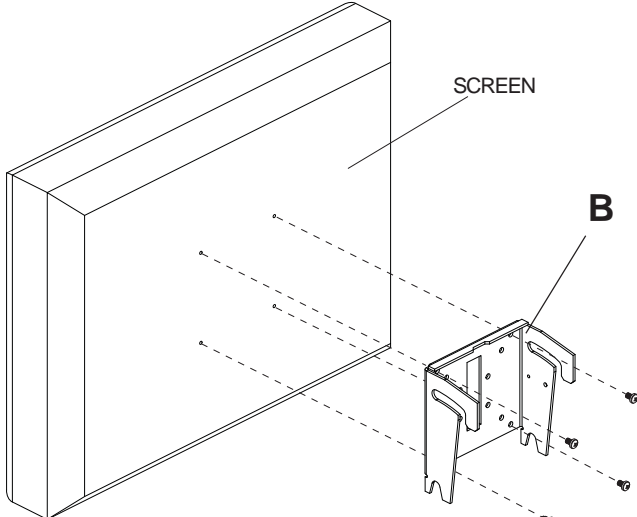
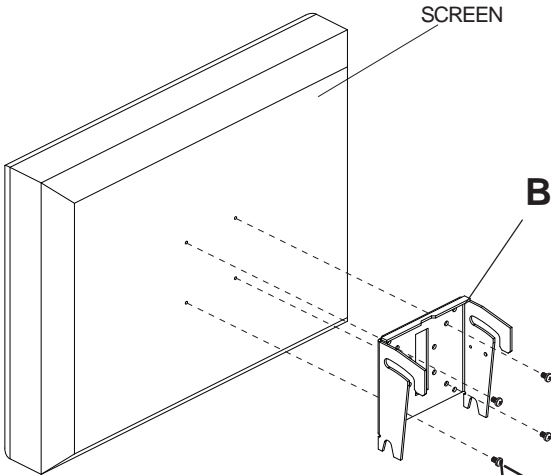
Note: UL Listed ADJ or EXT extension column series can be used in combination with, or in place of support pipe to achieve different lengths.



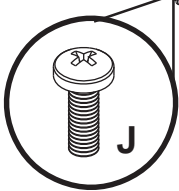
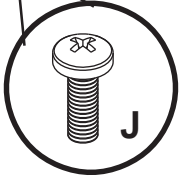
2

Using hole pattern for Vesa 75 x 75 shown in detail 1. Attach tilt bracket (B) to screen using four M4 x .7 x 12 mm phillips screws (J).

Using hole pattern for Vesa 100 x 100 shown in detail 1. Attach tilt bracket (B) to screen using four M4 x .7 x 12 mm phillips screws (J).



Note: Screen and adapter plate may appear different than illustrated.



VESA 75 x 75	VESA 100 x 100

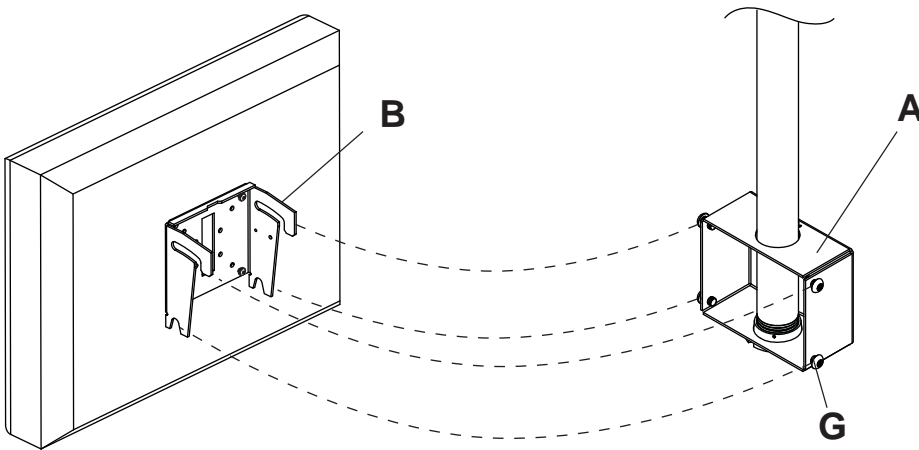
Detail 1

3

Hang tilt bracket (B) onto ceiling arm box (A). Adjust tilt as desired and tighten four M10 x 1.5 x 15 mm penta-pin screws (G) securely using M10 penta-pin tool (H).

⚠ WARNING

- For a safe assembly be sure to fully tighten four screws (G).



Touchboards

205 Westwood Ave, Long Branch, NJ 07740
Phone: 866-94 BOARDS (26273) / (732)-222-1511
Fax: (732)-222-7088 | E-mail: sales@touchboards.com