

PLUS | Whiteboard

# Projector Screen Whiteboard



## Combined Solution

### Projector Screen + Traditional Whiteboard



**Projector Screen Board  
that is writable**

While using a projector, you can write and erase simultaneously※

Without matt finish

Traditional Whiteboard

With matt finish

Projector Screen Whiteboard

**Matt Finish Surface  
minimizes Hotspot**

This Projector Screen Whiteboard is engineered to eliminate hotspots.

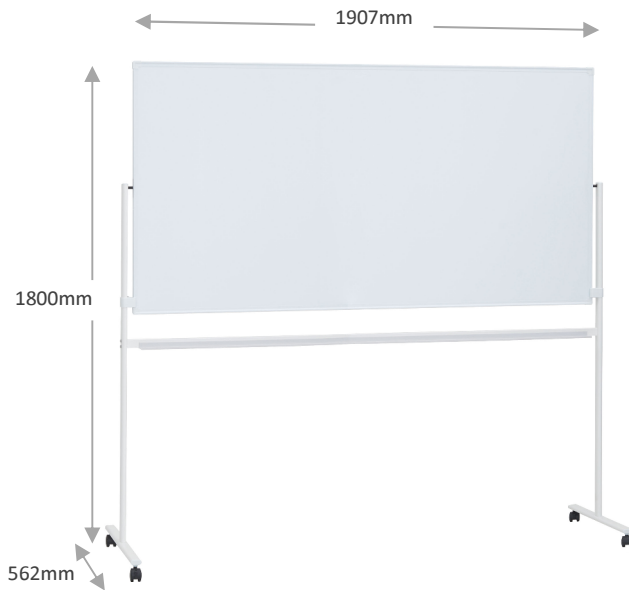
**Projector Screen  
+  
Whiteboard**

**Mobility**

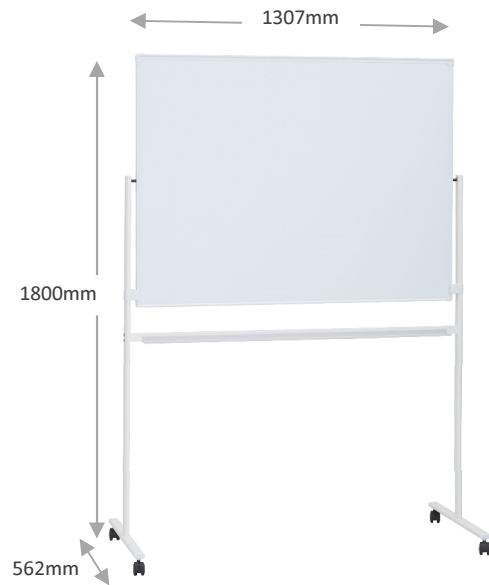
**Magnetic Surface**

※ Please erase it immediately after writing. It will be hard to erase if left for a long time.

# PLUS | Projector Screen Whiteboard



WB-1809PSJ-EU-B



WB-1209PSJ-EU-B

※Stand (SI-TA1D-EU) must be purchased together.

## Features



### Durable Casters

Easy transportation from area to area with four castors (2 lockable).



### Magnetic Surface

Magnets can be attached to the board surface.



### Erasability

Painted steel surface resists ghosting and provides great erasability.

## Specifications

Model	WB-1809PSJ-EU-B	WB-1209PSJ-EU-B
Product size	W1907 x H1800 x D562mm	W1307 x H1800 x D562mm
Writing surface	W1767 x H867mm	W1167 x H867mm
Weight	15kg	10kg
Material of surface	Steel	Steel
Material of frame	Aluminum	Aluminum
Material of tray	ABS	ABS

© 2018 PLUS Corp. All rights reserved. Other trademarks and trade names may be used in this document to refer to either the entities claiming the marks and names or their products. Information in this document is subject to change without notice.

**PLUS Stationery Company**  
Meeting Products Div.