

PLUS Assembly and Setup Manual

Network Board Series

This manual explains how to assemble and set up the Network Board Series (hereinafter referred to as "this device" or "the main unit").

Dear Customer

The installation of this device requires specialized skills. Please do not attempt to assemble this device yourself under any circumstances.

Dear Distributor/Installation Contractor

When installing this device, please take ample care to ensure that both the device and its mounting brackets can withstand any loads they are subjected to. A Phillips #2 screwdriver is necessary for installation, so please prepare it.

Please Read in the Interest of Safety

- Warning**
- Only the assembly/installation contractor should install this device.
 - Installation and assembly must be performed in accordance with this manual. Incorrect installation or assembly could result in injury.
 - Lift the main unit with 2 or more people when installing or removing. Also, make sure to lock the stand casters before installing and removing the main unit. Failure to lock the casters may lead to the stand sliding and result in an unforeseen accident.
 - When installing on a wall surface, please purchase the optional wall mounting bracket.
 - The AC adapter box is where the AC power adapter for the main unit and printer is stored. The AC power adapter and power cord heat up upon use, therefore please store them correctly in accordance with "Safety Precautions" of the main unit's instruction manual.
- Caution**
- If a printer is used, please use the Velcro to secure this device and prevent it from sliding due to printer vibration.
 - Remove the printer when moving this device. It may fall and cause damage or injury.

* The Velcro is to prevent sliding, not to secure the printer.

* Velcro is a registered trademark of Velcro Corporation.

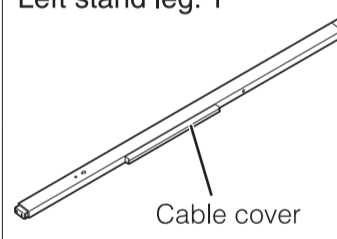


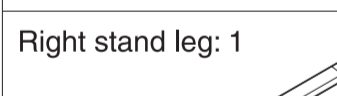
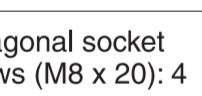

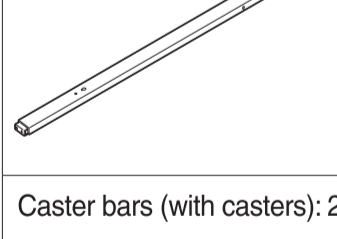
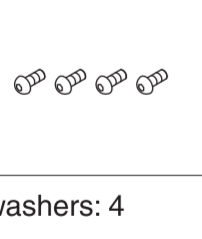

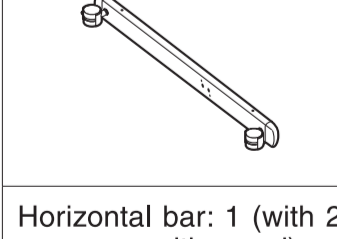
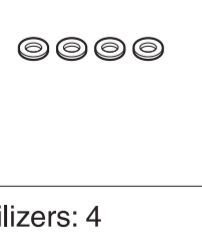
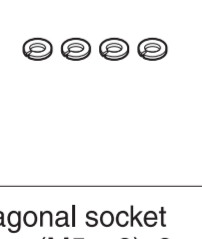
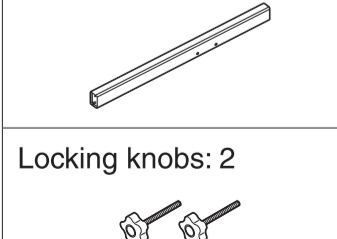
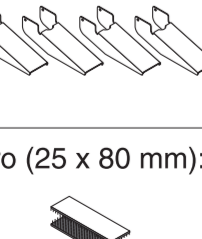
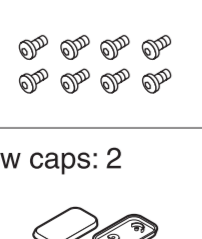



Note
The printer shown in this manual is a concept illustration only. Please refer to the manual of the actual printer to be used regarding names/positions of connection ports and how to use.

List of packaged items

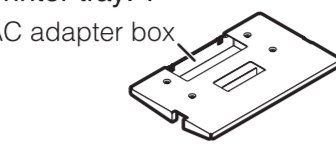
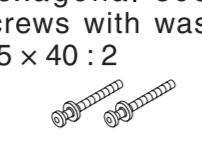
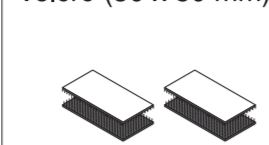

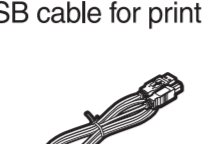
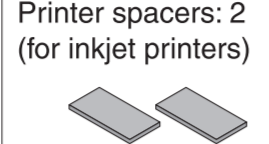
Main unit package

Refer to the User's Manual of the main unit. Included items vary depending on the model.

Stand package (optional item)

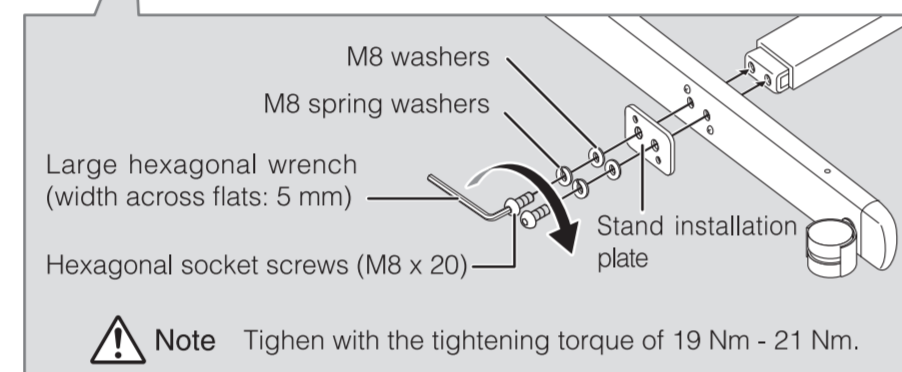
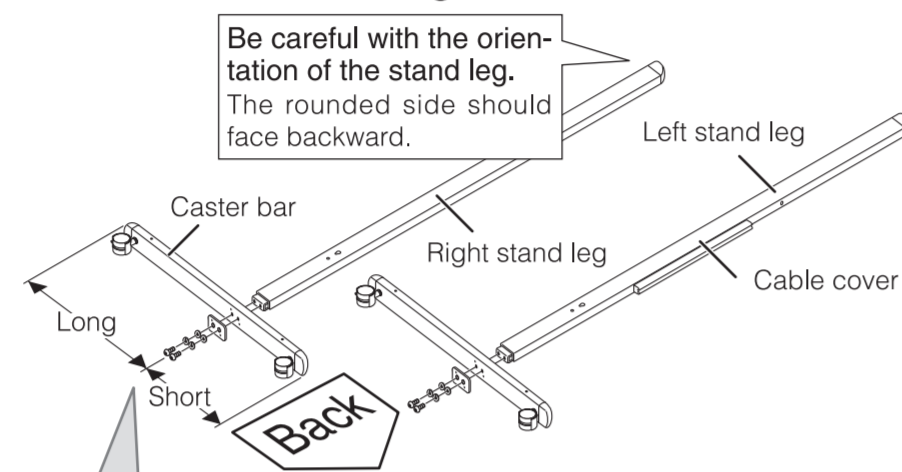
Left stand leg: 1 	Small hexagonal wrench (width across flats: 3 mm): 1 	Large hexagonal wrench (width across flats: 5 mm): 1 
Cable cover 	Hexagonal socket screws (M5 x 40): 2 	Sleeves: 2 
Right stand leg: 1 	Hexagonal socket screws (M8 x 20): 4 	Stand installation plates: 2 
Caster bars (with casters): 2 	M8 washers: 4 	M8 spring washers: 4 
Horizontal bar: 1 (with 2 screws on either end) 	Stabilizers: 4 	Hexagonal socket screws (M5 x 8): 8 
Locking knobs: 2 	Velcro (25 x 80 mm): 1 	Screw caps: 2 

Printer tray package (optional item)

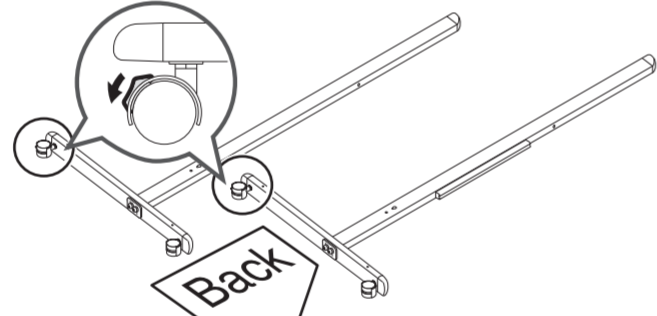
Printer tray: 1 AC adapter box 	Hexagonal socket screws with washer M5 x 40 : 2 	Velcro (50 x 80 mm): 2 
Small hexagonal wrench (width across flats: 3 mm): 1 	USB cable for printer: 1 	Printer spacers: 2 (for inkjet printers) 

Installing the Stand (option)

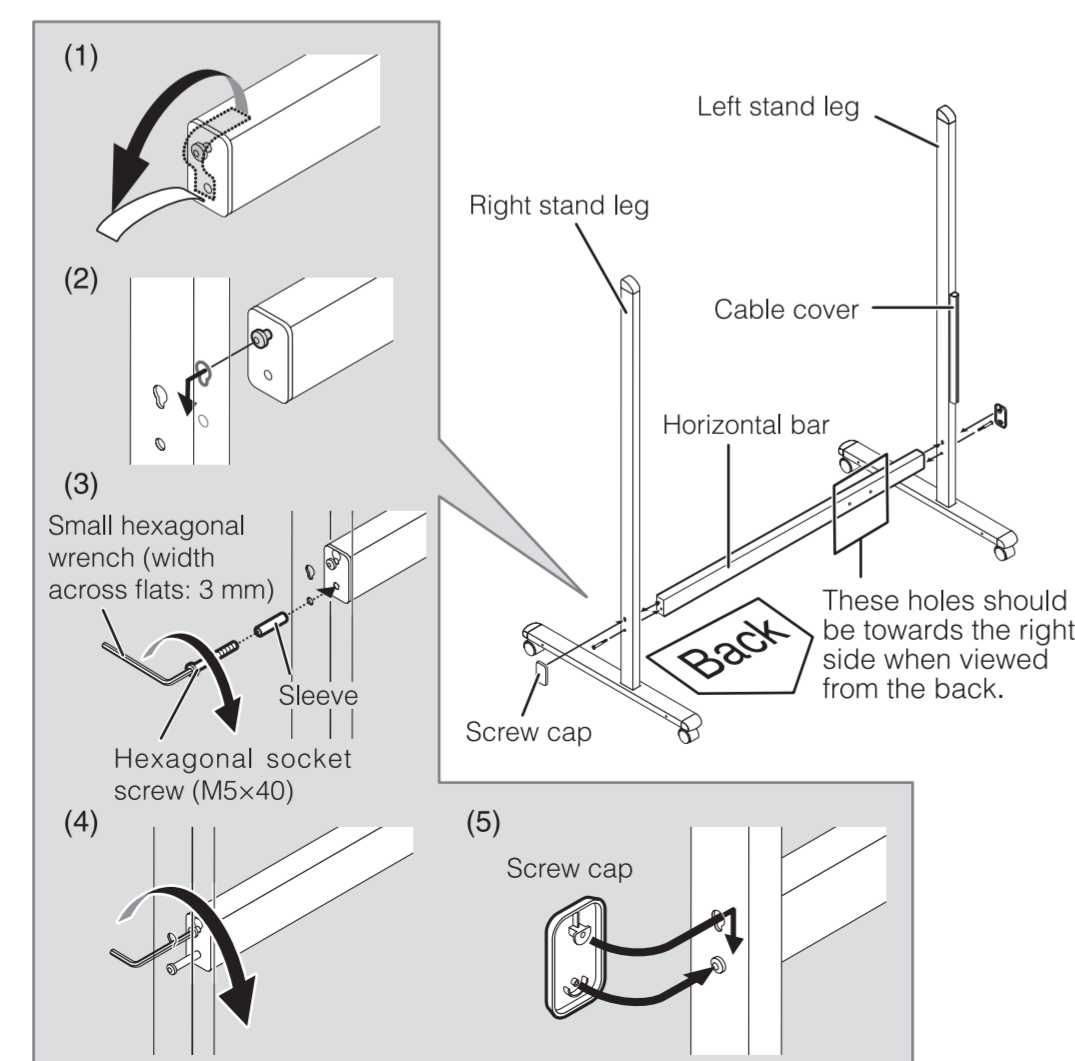
1 Attach the stand legs to the caster bars.



2 Lock the stand casters.

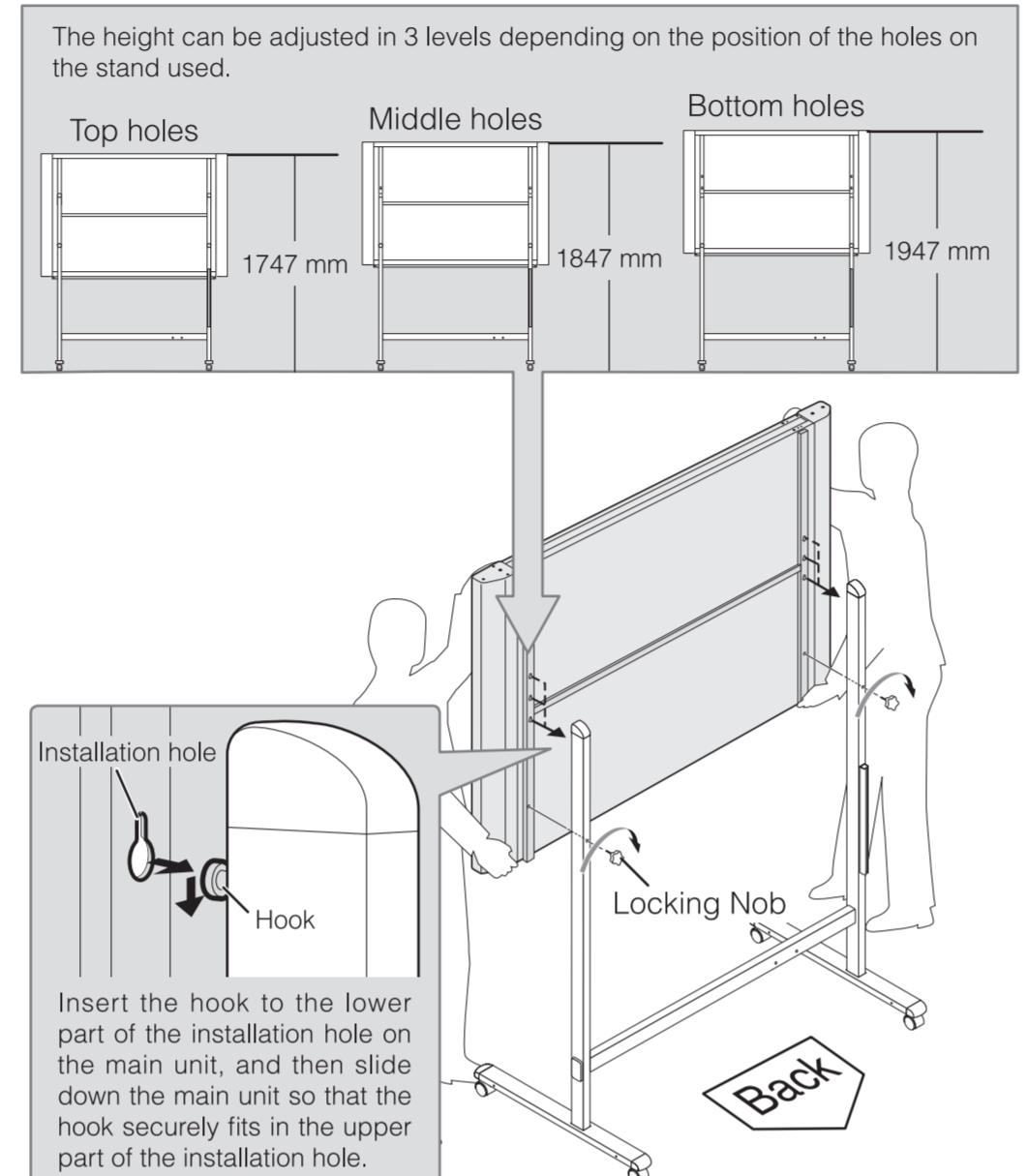


3 Attach the horizontal bar to the stand legs.

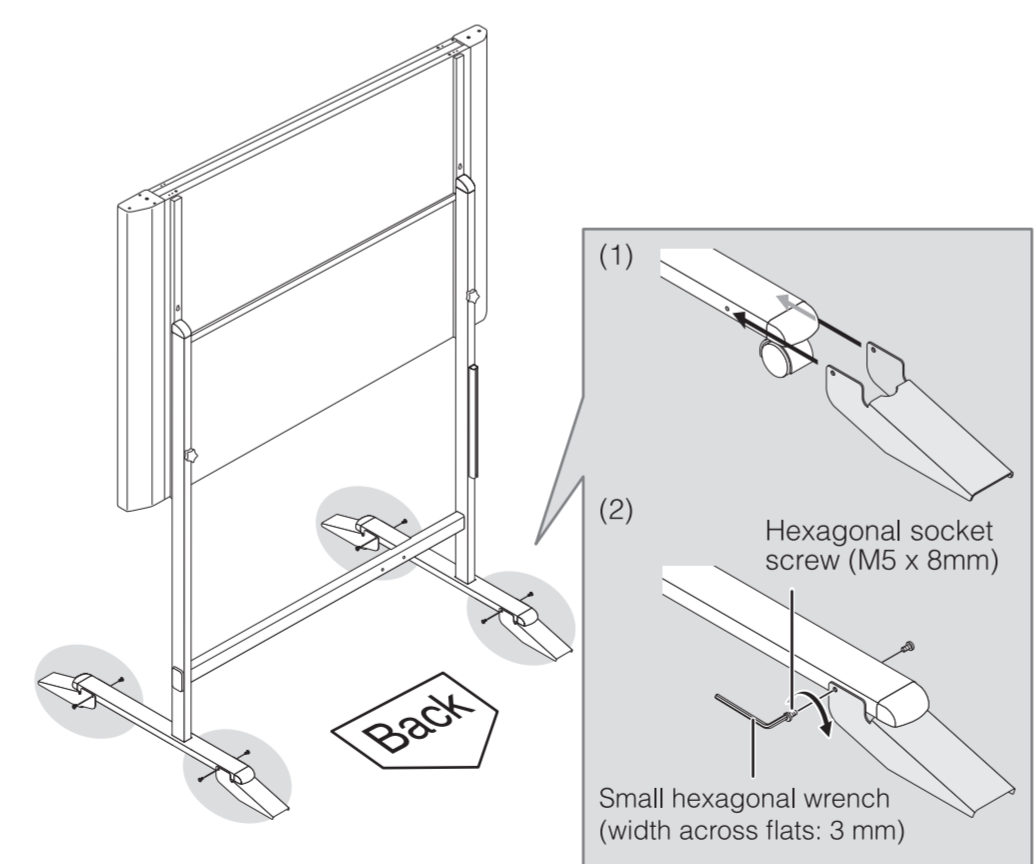


4 Attach the main unit to the stand legs, and secure it with the locking knobs.

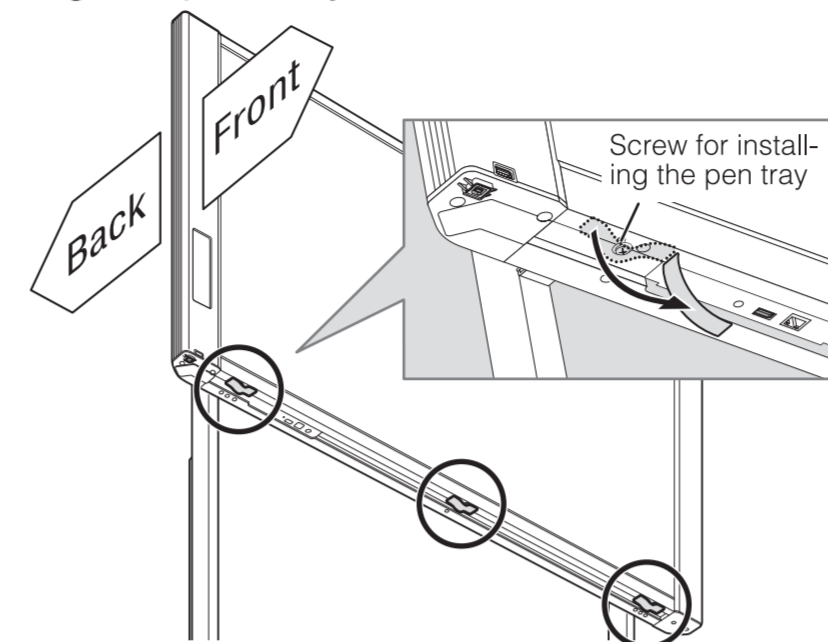
- Take care not to drop**
Please install the main unit on the stand with 2 or more people.
- Take care not to trap fingers**



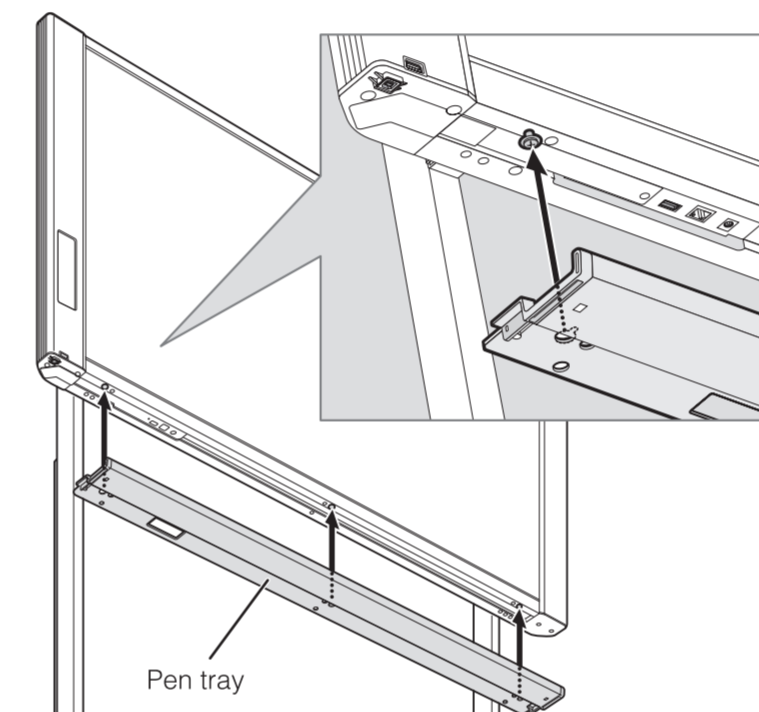
5 Mount the stabilizers.



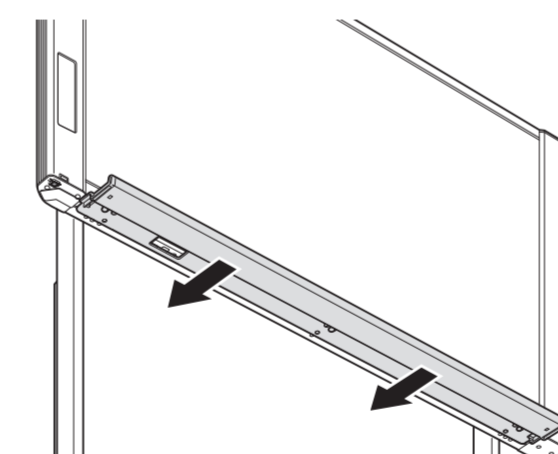
6 Remove the 3 pieces of tape (4 pieces for the wide type) attached to the screws for installing the pen tray at the bottom of the main unit.



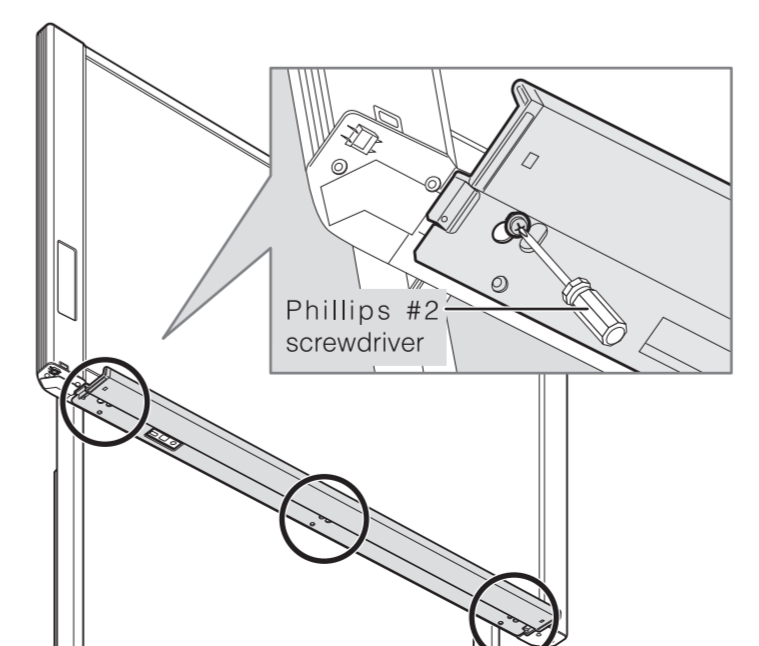
7 Connect the screw holes on the pen tray to the screws for installing the pen tray.



8 Slide the pen tray in the direction of the arrow.



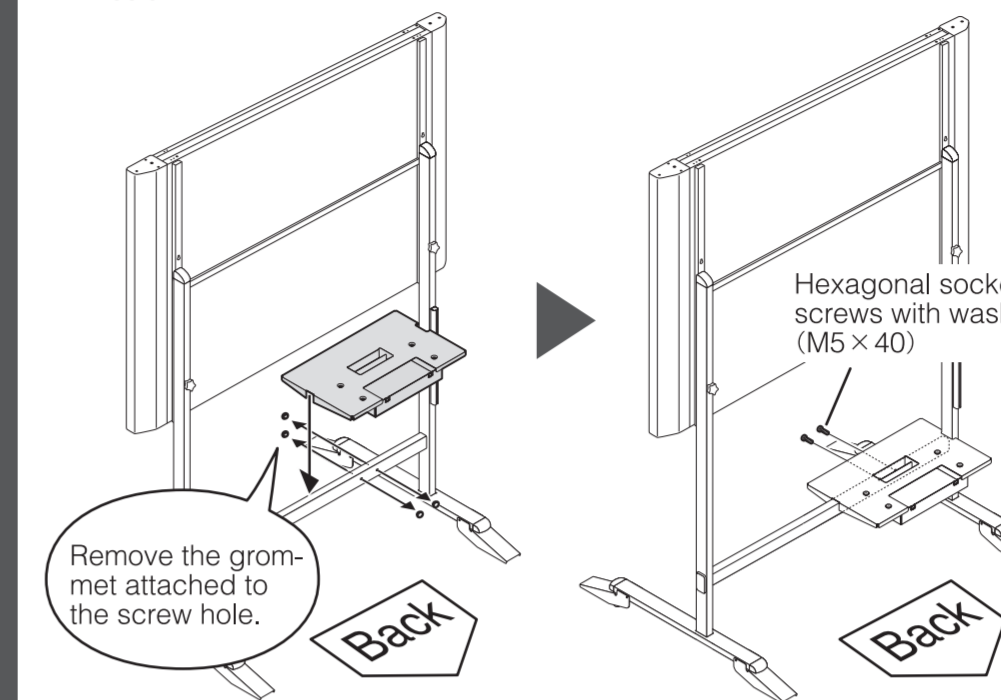
9 Tighten the screws for attaching the pen tray (3 places) (4 places for the wide type).



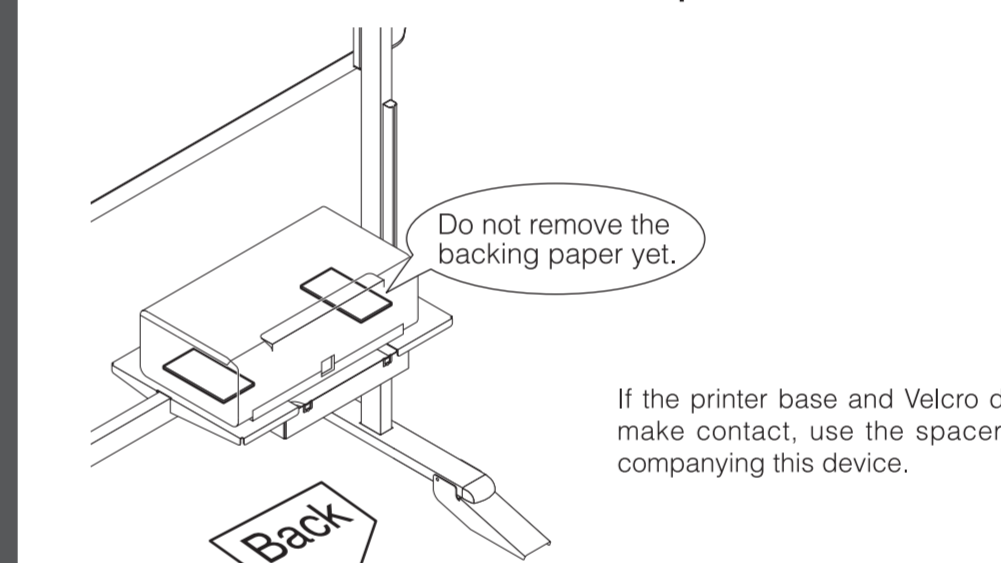
Installing the Printer Tray (option)

1 Attach the printer tray to the horizontal bar.

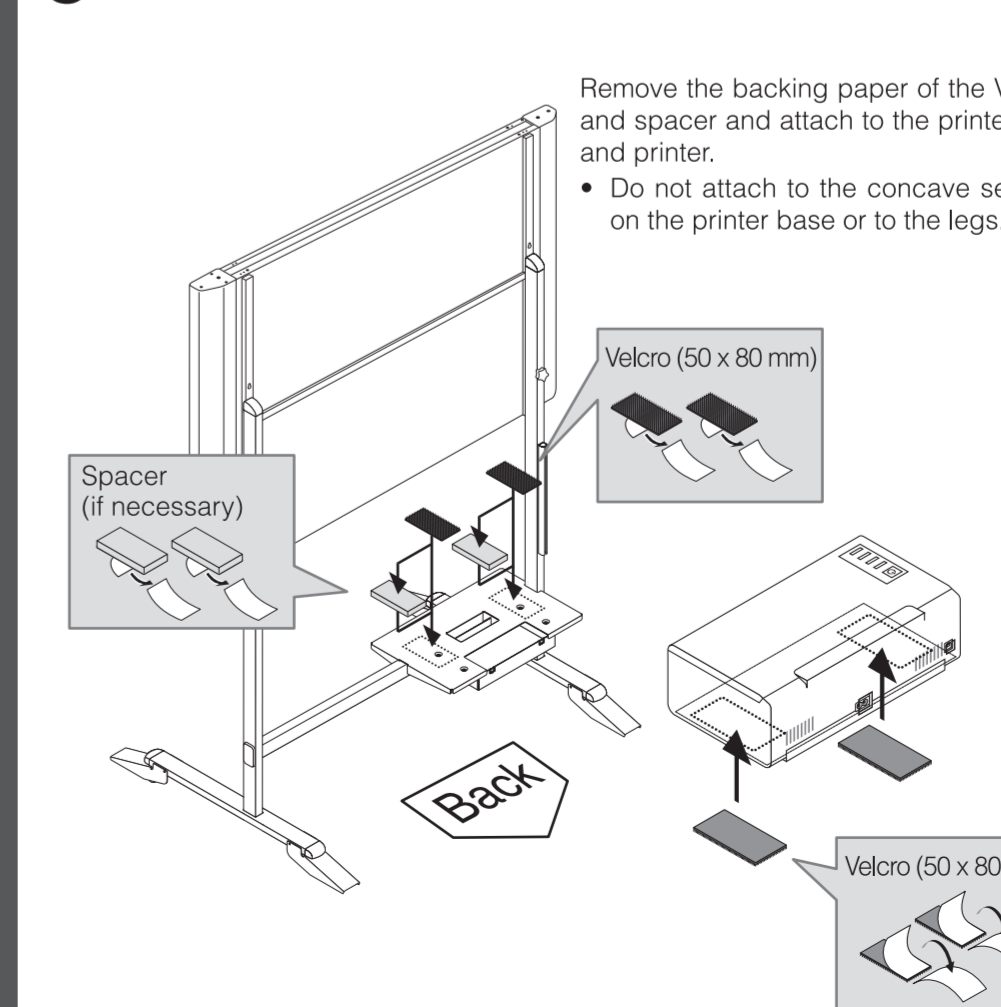
- (1) Place the printer tray on the stand in the direction shown in the figure below.
- (2) Secure using the printer tray mounting screws.



2 Sandwich the Velcro between the printer and the printer tray and check that it makes contact with the bottom of the printer.

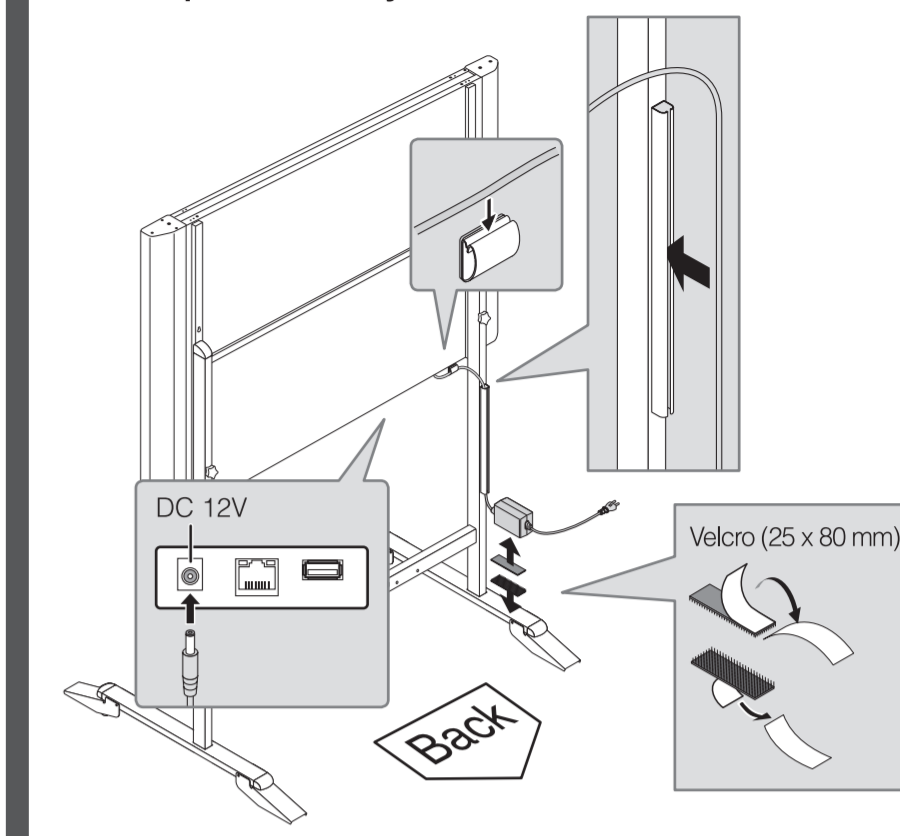


3 Attach the Velcro to prevent the printer falling.

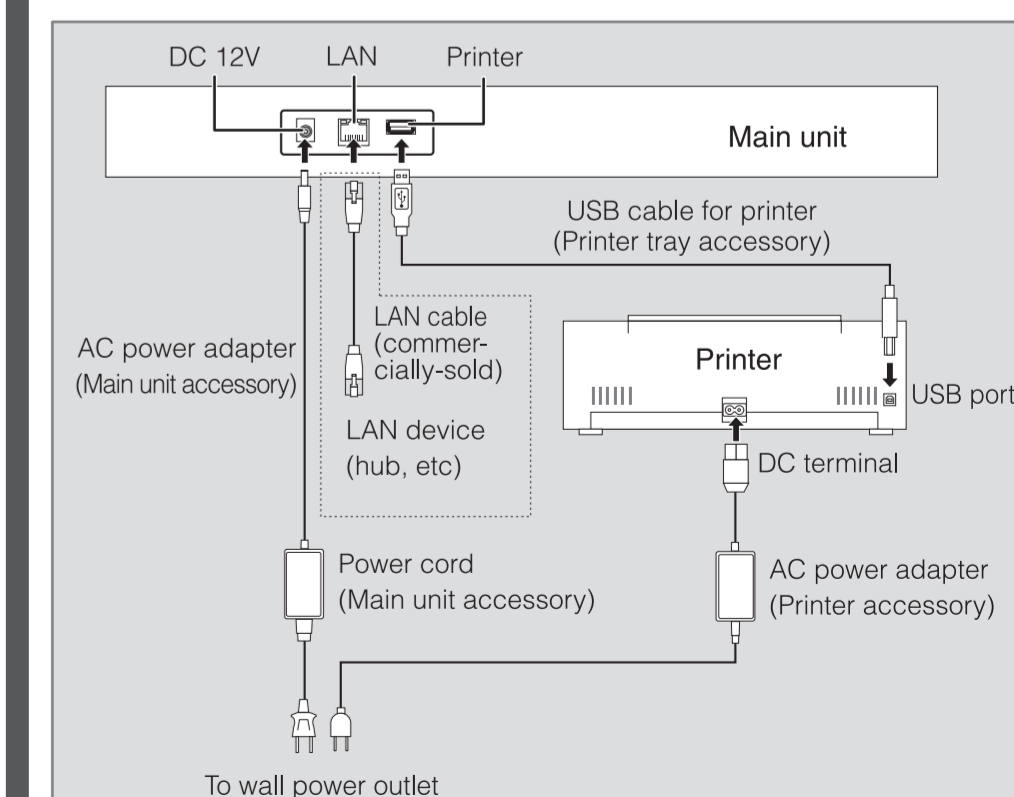
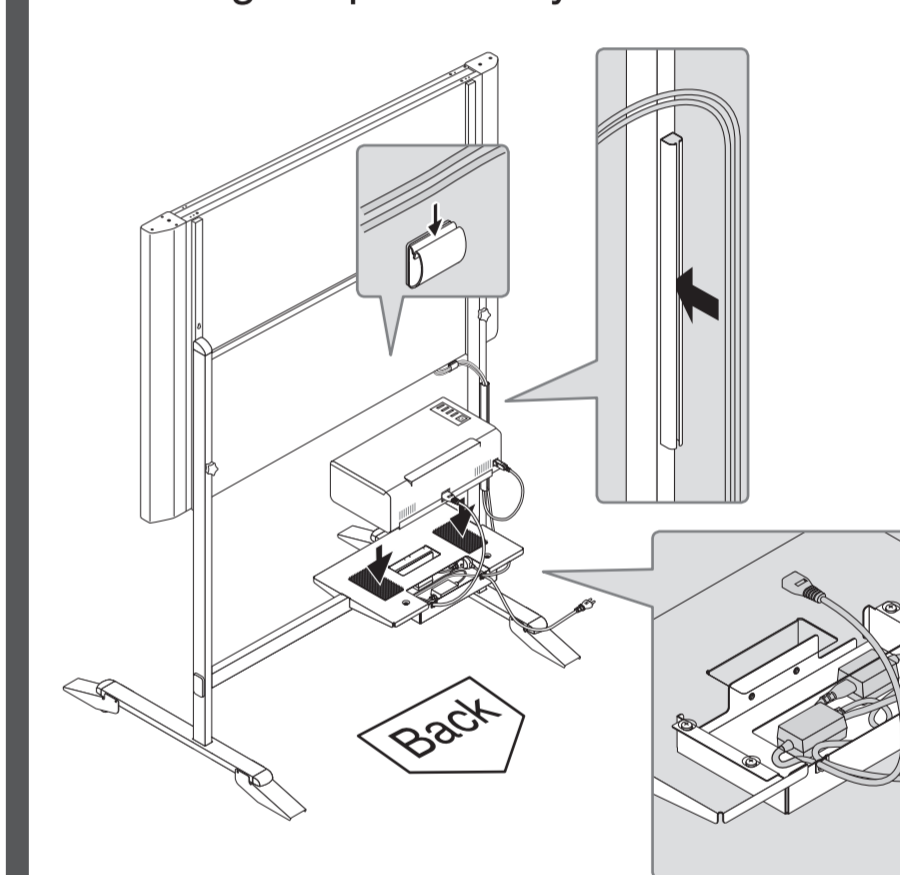


Connecting the Cables

If a printer tray is not used



If using the printer tray



The AC power adapters of accessories and printers that have been verified as operable may differ from the ones shown in the wiring diagram (they may be of the built-in or mounted-on type).