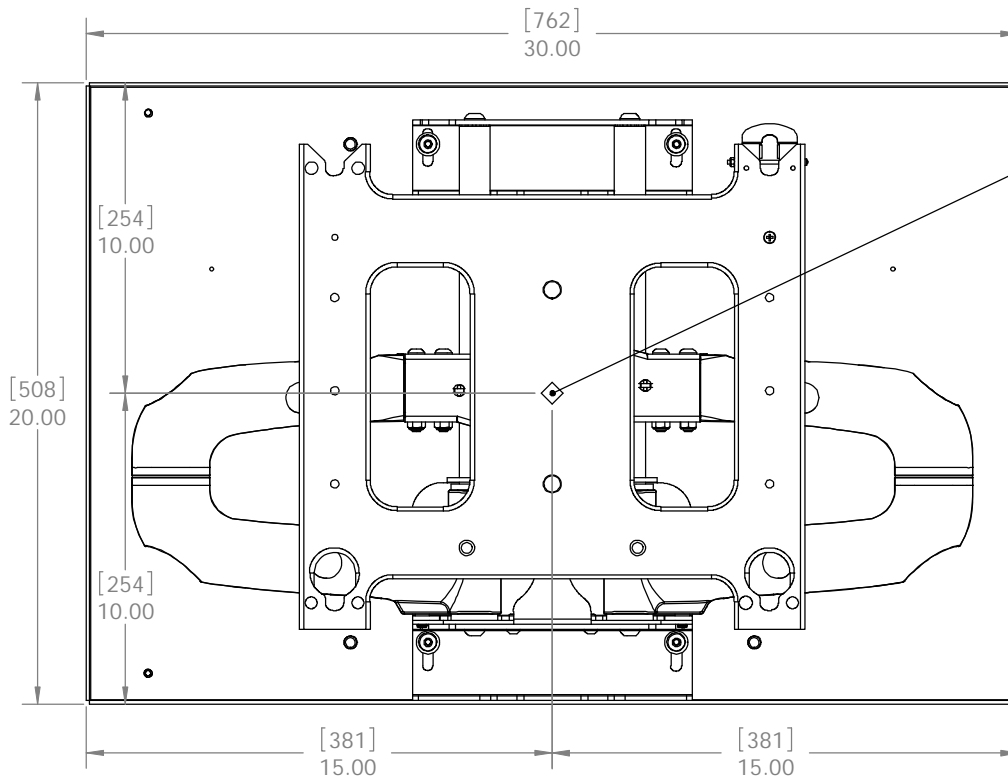


NOTE: CUSTOM INTERFACE BRACKET
 NOT SHOWN. THE CUSTOM INTERFACE
 BRACKET NEEDED FOR YOUR DISPLAY
 WILL ADD BETWEEN 1/2" AND 2" IN DEPTH
 AND MAY AFFECT THE LOCATION OF THE DISPLAY
 ON THE MOUNT.

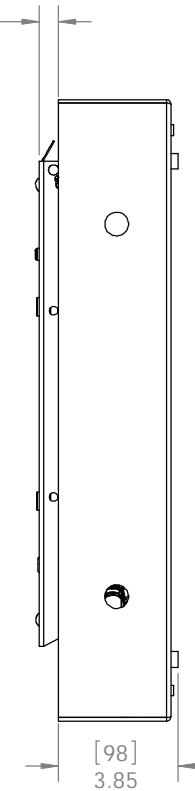
PNRIW SHOWN IN PAC-501 WHICH MUST BE ORDERED SEPARATELY

SEE PSB-XXXX DRAWING ALSO



[16]
.62
ADDED DEPTH
WHEN RETRACTED

C/L OF 14"
MOUNTING PATTERN



CHIEF MANUFACTURING INC.
 MOUNT ORDER NUMBER IS PNRIW
 PHONE: 1-800-582-6480

SHEET SCALE = 1:4

THE INFORMATION AND DESIGNS CONTAINED
 IN THIS DRAWING ARE CONFIDENTIAL AND THE
 PROPRIETARY PROPERTY OF CHIEF MFG., INC.
 NEITHER THIS DESIGN NOR ANY INFORMATION
 CONTAINED IN THIS DRAWING MAY BE
 REPRODUCED OR DISCLOSED TO OTHERS
 WITHOUT THE EXPRESS WRITTEN CONSENT OF
 CHIEF MFG., INC.



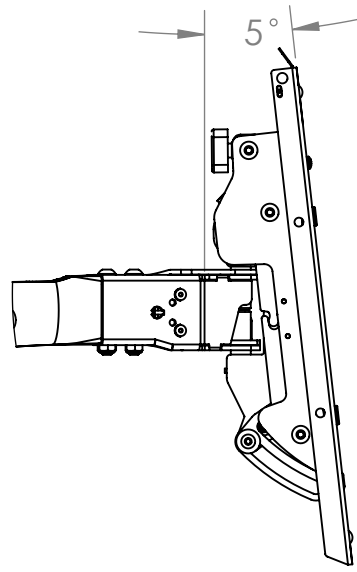
8401 EAGLE CREEK PKY
 SUITE #700
 SAVAGE, MN 55378
 PHONE: 952-894-6280
 FAX: 877-694-6918

TITLE
**CUSTOMER PRINT
 PNRIW**

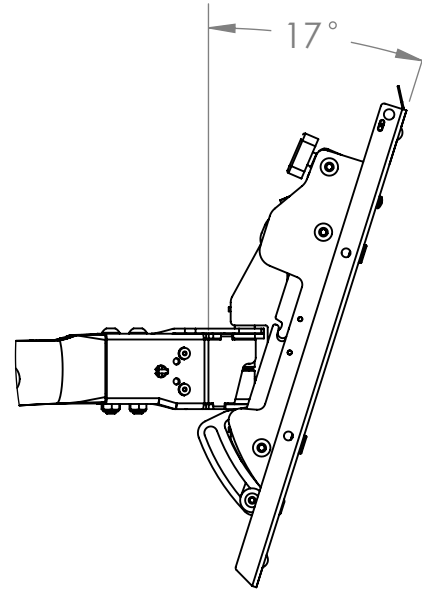
SIZE DWG. NO.
 B PNRIW

TILT ADJUSTMENT

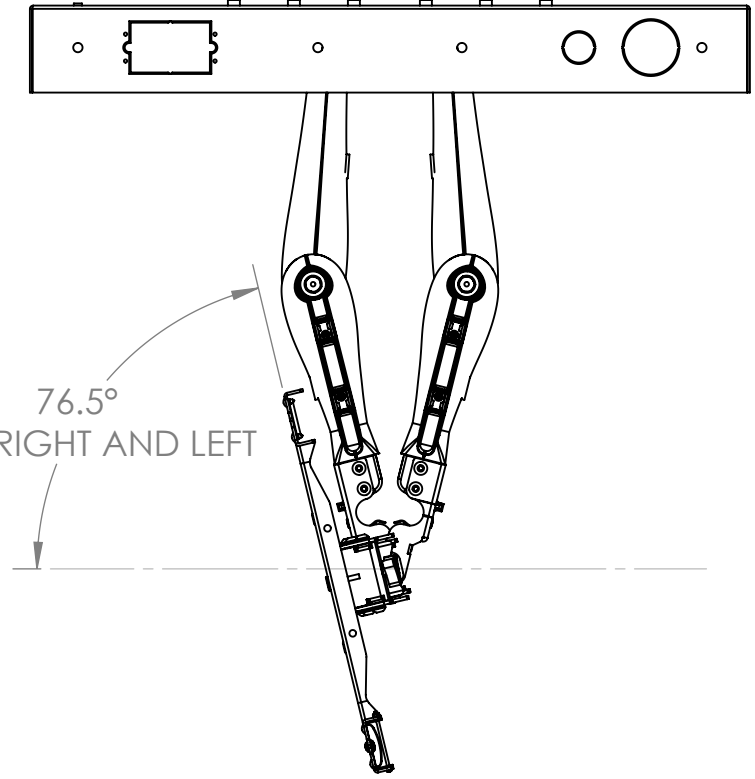
TILTED UP



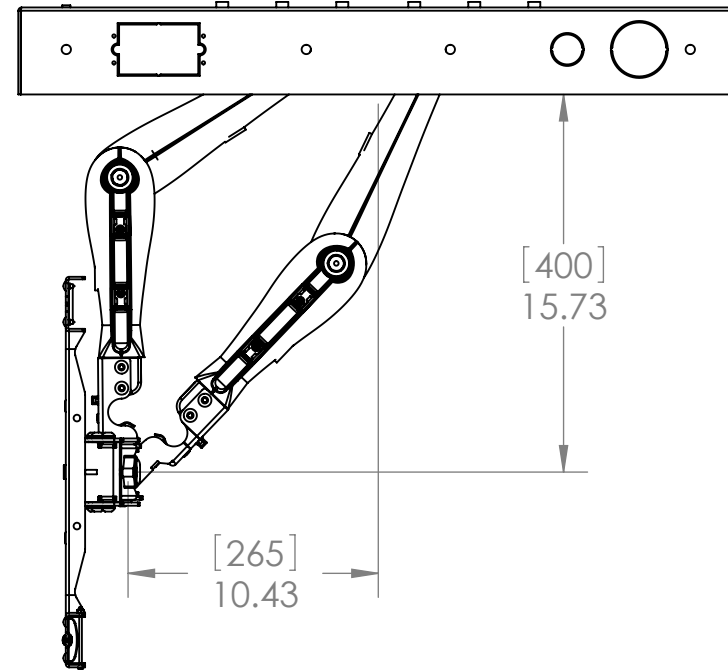
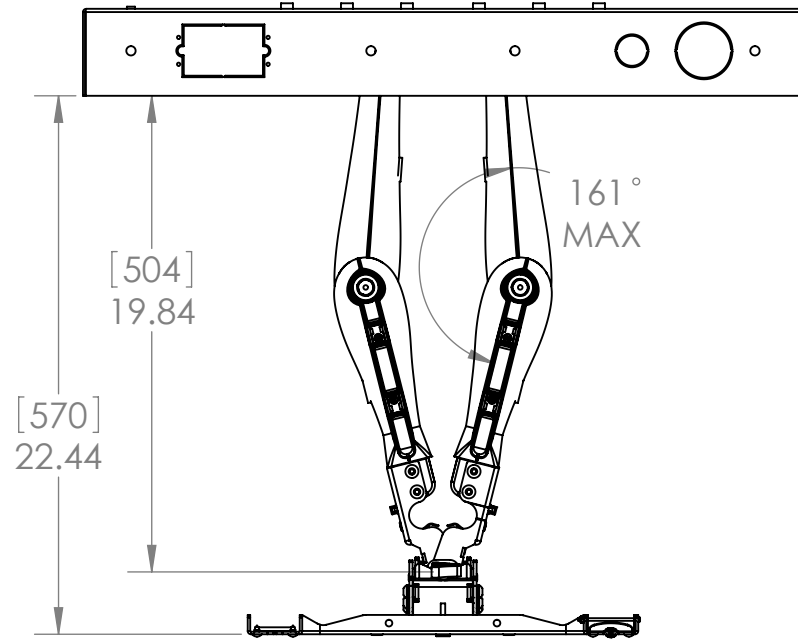
TILTED DOWN



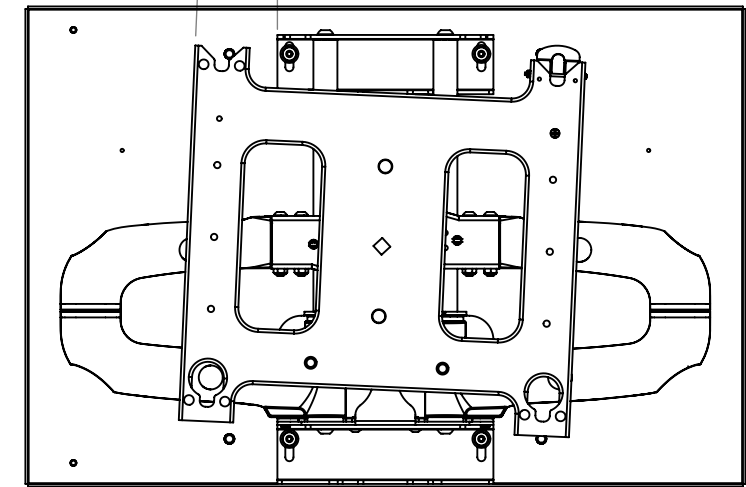
76.5°
MAX RIGHT AND LEFT



161°
MAX



2°



ROLL ADJUSTMENT



CHIEF MANUFACTURING INC.
MOUNT ORDER NUMBER IS PNRIW
PHONE: 1-800-582-6480

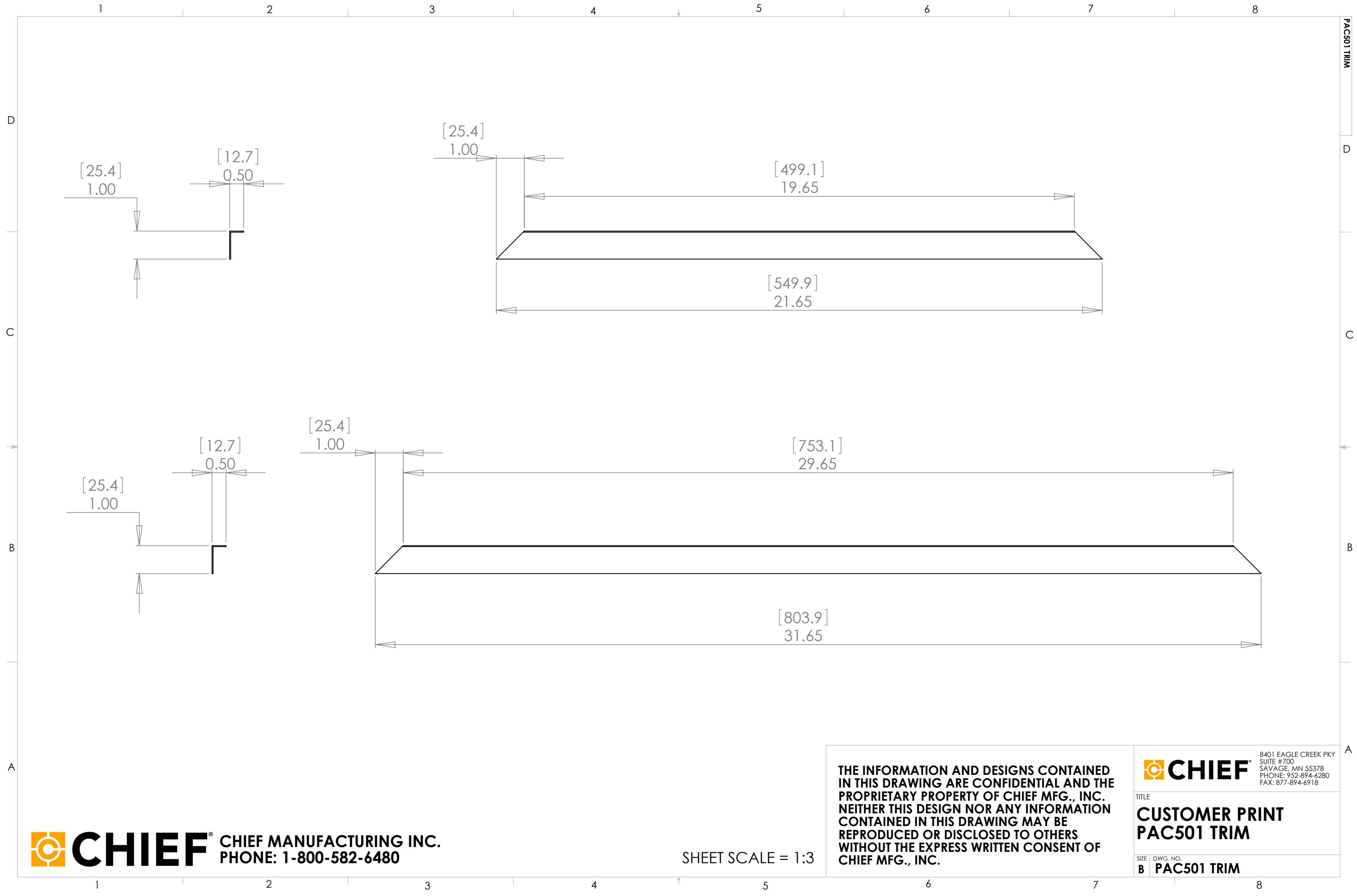
THE INFORMATION AND DESIGNS CONTAINED IN THIS DRAWING ARE CONFIDENTIAL AND THE PROPRIETARY PROPERTY OF CHIEF MFG., INC. NEITHER THIS DESIGN NOR ANY INFORMATION CONTAINED IN THIS DRAWING MAY BE REPRODUCED OR DISCLOSED TO OTHERS WITHOUT THE EXPRESS WRITTEN CONSENT OF CHIEF MFG., INC.



8401 EAGLE CREEK PKY
SUITE #700
SAVAGE, MN 55378
PHONE: 952-894-6280
FAX: 877-894-6918

TITLE
**CUSTOMER PRINT
PNRIW**

SIZE DWG. NO.
B PNRIW



THE INFORMATION AND DESIGNS CONTAINED IN THIS DRAWING ARE CONFIDENTIAL AND THE PROPRIETARY PROPERTY OF CHIEF MFG., INC. NEITHER THIS DESIGN NOR ANY INFORMATION CONTAINED IN THIS DRAWING MAY BE REPRODUCED OR DISCLOSED TO OTHERS WITHOUT THE EXPRESS WRITTEN CONSENT OF CHIEF MFG., INC.