

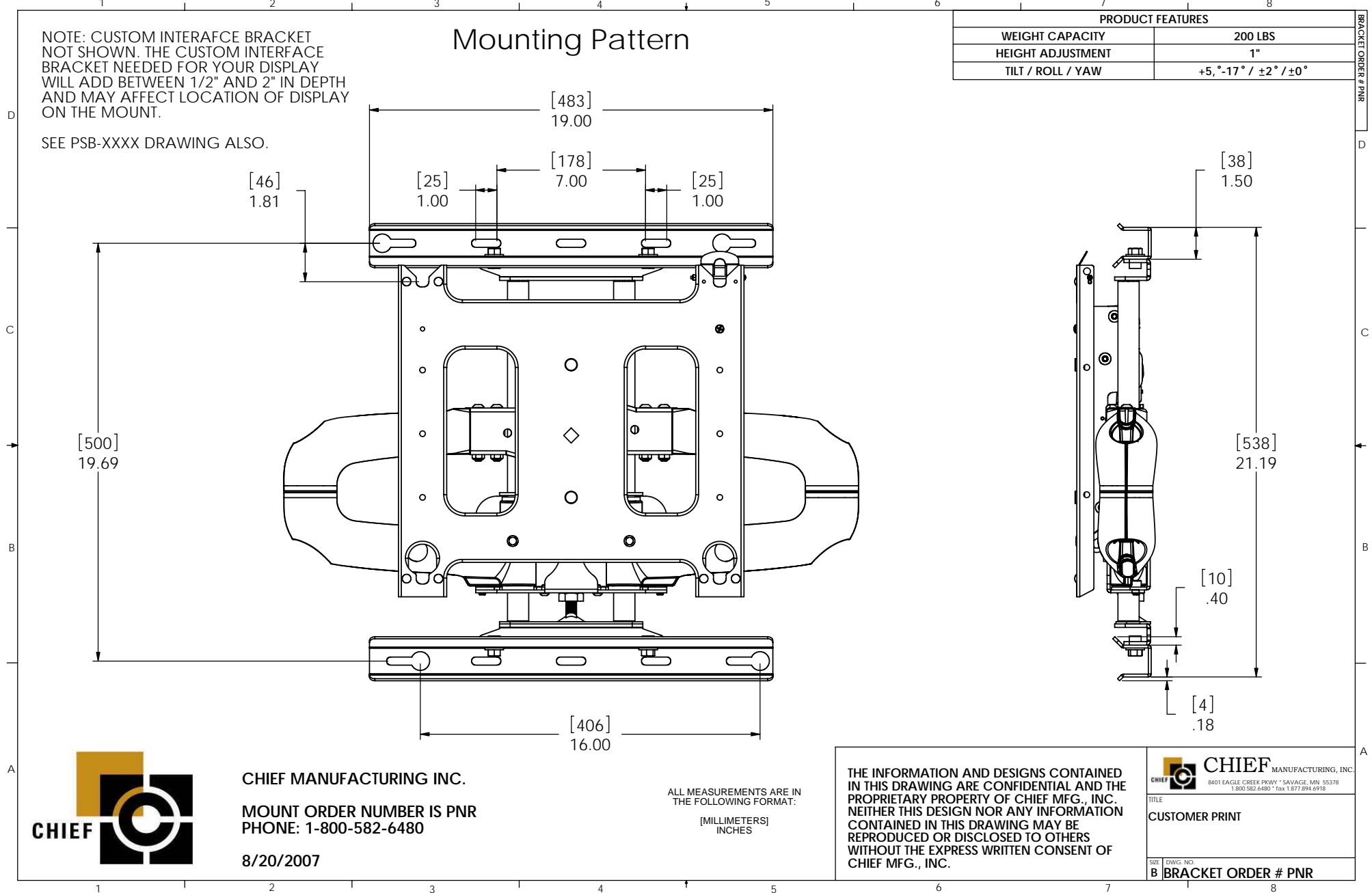
NOTE: CUSTOM INTERAFCE BRACKET NOT SHOWN. THE CUSTOM INTERFACE BRACKET NEEDED FOR YOUR DISPLAY WILL ADD BETWEEN 1/2" AND 2" IN DEPTH AND MAY AFFECT LOCATION OF DISPLAY ON THE MOUNT.

SEE PSB-XXXX DRAWING ALSO.

Mounting Pattern

PRODUCT FEATURES

WEIGHT CAPACITY	200 LBS
HEIGHT ADJUSTMENT	1"
TILT / ROLL / YAW	+5, °-17° / ±2° / ±0°



CHIEF MANUFACTURING INC.

MOUNT ORDER NUMBER IS PNR
PHONE: 1-800-582-6480

8/20/2007

ALL MEASUREMENTS ARE IN THE FOLLOWING FORMAT:

[MILLIMETERS]
INCHES

THE INFORMATION AND DESIGNS CONTAINED IN THIS DRAWING ARE CONFIDENTIAL AND THE PROPRIETARY PROPERTY OF CHIEF MFG., INC. NEITHER THIS DESIGN NOR ANY INFORMATION CONTAINED IN THIS DRAWING MAY BE REPRODUCED OR DISCLOSED TO OTHERS WITHOUT THE EXPRESS WRITTEN CONSENT OF CHIEF MFG., INC.

CHIEF MANUFACTURING, INC.
8401 EAGLE CREEK PKWY • SAVAGE, MN 55378
1.800.582.6480 • FAX 1.877.894.6918

TITLE
CUSTOMER PRINT

SEE DWG. NO.
B BRACKET ORDER # PNR

BRACKET ORDER # PNR

D

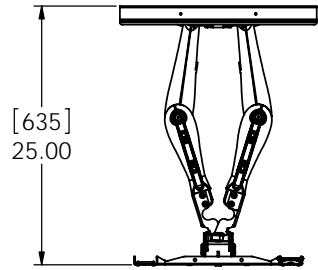
C

B

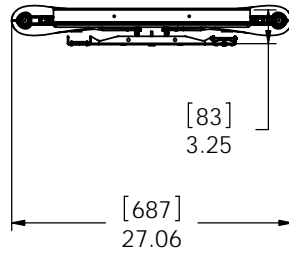
A

Unit Depth

Extended

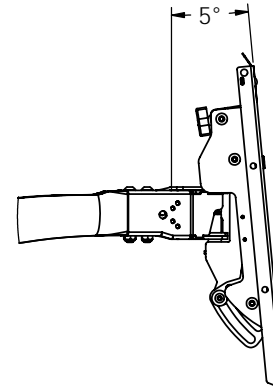


Retracted

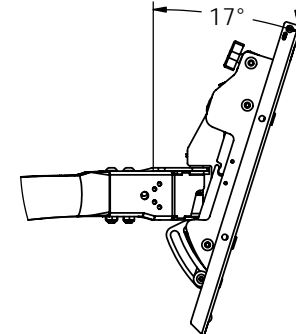


Tilt Adjustment *

Tilted Up

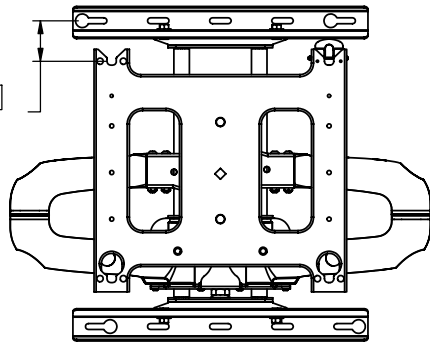


Tilted Down



*The range of adjustment will vary with different size screens

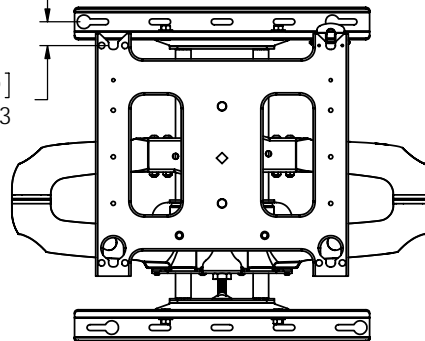
[66]
2.61



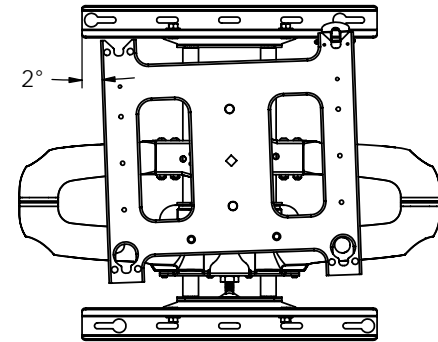
Lowest Height Setting

Highest Height Setting

[39]
1.53



2°



Roll Adjustment

THE INFORMATION AND DESIGNS CONTAINED IN THIS DRAWING ARE CONFIDENTIAL AND THE PROPRIETARY PROPERTY OF CHIEF MFG., INC. NEITHER THIS DESIGN NOR ANY INFORMATION CONTAINED IN THIS DRAWING MAY BE REPRODUCED OR DISCLOSED TO OTHERS WITHOUT THE EXPRESS WRITTEN CONSENT OF CHIEF MFG., INC.

CHIEF MANUFACTURING, INC.
12800 HWY 13 SOUTH STE. 500 • SAVAGE, MN 55378
1.800.582.6480 • FAX 1.877.894.6918

TITLE
CUSTOMER PRINT

SEE DWG. NO.
B BRACKET ORDER # PNR

BRACKET ORDER # PNR

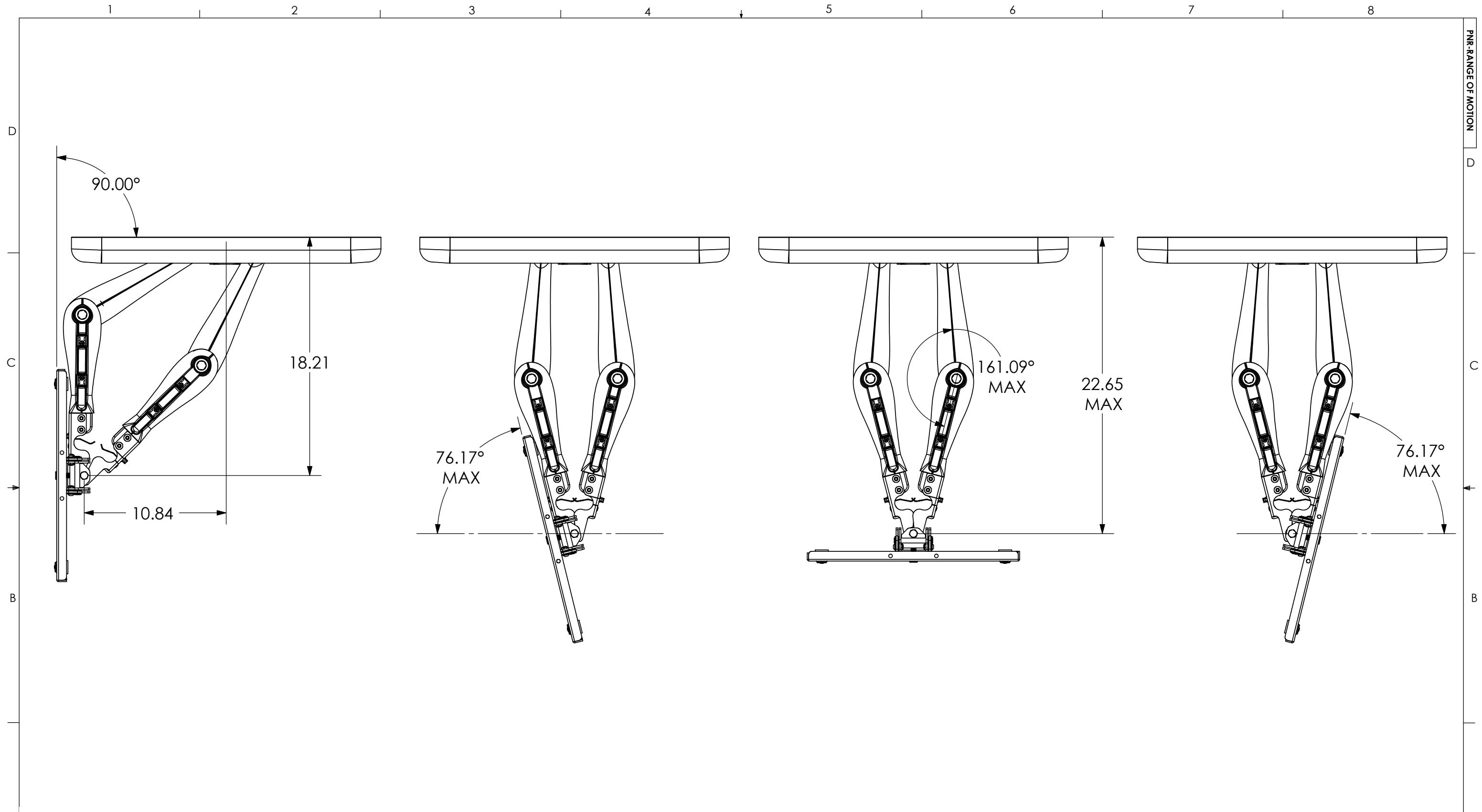
D

C

B

A

1 2 3 4 5 6 7 8



CHIEF MANUFACTURING INC.
MOUNT ORDER NUMBER IS PNR-RANGE OF MOTION
PHONE: 1-800-582-6480

SHEET SCALE = 1:7

THE INFORMATION AND DESIGNS CONTAINED IN THIS DRAWING ARE CONFIDENTIAL AND THE PROPRIETARY PROPERTY OF CHIEF MFG., INC. NEITHER THIS DESIGN NOR ANY INFORMATION CONTAINED IN THIS DRAWING MAY BE REPRODUCED OR DISCLOSED TO OTHERS WITHOUT THE EXPRESS WRITTEN CONSENT OF CHIEF MFG., INC.

 CHIEF MANUFACTURING, INC. <small>8401 EAGLE CREEK PKWY STE. 700, SAVAGE, MN 55378 1.800.582.6480 * FAX 1.877.894.6918</small>	
TITLE	
CUSTOMER PRINT	
PNR-RANGE OF MOTION	
SIZE	DWG. NO.
B	PNR-RANGE OF MOTION