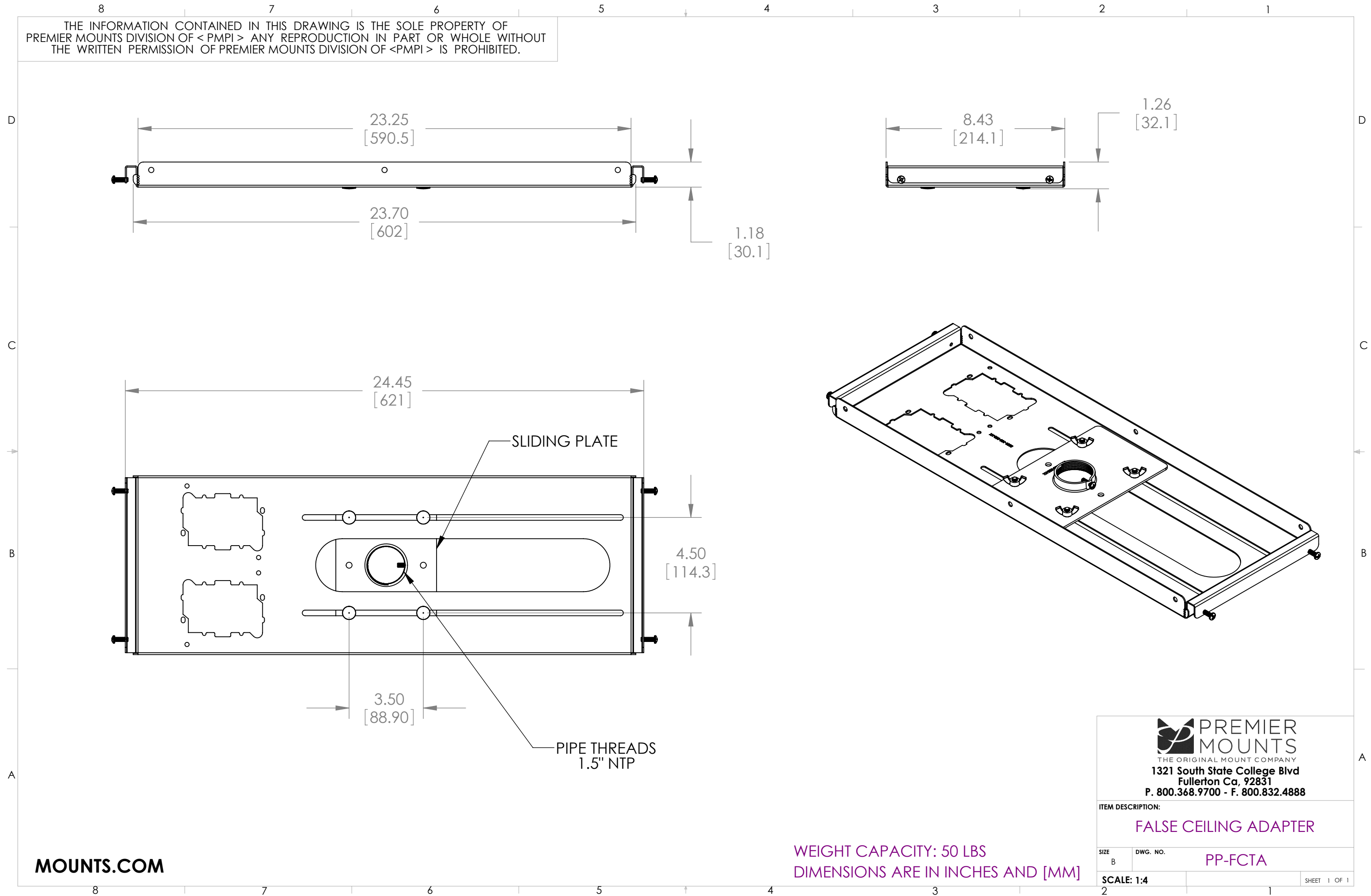


THE INFORMATION CONTAINED IN THIS DRAWING IS THE SOLE PROPERTY OF PREMIER MOUNTS DIVISION OF <PMPI> ANY REPRODUCTION IN PART OR WHOLE WITHOUT THE WRITTEN PERMISSION OF PREMIER MOUNTS DIVISION OF <PMPI> IS PROHIBITED.



MOUNTS.COM

WEIGHT CAPACITY: 50 LBS  
 DIMENSIONS ARE IN INCHES AND [MM]

**PREMIER MOUNTS**  
 THE ORIGINAL MOUNT COMPANY  
 1321 South State College Blvd  
 Fullerton Ca, 92831  
 P. 800.368.9700 - F. 800.832.4888

ITEM DESCRIPTION:  
**FALSE CEILING ADAPTER**

SIZE B	DWG. NO. PP-FCTA
SCALE: 1:4	
SHEET 1 OF 1	