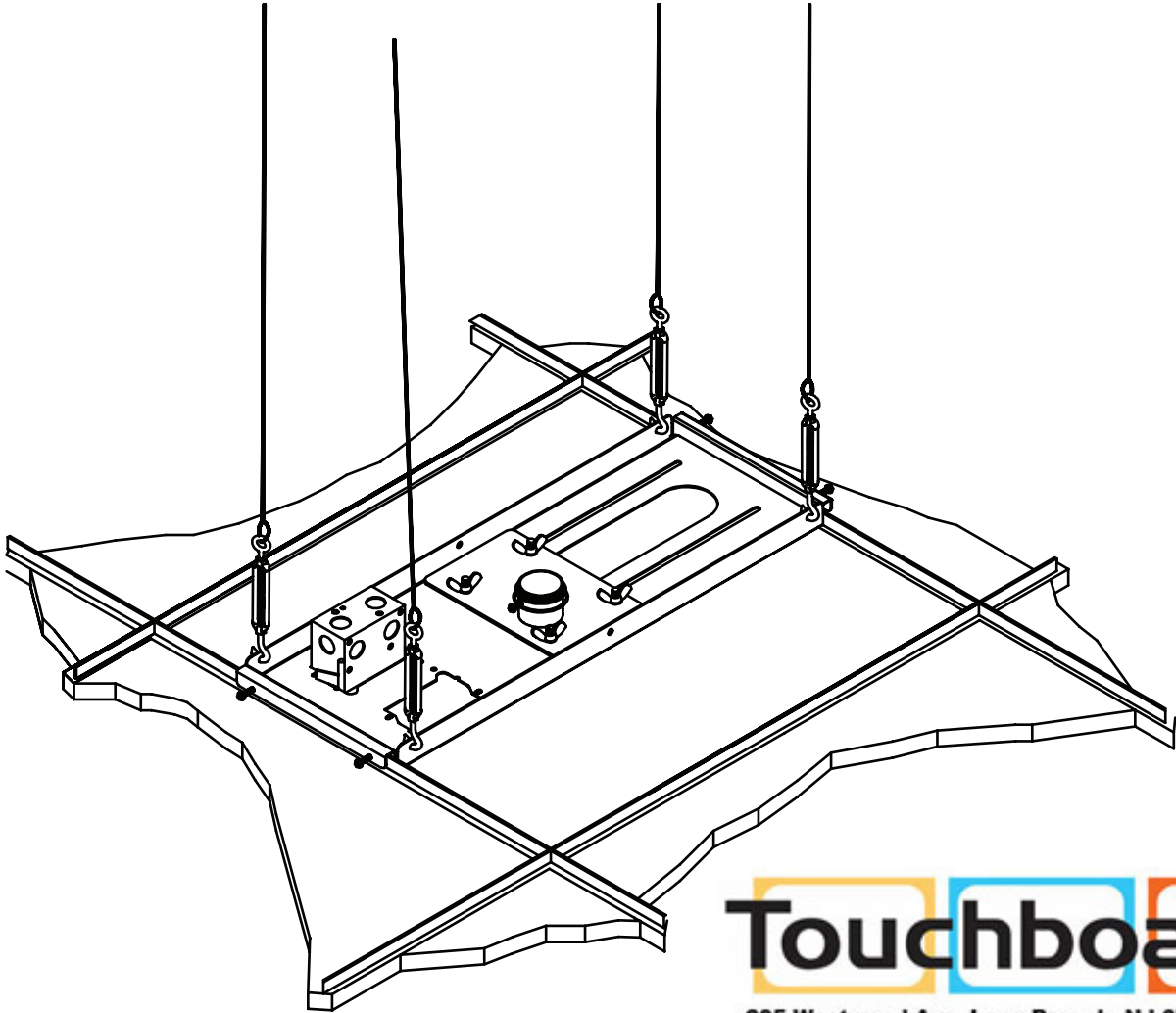


INSTALLATION INSTRUCTIONS



Touchboards

205 Westwood Ave, Long Branch, NJ 07740
Phone: 866-94 BOARDS (26273) / (732)-222-1511
Fax: (732)-222-7088 | E-mail: sales@touchboards.com

PP-FCTA Suspended Ceiling Adapter

NORTH AMERICA

3130 East Miraloma Avenue
Anaheim, CA 92806 USA
USA and Canada
Phone: 1.800.368.9700
Fax: 1.800.832.4888
Other Locations
Phone: (001).714.632.7100
Fax: (001).714.632.1044

EUROPE

Swallow House,
Shilton Industrial Estate,
Shilton, Coventry, England CV79JY
Phone: +44 (0) 2476 614700
Fax: +44 (0) 2476 614710



Contents

Weight Limit..... 2

Warning Statements..... 2

Installation Tools..... 3

Parts List..... 3

Features..... 4

PP-FCTA Installation..... 5

 Camera Screw Installation (optional)..... 6

 Mounting the PP-FCTA..... 7

 Securing the Ceiling Plate..... 8

 Electrical Box Cut-out Removal..... 8

 Ceiling Attachment..... 9

 Securing the 1 ½” NPT Pipe to the PP-FCTA..... 10

 Securing the Camera (optional)..... 11

Technical Specifications..... 11

Disclaimer..... 12

Weight Limit

Maximum Projector Weight: **50 lbs.**

THE CEILING STRUCTURE MUST BE CAPABLE OF SUPPORTING AT LEAST FIVE TIMES THE WEIGHT OF THE PROJECTOR. IF NOT, THE CEILING STRUCTURE MUST BE REINFORCED.

Warning Statements



PRIOR TO THE INSTALLATION OF THIS PRODUCT, THE INSTALLATION INSTRUCTIONS MUST BE READ AND COMPLETELY UNDERSTOOD. KEEP THESE INSTALLATION INSTRUCTIONS IN AN EASILY ACCESSIBLE LOCATION FOR FUTURE REFERENCE.



PROPER INSTALLATION PROCEDURE BY A QUALIFIED SERVICE TECHNICIAN MUST BE FOLLOWED, AS OUTLINED IN THESE INSTALLATION INSTRUCTIONS. FAILURE TO DO SO COULD RESULT IN PROPERTY DAMAGE, SERIOUS PERSONAL INJURY, OR EVEN DEATH.



SAFETY MEASURES MUST BE PRACTICED AT ALL TIMES DURING THE ASSEMBLY OF THIS PRODUCT. USE PROPER SAFETY EQUIPMENT AND TOOLS FOR THE ASSEMBLY PROCEDURE TO PREVENT PERSONAL INJURY.



PREMIER MOUNTS DOES NOT WARRANT AGAINST DAMAGE CAUSED BY THE USE OF ANY PREMIER MOUNTS PRODUCT FOR PURPOSES OTHER THAN THOSE FOR WHICH IT WAS DESIGNED OR DAMAGE CAUSED BY UNAUTHORIZED ATTACHMENTS OR MODIFICATIONS, AND IS NOT RESPONSIBLE FOR ANY DAMAGES, CLAIMS, DEMANDS, SUITS, ACTIONS OR CAUSES OF ACTION OF WHATEVER KIND RESULTING FROM, ARISING OUT OF OR IN ANY MANNER RELATING TO ANY SUCH USE, ATTACHMENTS OR MODIFICATIONS.



At least two qualified people should perform the assembly procedure. Personal injury and/or property damage can result from dropping or mishandling the projector.



This product is intended for indoor use only. Use of this product outdoors could lead to product failure and/or serious personal injury.



Do not install near sources of high heat. Do not install on a structure that is prone to vibration, movement or chance of impact.




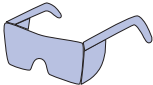
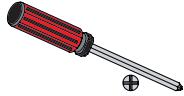



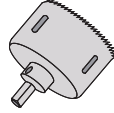


Contact Premier Mounts with any questions:
(800) 368-9700
techsupport@mounts.com



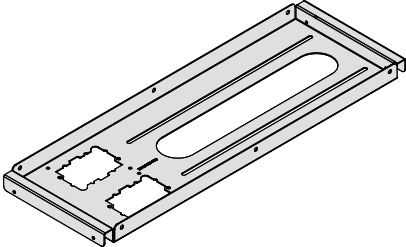
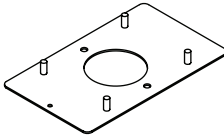
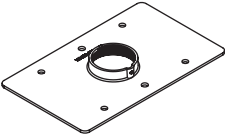
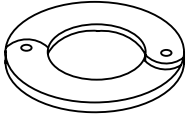
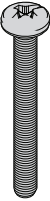
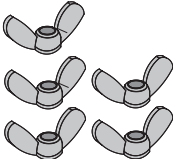
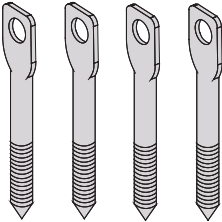
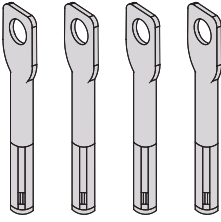
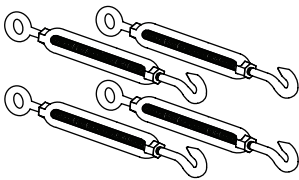
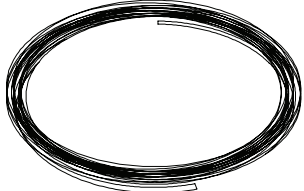
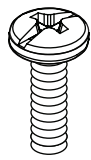
Installation Tools

The following tools may be required depending upon your particular installation. They are not included.

Ladder 	Hand Held Drill 	Pencil 	Protective Eyewear 	Phillips Tip Screwdriver 
1/8" Drill Bit 	1/4" Concrete Drill Bit 	Hammer 	Hole Saw 	

Parts List

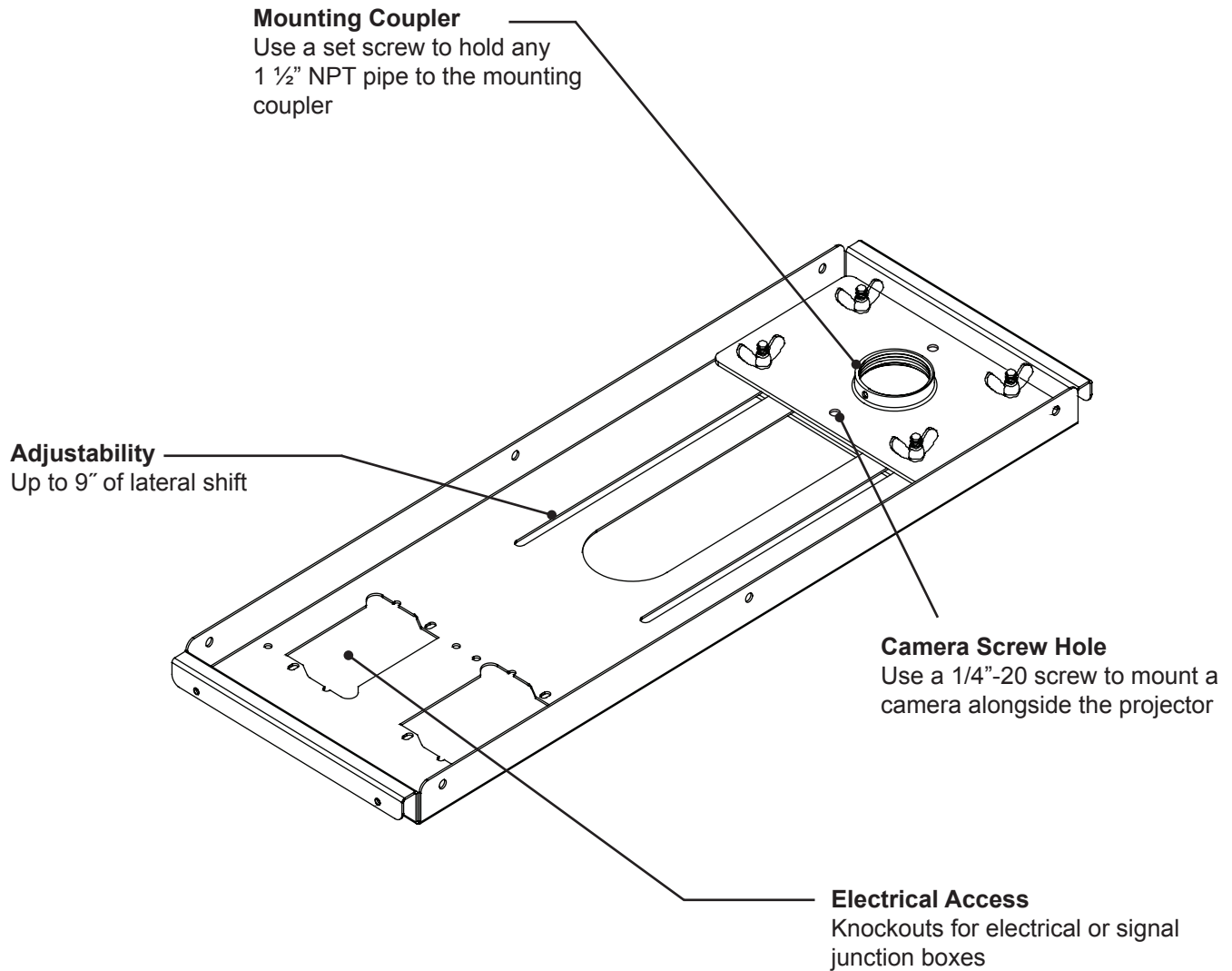
Make sure your Premier Mounts product has the following hardware and components before beginning installation. If there are parts missing and/or damaged, stop the installation and call Premier Mounts at (800) 368-9700.

PP-FCTA Mount Hardware				
 Main Ceiling Plate (Qty 1)	 Lower Adapter Plate (Qty 1)	 Upper Adapter Plate (Qty 1)		
 Escutcheon Ring (Qty 1)	 1/4"-20 x 2 3/4" Pan Phillip Head Screw (Qty 1)	 1/4"-20 Wing Nuts (Qty 5)	 1/4" x 3" Eye Lag Screws (Qty 4)	 M6 x 2.4" Concrete Anchors (Qty 4)
 1/4"-20 Turnbuckles (Qty 4)	 14-Gauge x 25' Galvanized Wire (Qty 4 Strands)	 M5 x 16mm Combo Screws (Qty 5)		



Features

The suspended ceiling adapter makes it easy to install and fine-tune the position of your overhead projector and organize its electrical wiring above the ceiling.





PP-FCTA Installation

Introduction

Read these instructions before installing your Premier Mounts product.

Make sure you have all the parts and tools you need to safely complete the installation.

Some of the steps in this installation may require two people to prevent personal injury and/or damage to the projector. Read all the warnings in the manual and always use proper safety equipment.

Ceiling Plate Assembly

- 1 Place the lower adapter plate with the threaded studs facing up through the adjustable slide slots of the main ceiling plate.



The threaded studs will align with the adjustable slide on the main ceiling plate.

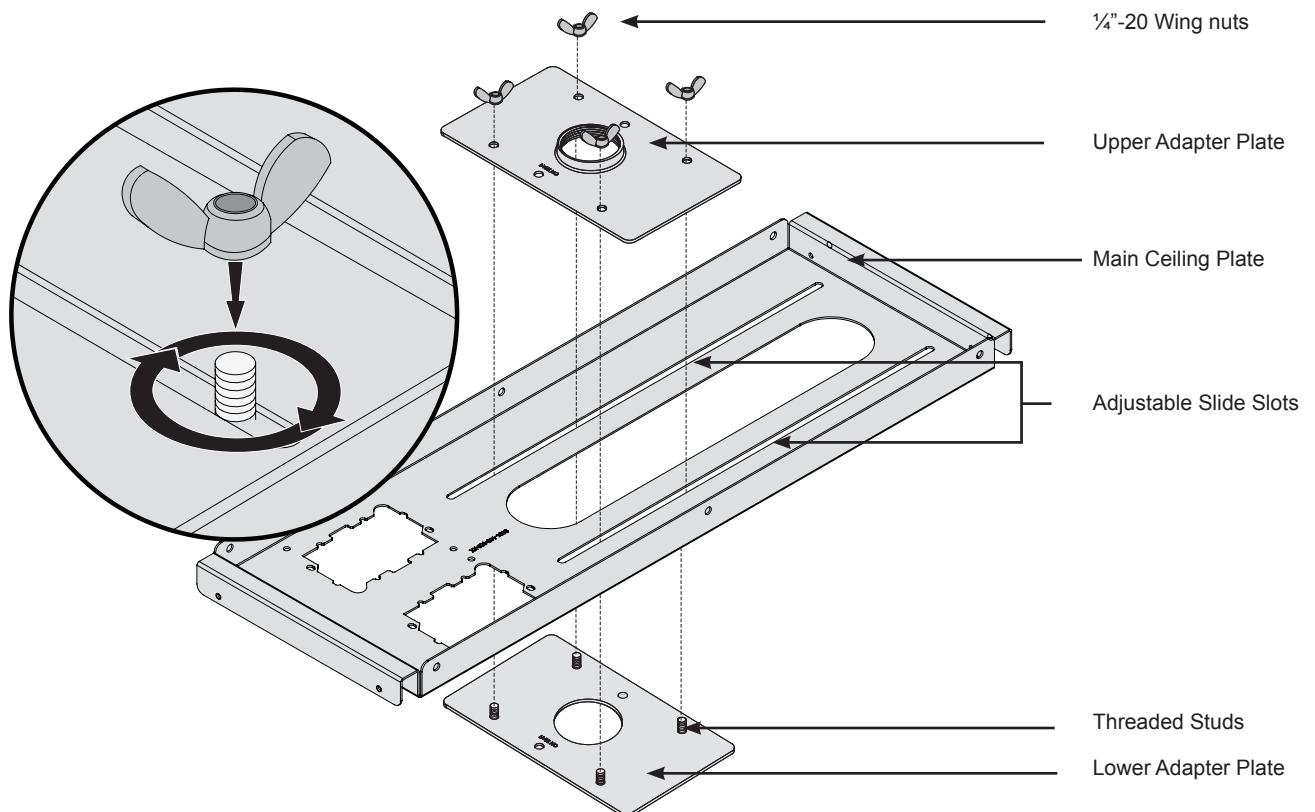
- 2 Once the two pieces are together, align the mounting holes on the upper adapter plate with the threaded studs of the lower adapter plate.

- 3 Place the three units together and loosely attach four (4) 1/4"-20 wing nuts onto the threaded studs (see inset below).

- ?** Are you adding a camera to the ceiling adapter?

If **Yes**, proceed to the **"Camera Screw Installation (optional)"** section on page 6.

If **No**, proceed to the **"Mounting the PP-FCTA"** section on page 7.





Camera Screw Installation (optional)



Make sure the camera supports one (1) 1/4"-20 screw.

- 1 Determine which screw hole on the upper adapter plate you will use to attach the camera.
- 2 Insert one (1) 1/4"-20 x 2 3/4" pan Phillips head screw through one (1) wing nut and the desired screw hole.

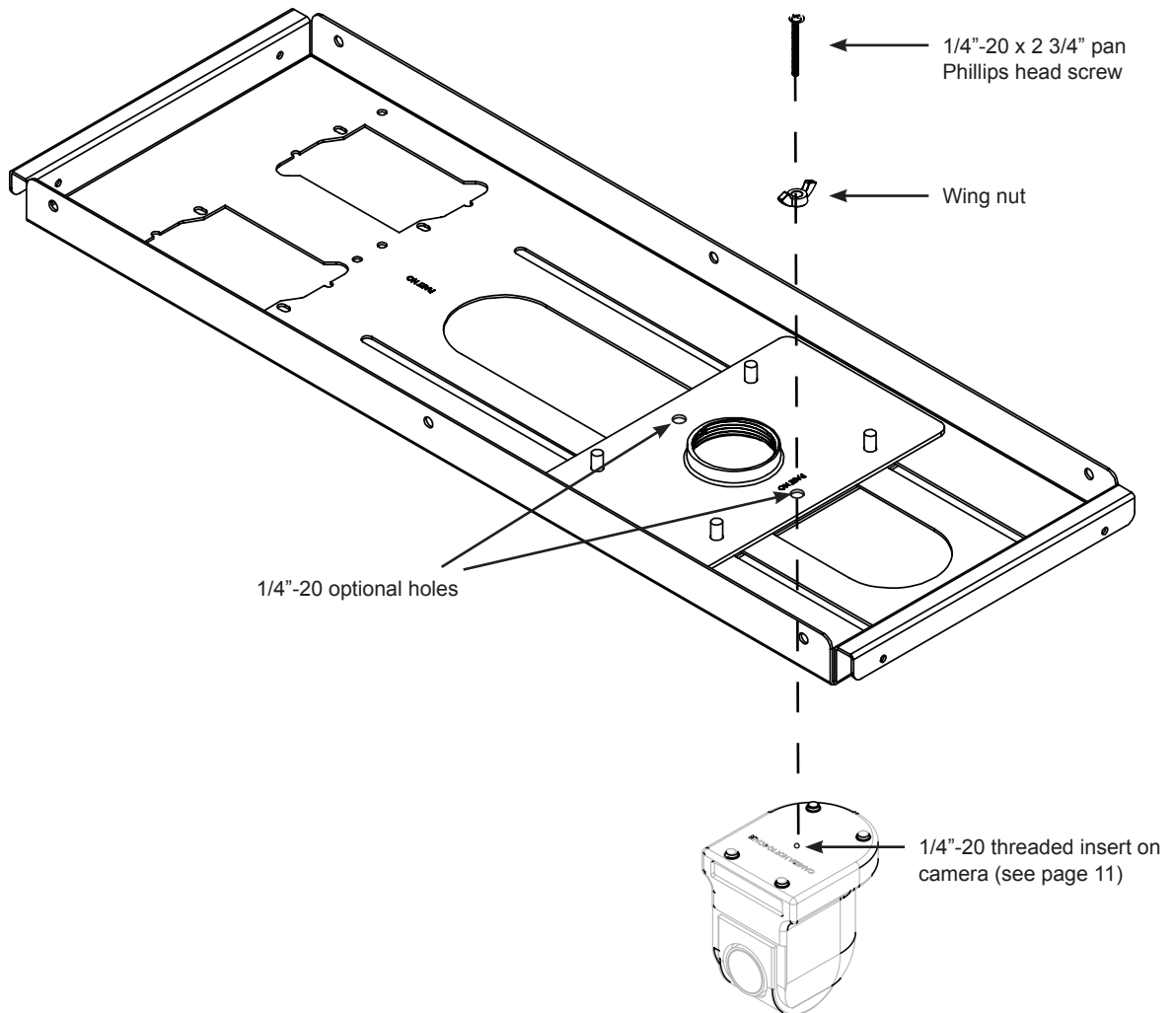


The screw should go through both the upper and lower adapter plates. It will later be used to mount the camera (see page 11).





Do not overtighten the mounting screw.

Proceed to the "Mounting the PP-FCTA" section.

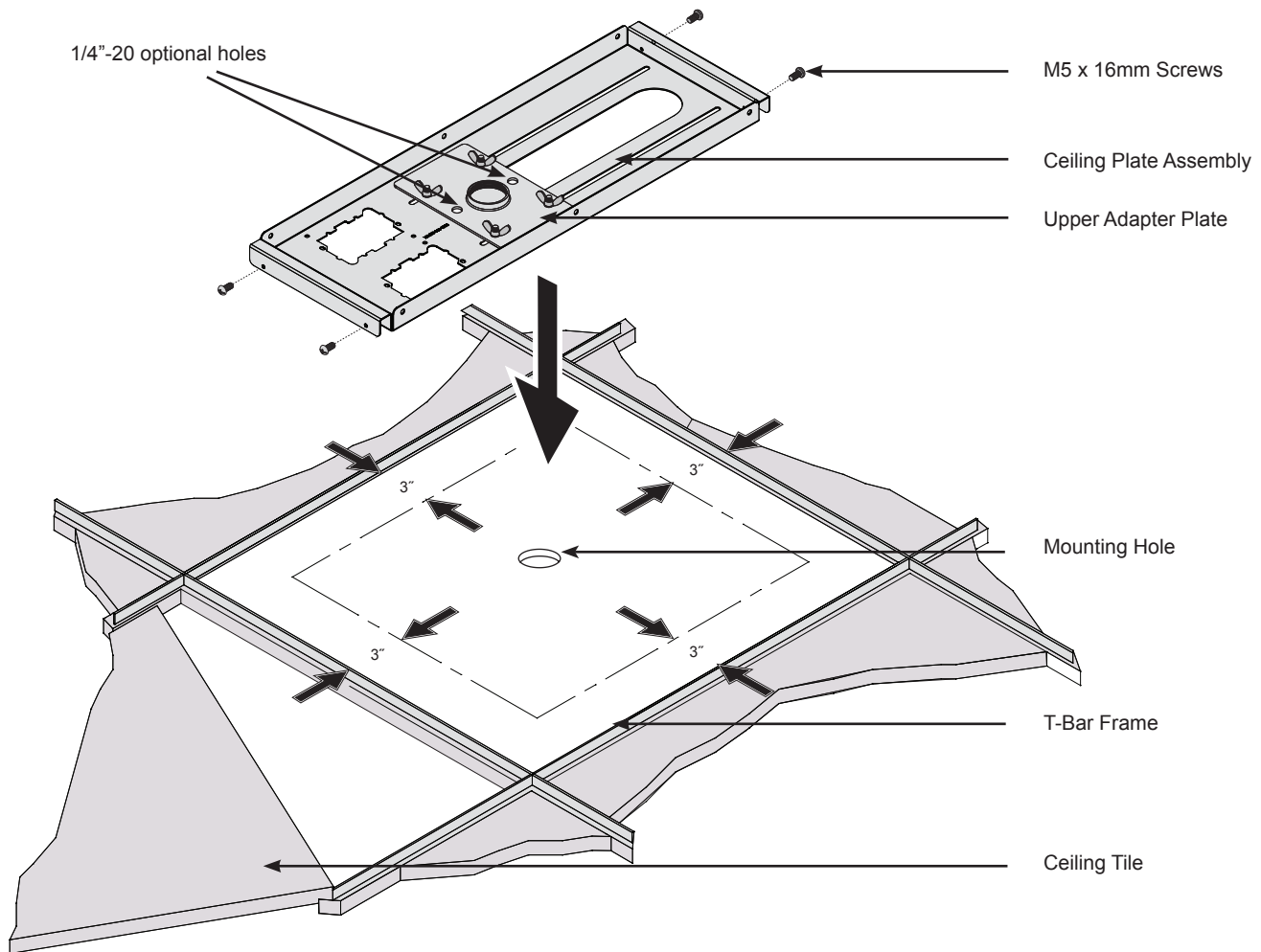




Mounting the PP-FCTA

- 1 Pre-set four (4) M5 x 16mm combo screws on the ceiling plate assembly (two on each end of the plate).
 -  The M5 x 16 mm screws may be attached on the inner or outer lip of the main ceiling plate.
- 2 Determine the ceiling tile you will use to attach the ceiling adapter.
- 3 Use a pencil to measure and mark 3" from each edge of the t-bar frames to the inside of the tile (see diagram).
- 4 Determine the mounting hole position inside the marked square of the tile and mark it with a pencil.
 -  If you are attaching a camera, mark an additional hole for the 1/4"-20 screw next to the mounting coupler.
- 5 Remove any of the 24" x 24" or 24" x 48" tiles that are surrounding the marked tile.
- 6 Cut the mounting hole (and camera screw hole).
- 7 Place the ceiling plate on the t-bar rails so that the mounting coupler can slide to align with the ceiling mounting hole.

Proceed to the "Securing the Ceiling Plate" section on page 8.



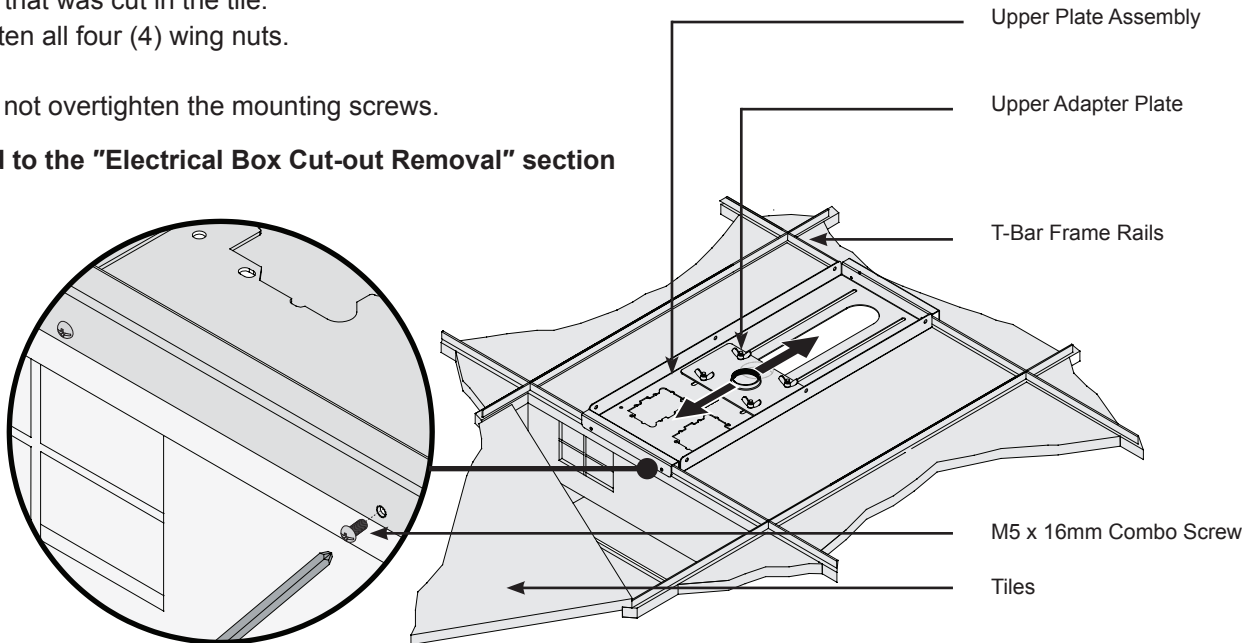


Securing the Ceiling Plate


- 1 Once the ceiling plate assembly is resting on the t-bar frame rails, use a screwdriver to tighten the four (4) M5 x 16mm combo screws.
- 2 Slide and center the upper plate assembly over the hole that was cut in the tile.
- 3 Tighten all four (4) wing nuts.

 Do not overtighten the mounting screws.

Proceed to the "Electrical Box Cut-out Removal" section below.

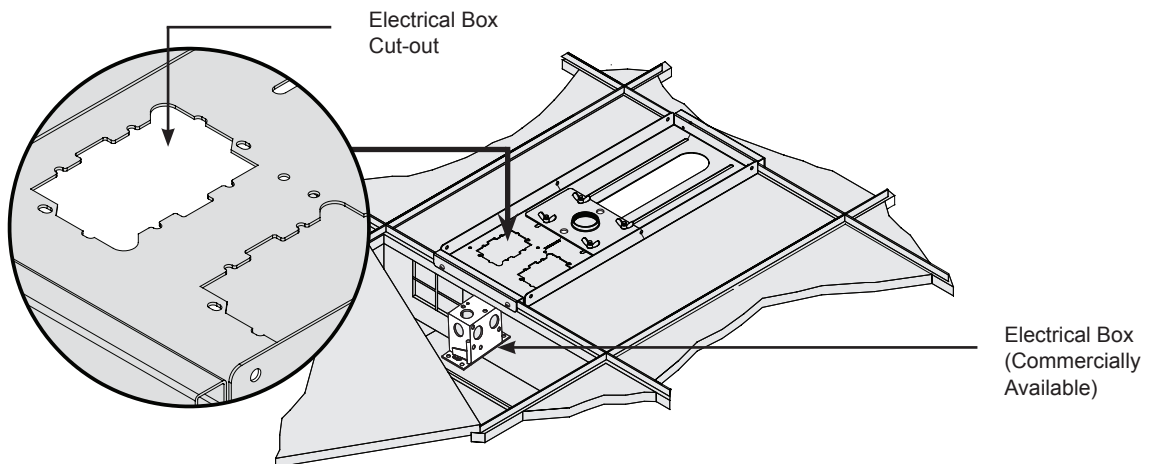


Electrical Box Cut-out Removal

 Electrical installation should be completed by a certified electrician.

- 1 Cut the tile where the electrical box is going to be secured.
- 2 Using (commercially available) hardware depending on electrical installation environment, install the electrical box and secure it to the ceiling plate assembly.
- 3 Make all electrical connections at this time.

Proceed to the "Attaching the Turnbuckles" section.








Ceiling Attachment

Hook the four (4) turnbuckles into the four corners of the main ceiling plate. Then choose one of the three ceiling attachment


Wood Stud Ceiling



- 1 Determine a suitable structure capable of supporting the intended weight to drill the mounting holes.
- 1  Set the holes so that wires from the main ceiling plate will angle 15 degrees outward (see Fig. 1).
- 2 Use a 1/8" drill bit to drill the mounting holes.
- 2 Secure the four (4) 1/4" eye lag screws to the wood stud in the ceiling.
- 4 Loop a wire through an eye lag screw (see Figure 2).
- 5 Twist the wire at least five (5) times around itself to secure it.
- 6 Run the other end of the wire through the turnbuckle.
- 7 Twist the wire at least five (5) times around itself to secure it.
- 8 Repeat steps 4-7 for the remaining three mounting points.

-  The final loop on the wire has to be tightly bent and secured to prevent it from untwisting. Twist the turnbuckles to fine-tune adjust.
-  Recheck all hardware and installation for proper tightness and security.

Proceed to the "Securing the 1 1/2" NPT to the PP-FCTA" on page 11.

Concrete Ceiling

- 1 Determine a suitable structure capable of supporting the intended weight to drill the mounting holes.
- 1  Set the holes so that wires from the main ceiling plate will angle 15 degrees outward (see Fig. 1).
- 2 Use a 1/4" concrete drill bit to drill the mounting holes.
- 3 Place the concrete anchors into the drilled hole and gently tap into place using a rubber mallet or hammer.
- 4 Loop a wire through a concrete anchor bolt (see Figure 2).
- 5 Twist the wire at least five (5) times around itself to secure it.
- 6 Run the other end of the wire through the turnbuckle.
- 7 Twist the wire at least five (5) times around itself to secure it.
- 8 Repeat steps 4-7 for the remaining three mounting points.

-  The final loop on the wire has to be tightly bent and secured to prevent it from untwisting. Twist the turnbuckles to fine-tune adjust.
-  Recheck all hardware and installation for proper tightness and security.

Proceed to the "Securing the 1 1/2" NPT to the PP-FCTA" on page 11.

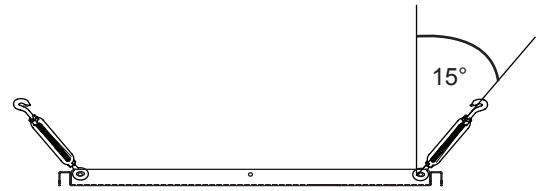
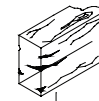


Figure 1

Wood Stud



Eye Lag Screw

Figure 2

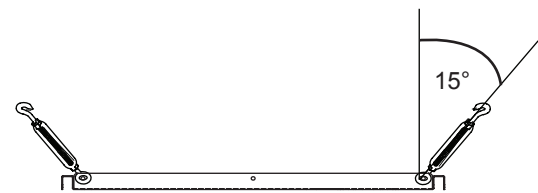


Figure 1

Solid Surface




Concrete Anchor

Figure 2



Ceiling Attachment (cont'd)

Truss Ceiling

- 1 Loop the wire around the truss (see Figure 1).
 -  Hang the wires from the trusses so that they will angle 15 degrees outward from the main ceiling plate (see Fig. 2).
- 2 Twist the wire at least five (5) times around itself to secure it.
- 3 Run the other end of the wire through the turnbuckle.
- 4 Twist the wire at least five (5) times around itself to secure it.
- 5 Repeat steps 1-4 for the remaining three mounting points.



The final loop on the wire has to be tightly bent and secured to prevent it from untwisting. Twist the turnbuckles to fine-tune adjust.



Recheck all hardware and installation for proper tightness and security.

Ceiling Truss

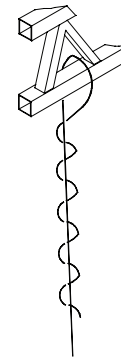


Figure 1

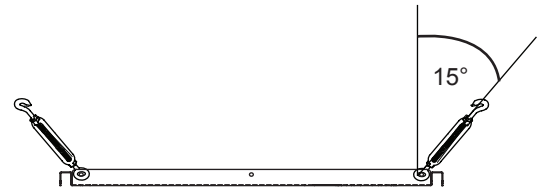



Figure 2

Proceed to the "Securing the 1 1/2" NPT Pipe to the PP-FCTA" section below.

Securing the 1 1/2" NPT Pipe to the PP-FCTA

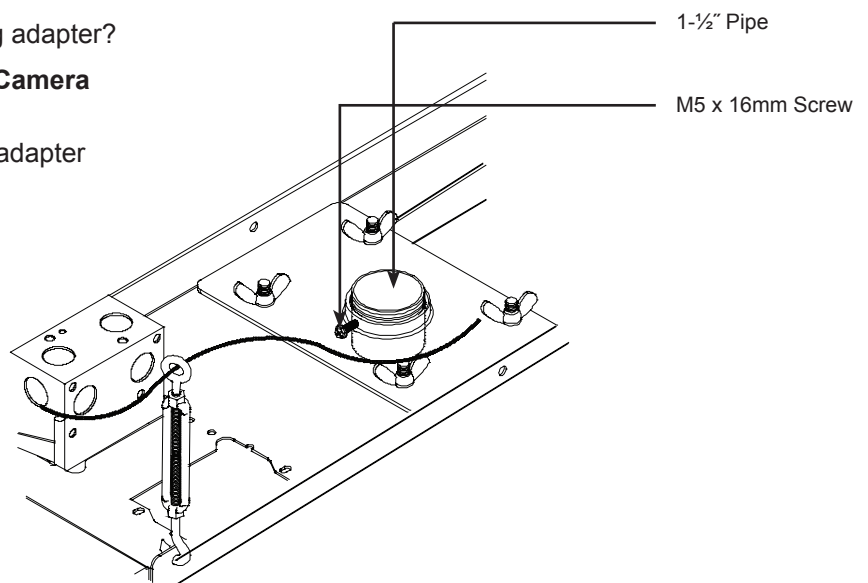
- 1 Secure the 1 1/2" NPT pipe to the mounting coupler and tighten the pipe.
- 2 Secure the pipe using one (1) M5 x 16mm combo screw to the plate.
 -  The M5 x 16mm combo screw must be used to stabilize the 1 1/2" NPT pipe.
- 3 Attach the escutcheon ring to the 1 1/2" NPT pipe beneath the ceiling tile.



Are you adding a camera to the ceiling adapter?


If **Yes**, proceed to the "Securing the Camera (optional)" section on page 11.

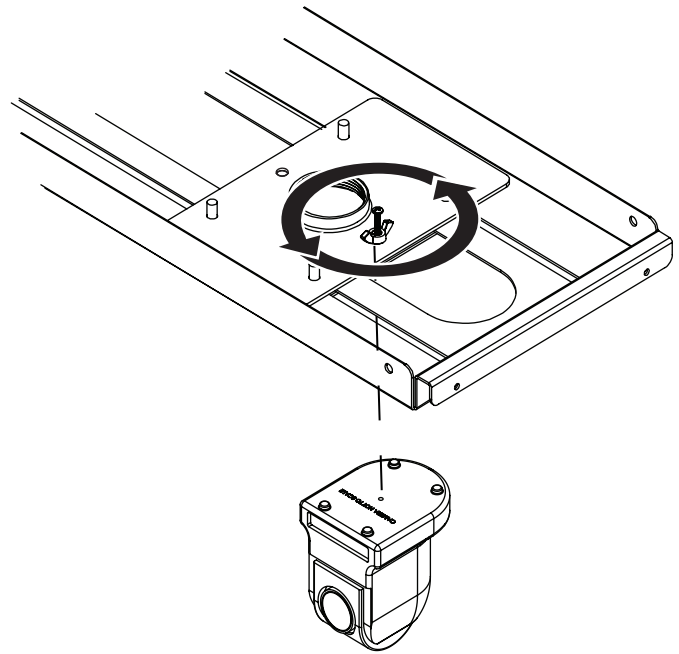
If **No**, you have completed the ceiling adapter installation.





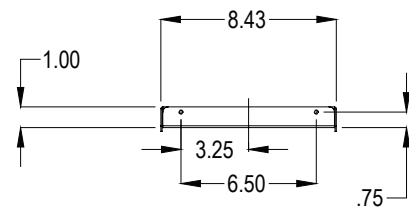
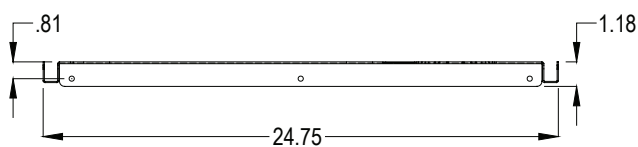
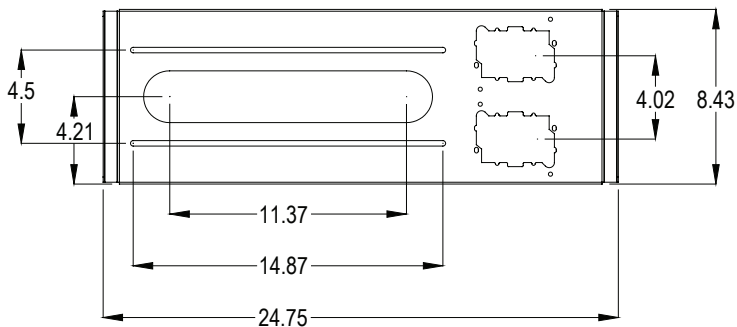
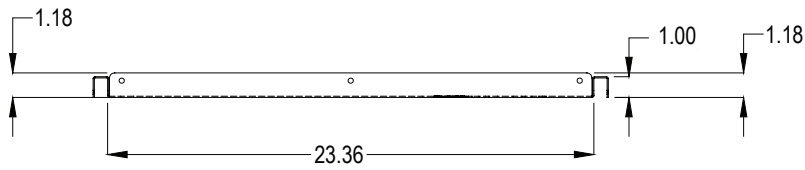
Securing the Camera (optional)

- 1 Attach the camera to the bottom of the 1/4"-20 pan Phillips head screw.
 The screw should be extending down through the ceiling tile next to the mounting hole.
- 2 Use the screw's wing nut to tighten the camera against the tile.



Technical Specifications

All measurements are in inches.





Warranty

PREMIER MOUNTS LIMITED LIFETIME WARRANTY

What and Who is Covered by this Limited Warranty and for How Long

Premier Mounts warrants this product to be free from defects in material and workmanship for the lifetime of the original owner of this product. The limited warranty is valid only for the original purchaser of the product.

What Premier Mounts Will Do

At the sole option of Premier Mounts, Premier Mounts will repair or replace any product or product part that is defective. If Premier Mounts chooses to replace a defective product or part, a replacement product or part will be shipped to you at no charge, but you must pay any labor costs.

What is Not Covered; Limitations

PREMIER MOUNTS DISCLAIMS ANY LIABILITY FOR DAMAGE TO MOUNTS, ADAPTERS, DISPLAYS, PROJECTORS, OTHER PROPERTY, OR PERSONAL INJURY RESULTING, IN WHOLE OR IN PART, FROM IMPROPER INSTALLATION, MODIFICATION, USE OR MISUSE OF ITS PRODUCTS.

PREMIER MOUNTS DISCLAIMS ALL OTHER WARRANTIES, EXPRESS OR IMPLIED, INCLUDING WARRANTIES OF MERCHANTABILITY AND FITNESS FOR A PARTICULAR PURPOSE. PREMIER MOUNTS IS NOT RESPONSIBLE FOR INCIDENTAL OR CONSEQUENTIAL DAMAGES, INCLUDING BUT NOT LIMITED TO, INABILITY TO USE ITS PRODUCTS OR LABOR COSTS FOR REMOVING AND REPLACING DEFECTIVE PRODUCTS OR PARTS. SOME STATES DO NOT ALLOW THE EXCLUSION OR LIMITATION OF INCIDENTAL OR CONSEQUENTIAL DAMAGES, SO THE ABOVE LIMITATION OR EXCLUSION MAY NOT APPLY TO YOU.

What Customers Must Do for Limited Warranty Service

If you discover a problem that you think may be covered by the warranty you MUST REPORT it in writing to the address below within thirty (30) days. Proof of purchase (an original sales receipt) from the original consumer purchaser must accompany all warranty claims. Warranty claims must also include a description of the problem, the purchaser's name, address, and telephone number. General inquiries can be addressed to Premier Mounts Customer Service at (800) 368-9700. Warranty claims will not be accepted over the phone or by fax.

Premier Mounts
Attn: Warranty Claim
3130 East Miraloma Ave.
Anaheim, CA 92806

How State Law Applies

THIS WARRANTY GIVES YOU SPECIFIC LEGAL RIGHTS, AND YOU MAY ALSO HAVE OTHER RIGHTS WHICH VARY FROM STATE TO STATE.



205 Westwood Ave, Long Branch, NJ 07740
Phone: 866-94 BOARDS (26273) / (732)-222-1511
Fax: (732)-222-7088 | E-mail: sales@touchboards.com

Disclaimer

Premier Mounts intends to make this manual accurate and complete. However, Premier Mounts makes no claim that the information contained herein covers all details, conditions or variations, nor does it provide for every possible contingency in connection with the installation or use of this product. The information contained in this document is subject to change without notice or obligation of any kind. Premier Mounts makes no representation of warranty, expressed or implied, regarding the information contained herein. Premier Mounts assumes no responsibility for accuracy, completeness or sufficiency of the information contained in this document.