

PRG Precision Gear Projector Mount For Multimedia Projectors up to 50 lb (22 kg)

Peerless' PRG Precision Gear Projector Mount is simplifying the way image alignment is done. The patent-pending precision gear design allows exact tilt and roll image positioning by either simply turning two adjustment knobs with a Phillips screw driver, or use the tool-less option by extending the knobs to adjust by hand. Just set the precision gear to the desired position to secure it in place – it will hold its position even during projector maintenance. With Peerless' PRG Precision Gear Projector Mount, just set it and forget it. No more adjustment screws. No more micro adjustments. No more hassles.



Max load: 50 lb (22 kg)



FEATURES

- Patent-pending precision gears provides exact projector image alignment
- Two adjustment knobs control projector image alignment
- Pre-assembled design reduces installation time
- Horizontal wrench access slots make flush mounting installations fast and easy
- Cable management allows cables to be routed through projector mount out of sight
- "U" shaped pitch bracket allows for hassle free cable routing
- Quick-release mechanism to easily service projector
- Spider® Universal Adapter Plate extends up to 17.63" (448 mm) to fit most projector models
- Pre-installed security screws provide optional tilt and roll lock to prevent tampering with adjustment knobs
- Specifications:

Tilt: ±20°
 Roll: ±10°
 Swivel: 360° when mounted on extension column
 ±15° when flush mounted on ceilings

PIN-POINT IMAGE ALIGNMENT

Achieve pin-point image alignment by simply turning the adjustment knobs by hand or with a Phillips screwdriver

SIMPLE FLUSH INSTALLATION

Enables fast and easy flush mounting installation with horizontal wrench access slots



UNIVERSAL COMPATIBILITY

Spider® Universal Adapter Plate extends up to 17.63" (448 mm) to fit most projector models

PATENT-PENDING PRECISION GEARS

Reduces installation time and delivers pin-point image alignment



Precision Gear Technology



"U" Pitch Bracket for Easy Cable Routing



Exclusive Horizontal Wrench Access Slot



Model Numbers

WARRANTY: Limited 5-year

PRG-UNV(-S)(-W):	PRG Precision Projector Mount with Spider® Universal Adapter Plate
PRG-1(-S)(-W):	PRG Precision Projector Mount (PAP model adapter plate required)

Product Specifications

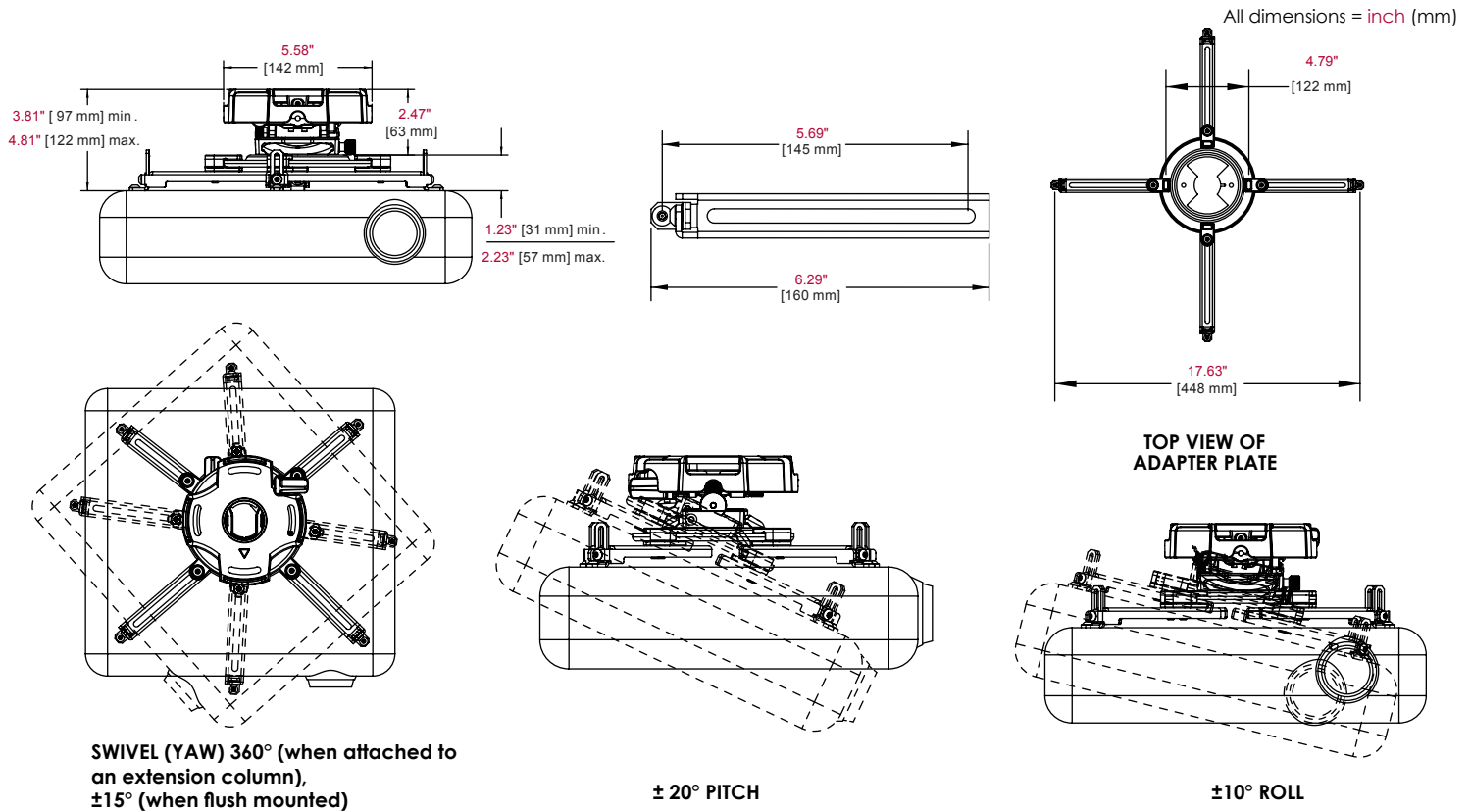
	DIMENSIONS (W x H x D)	PRODUCT WEIGHT	LOAD CAPACITY	FINISH	AVAILABLE COLORS
PRG-UNV(-S)(-W)	8.5"-17.63" x 3.81"-4.81" x 8.5"-17.63" (216-448 x 97-122 x 216-448 mm)	3.08 lb (1.4 kg)	50 lb (22 kg)	Scratch resistant fused epoxy	PRG-UNV: Black PRG-UNV-S: Silver PRG-UNV-W: White PRG-1: Black PRG-1-S: Silver PRG-1-W: White
PRG-1(-S)(-W)	5.58" x 2.47" x 5.58" (142 x 63 x 142 mm)	1.56 lb (.71 kg)			

Package Specifications

	PACKAGE SIZE (W x H x D)	PACKAGE SHIP WEIGHT	PACKAGE UPC CODE	PACKAGE CONTENTS	UNITS IN PACKAGE
PRG-UNV(-S)(-W)	6.19" x 2.81" x 11.63" (157 x 71 x 295 mm)	3.78 lb (1.7 kg)	PRG-UNV: 735029249887 PRG-UNV-S: 735029249894 PRG-UNV-W: 735029249900	PRG Precision Gear Projector Mount, Spider® Universal Adapter Plate, mounting and projector attachment hardware, assembly instructions	1
PRG-1(-S)(-W)	6.5" x 3" x 7.125" (165 x 76 x 181 mm)	1.82 lb (.83 kg)	PRG-1: 735029249856 PRG-1-S: 735029249863 PRG-1-W: 735029249870	PRG Precision Gear Projector Mount, mounting attachment hardware, assembly instructions	

Accessories

CMJ Models, ACC570, ACC571, ACC912:	Ceiling Kits	ACC830:	Side-to-Side Adjuster
ACC840/845:	Anit-Vibration Mount	PWA14 & EXA/B:	Wall Mount Arm
ADJ, EXT and EXA/B/C:	Extension Columns	ACC050:	Stability Kit
ACC800/850 & ACC852/856:	Cable Management Adapter		



ARCHITECTS SPECIFICATIONS

The PRG-Precision Gear Projector Mount shall be a Peerless model _____ and shall be located where indicated on the plans. It shall feature 20° pitch (tilt), 10° roll, 360° swivel (yaw) (when attached to an extension column), and 15° swivel (when flush mounted). It shall have a 50 lb load capacity. It shall be constructed of aluminum alloy finished in black, white, or silver. Assembly and installation shall be done according to instructions provided by the manufacturer.