



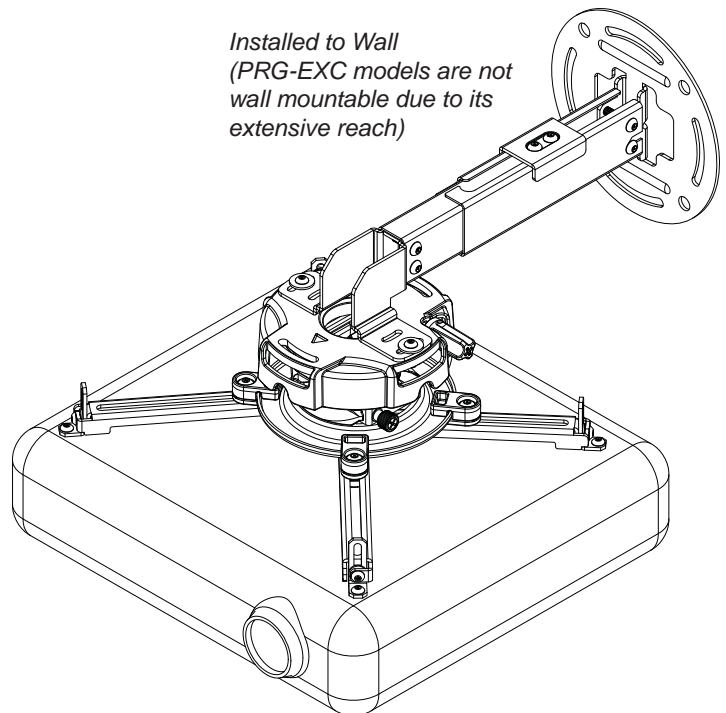
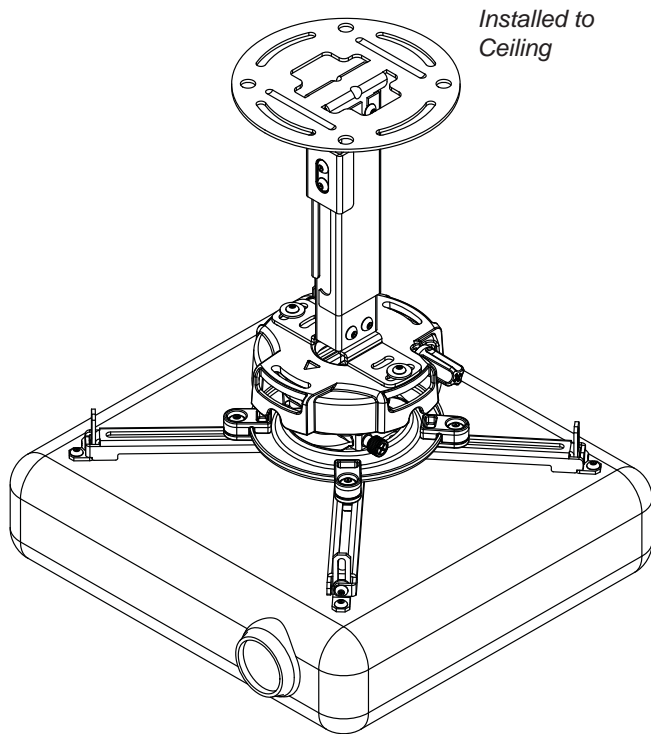
205 Westwood Ave, Long Branch, NJ 07740
Phone: 866-94 BOARDS (26273) / (732)-222-1511
Fax: (732)-222-7088 | E-mail: sales@touchboards.com

Installation and Assembly: Projector Ceiling/Wall Mount

**Models: PRG-EXA, PRG-EXA-W
PRG-EXB, PRG-EXB-W
PRG-EXC, PRG-EXC-W**



Max UL Load Capacity: 50 lb (22.68 kg)



Features:

- Continuous channel design for uninterrupted drop length or wall extension adjustments
- Safety catch designed into extension to ensure user and equipment safety
- Internal cable management within channels for clean, clutter-free appearance
- Includes PRG Series projector mount for precise image alignment

NOTE: Read entire instruction sheet before you start installation and assembly.

⚠ WARNING

- Do not begin to install your Peerless product until you have read and understood the instructions and warnings contained in this Installation Sheet. If you have any questions regarding any of the instructions or warnings, please call Peerless customer care at 1-800-865-2112.
- This product should only be installed by someone of good mechanical aptitude, has experience with basic building construction, and fully understands these instructions.
- Make sure that the supporting surface will safely support the combined load of the equipment and all attached hardware and components.
- Never exceed the Maximum UL Load Capacity. See page 1.
- If mounting to wood joist ceilings, make sure that mounting screws are anchored into the center of the joist. Use of an "edge to edge" stud finder is highly recommended.
- Always use an assistant or mechanical lifting equipment to safely lift and position equipment.
- Tighten screws firmly, but do not overtighten. Overtightening can damage the items, greatly reducing their holding power.
- This product is intended for indoor use only. Use of this product outdoors could lead to product failure and personal injury.
- This product was designed and intended to be mounted to the following supporting surfaces checked below with the hardware included in this product as specified in the installation sheet. To mount this product to an alternative supporting surface, contact Peerless customer care at 1-800-865-2112.
- This product was designed to be installed on the following ceiling construction only;

CEILING CONSTRUCTION

ADDITIONAL HARDWARE REQUIRED

<input checked="" type="checkbox"/> Wood Stud	None
<input checked="" type="checkbox"/> Wood Joist	None
<input checked="" type="checkbox"/> Solid Concrete	None
<input type="checkbox"/> Brick	Contact Customer Service (Not Evaluated by UL)
<input type="checkbox"/> Other or unsure?	Contact Customer Service (Not Evaluated by UL)

Tools Needed for Assembly

- stud finder ("edge to edge" stud finder is recommended)
- drill
- phillips screw driver
- 5/16" drill bit for concrete and cinder block wall
- open end wrench

- 5/32" drill bit for wood stud or joist
- level
- 8 mm open end wrench

Table of Contents

Parts List.....	3-4
Installing Outer Channel to Ceiling Plate	5
Installation to Wood Joist Ceiling or Wood Stud Wall.....	6
Installation to Solid Concrete Ceiling or Concrete/Cinder Block Walls.....	7
Installing Inner Channel and Routing Cables	8
Installing Projector Mount.....	9-10
Attaching Adapter Plate to Projector.....	10-11
Projector Alignment	12
Adjusting Mount Extension.....	13
Installing Cable Covers.....	14

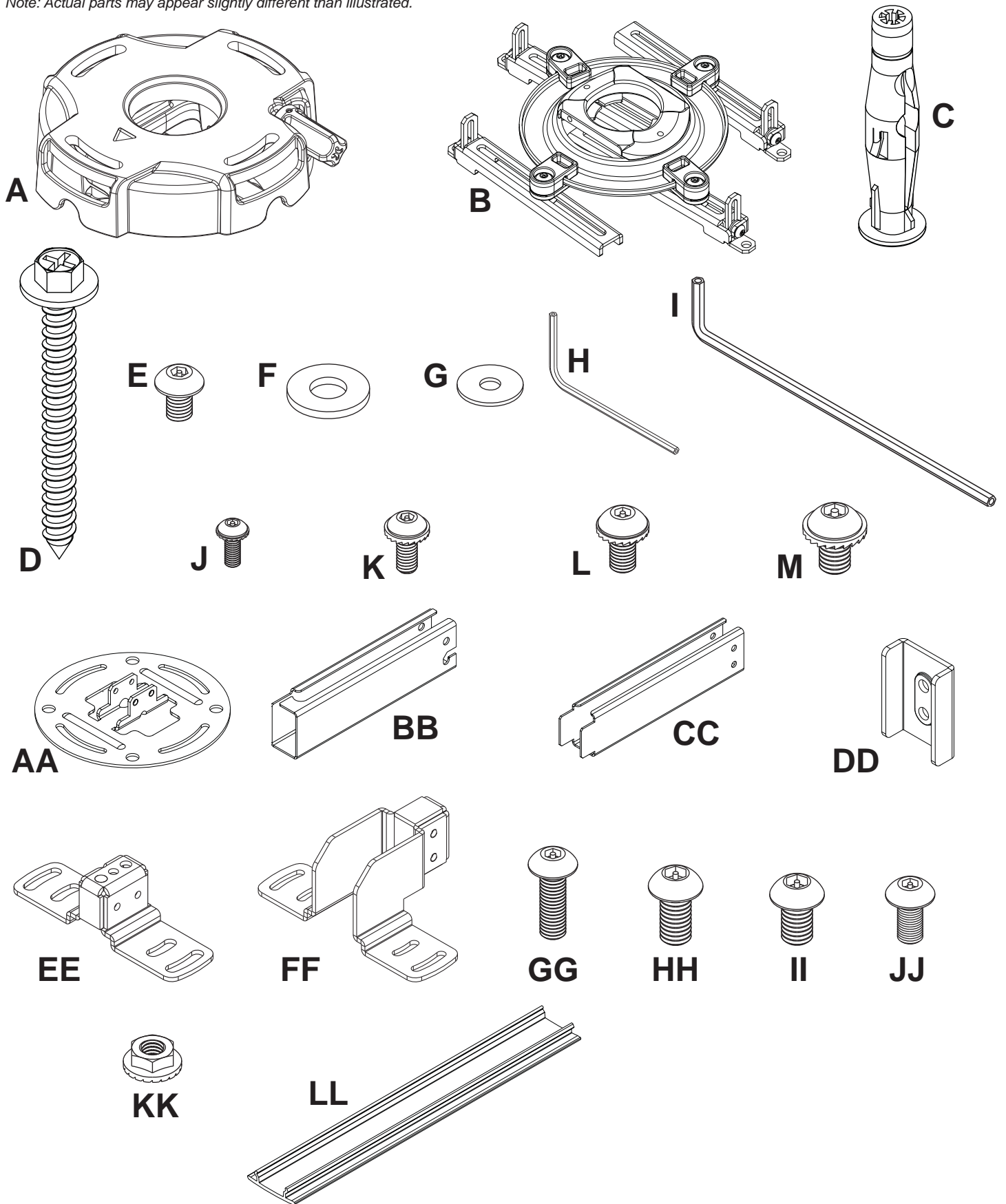
Parts List

Description	Qty.	PRG-EXA	PRG-EXA-W	PRG-EXC	PRG-EXC-W
		PRG-EXB	PRG-EXB-W		
		Part #	Part #	Part #	Part #
A projector mount assembly	1	054-1171	054-2171	054-1171	054-2171
B adapter plate	1	055-1938	055-2938	055-1938	055-2938
C concrete anchor	2	590-0320	590-0320	590-0320	590-0320
D #14 x 2.5" phillips hex head wood screw	2	5S1-015-C03	5S1-015-C04	5S1-015-C03	5S1-015-C04
E #10-32 x 1/4" socket pin screw	1	520-1196	520-2196	520-1196	520-2196
F 1/4" flat washer	6	540-1078	540-2078	540-1078	540-2078
G #6 flat washer x .5 OD	4	540-1025	540-2025	540-1025	540-2025
H 2 mm security allen wrench	1	560-1097	560-1097	560-1097	560-1097
I 4 mm security allen wrench	1	560-9646	560-9646	560-9646	560-9646
J M3 x 8 mm serrated washer head socket pin screw	4	510-1004	510-2004	510-1004	510-2004
K M4 x 10 mm serrated washer head socket pin screw	4	510-1060	510-2060	510-1060	510-2060
L M5 x 10 mm serrated washer head socket pin screw	4	510-1126	510-2063	510-1126	510-2063
M M6 x 10 mm serrated washer head socket pin screw	4	510-1066	510-2066	510-1066	510-2066
AA ceiling plate	1	055-1773	055-2773	055-1773	055-2773
BB outer channel	1	SEE CHART	SEE CHART	SEE CHART	SEE CHART
CC inner channel	1	SEE CHART	SEE CHART	SEE CHART	SEE CHART
DD clamp plate	1	055-1771	055-2771	055-1771	055-2771
EE vertical mounting plate	1	055-1876	055-2876	055-1876	055-2876
FF horizontal mounting plate	1	055-1787	055-2787	N/A	N/A
GG M5 x 16 mm socket pin screw	2	520-1161	520-2161	520-1161	520-2161
HH M6 x 12 mm socket pin screw	2	520-1050	520-2050	520-1050	520-2050
II M6 x 10 mm socket pin screw	4	520-1066	520-2066	520-1066	520-2066
JJ M5 x 10 mm socket pin screw	4	520-1063	520-2063	520-1063	520-2063
KK serrated locknut	2	530-1027	530-2042	530-1027	530-2042
LL cable cover	2	SEE CHART	SEE CHART	SEE CHART	SEE CHART

OUTER CHANNEL, INNER CHANNEL AND CABLE COVER PART NUMBER CHART

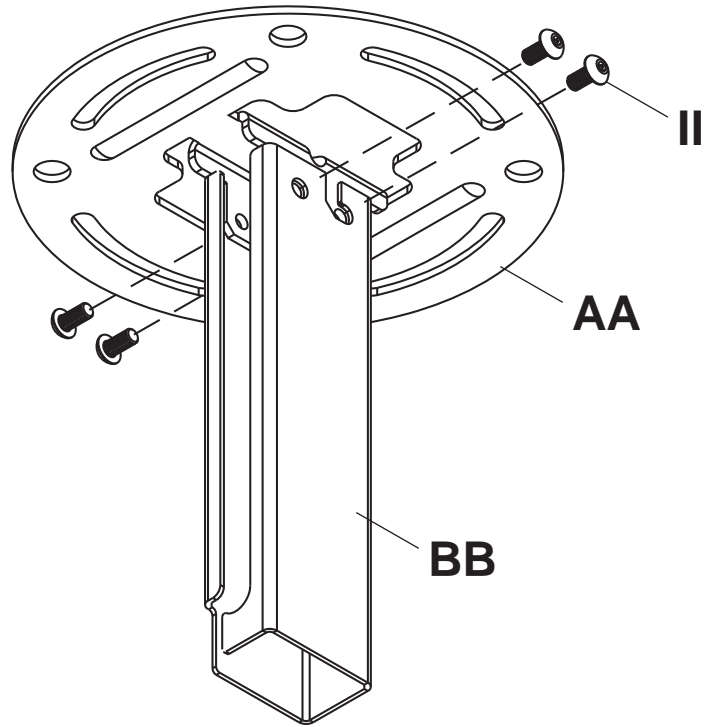
Model#	extendable length	outer channel (BB) part#	inner channel (CC) part#	cable cover (LL) part#
PRG-EXA	8.69" - 12.79"	055-1779	055-1778	055-1809-2
PRG-EXA-W	8.69" - 12.79"	055-2779	055-2778	055-2809-2
PRG-EXB	12.69" - 20.69"	055-1776	055-1775	055-1809-1
PRG-EXB-W	12.69" - 20.69"	055-2776	055-2775	055-2809-1
PRG-EXC	19.14" - 32.9"	055-1770	055-1769	055-1809
PRG-EXC-W	19.14" - 32.9"	055-2770	055-2769	055-2809

Note: Actual parts may appear slightly different than illustrated.



Install Outer Channel to Ceiling Plate

- 1 Attach outer channel (**BB**) to ceiling plate (**AA**) using four M6 x 10 mm socket pin screws (**II**) as shown.
Tighten screws with 4 mm security wrench (**I**).



Installation to Wood Joist Ceilings or Wood Stud Walls

⚠ WARNING

- Installer must verify that the supporting surface will safely support the combined load of the equipment and all attached hardware and components.
- Tighten wood screws so that ceiling/wall plate is firmly attached, but do not overtighten. Overtightening can damage the screws, greatly reducing their holding power.
- Never tighten in excess of 80 in. • lb (9 N.M.).
- Make sure that mounting screws are anchored into the center of the stud or joist. The use of an "edge to edge" stud finder is highly recommended.
- Hardware provided is for attachment of mount through standard thickness drywall or plaster into wood studs or joists. Installers are responsible to provide hardware for other types of mounting situations (Not Evaluated by UL).

2 **NOTE: Wall installation with models PRG-EXC, PRG-EXC-S and PRG-EXC-W is not available.**

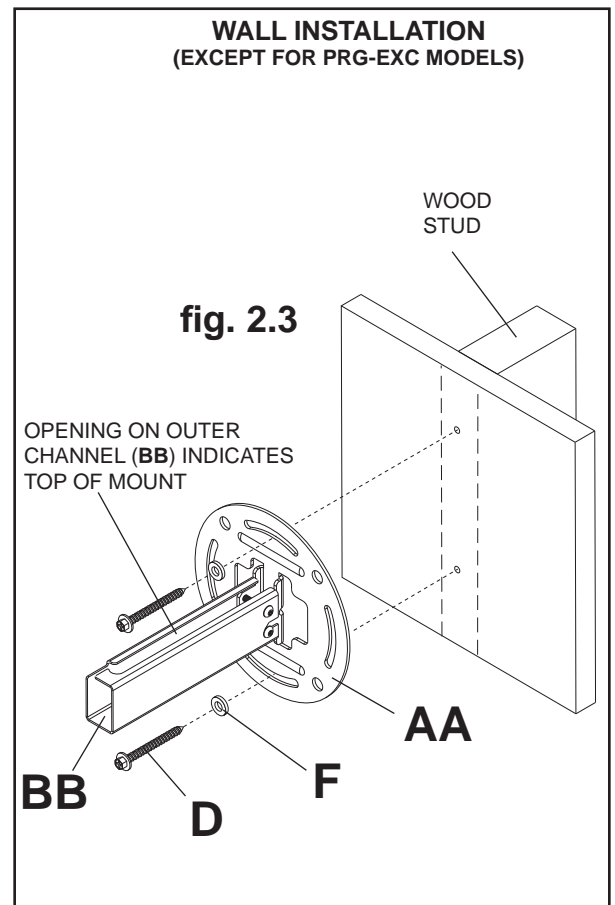
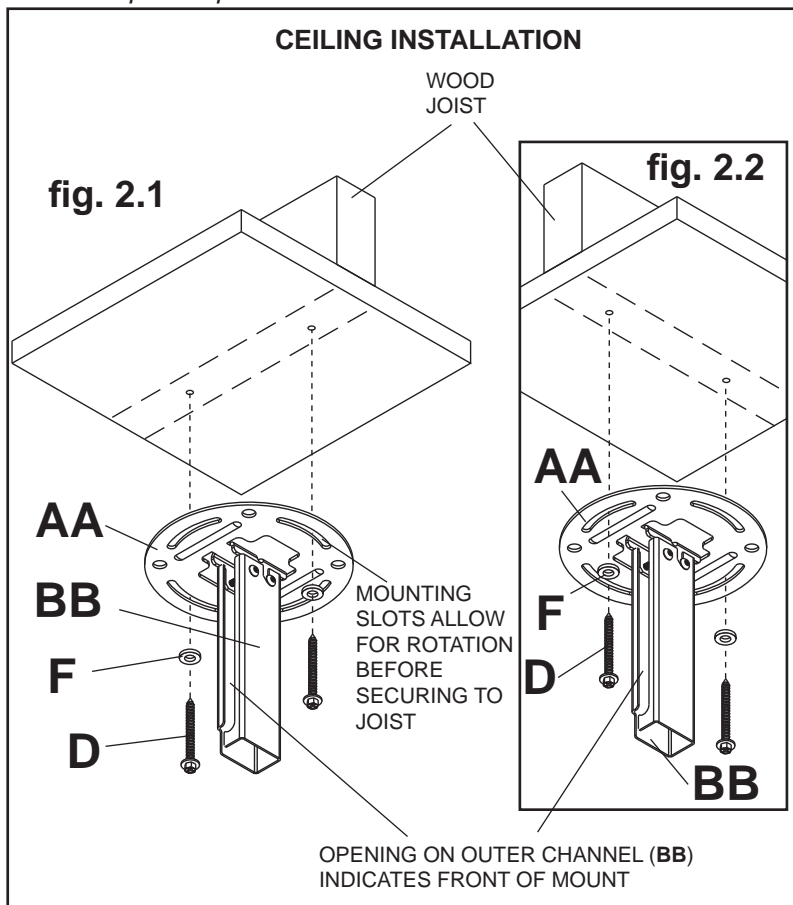
Use a stud finder to locate the edges of the stud or joist. Use of an edge-to-edge stud finder is highly recommended. Based on its edges, draw a vertical line down the stud's or joist's center. Place ceiling/wall plate (AA) on wall or ceiling as a template, making sure that the two mounting slots are on the centerline.

For ceiling installation: Opening on outer channel (BB) indicates front of mount. Use the correct mounting slots on the ceiling/wall plate depending on ceiling joist orientation as shown in figure 2.1 and figure 2.2. Mounting slots on ceiling plate allow for 45° (±22.5) of rotation before securing to joist.

For wall installation: Opening on outer channel (BB) indicates top of mount.

Mark the center of the two mounting holes. Drill two 5/32" (4 mm) dia. holes 2-1/2" (65 mm) deep. Secure ceiling/wall plate (AA) to wood stud or joist using two #14 x 2-1/2" wood screws (D) and two 1/4" washers (F) as shown in figure 2.3.

Skip to step 3



Installation to Concrete Ceilings or Concrete/Cinder Block Walls

⚠ WARNING

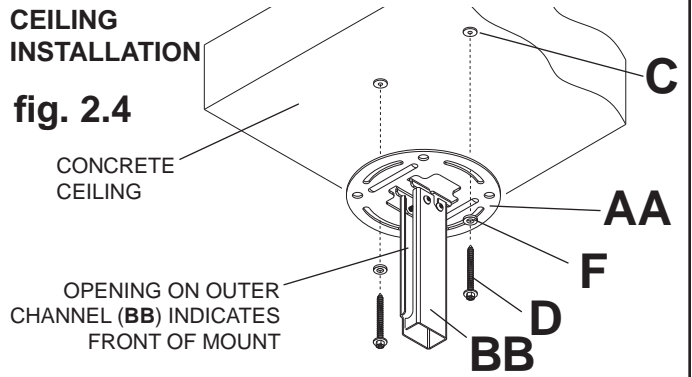
- When installing Peerless wall mounts on cinder block, verify that you have a minimum of 1-3/8" of actual concrete thickness in the hole to be used for the concrete anchors. Do not drill into mortar joints! Be sure to mount in a solid part of the block, generally 1" minimum from the side of the block. Cinder block must meet ASTM C-90 specifications. It is suggested that a standard electric drill on slow setting is used to drill the hole instead of a hammer drill to avoid breaking out the back of the hole when entering a void or cavity.
- Concrete must be 2000 psi density minimum. Lighter density concrete may not hold concrete anchor.
- Installer must verify that the supporting surface will safely support the combined load of the equipment and all attached hardware and components.

2 NOTE: Wall installation with models PRG-EXC, PRG-EXC-S and PRG-EXC-W is not available.

Place ceiling/wall plate (AA) on ceiling or wall as a template. **Note:** Place ceiling/wall plate according to position of opening in outer channel (BB) as shown in figure 2.4. or figure 2.5. Drill two 5/16" (8mm) dia. holes to a minimum depth of 2-1/2" (64 mm). Attach ceiling/wall plate (AA) using two concrete anchors (C), two #14 x 2-1/2" wood screws (D) and two 1/4" washers (F) as shown in figure 2.6. Tighten wood screws (D) until ceiling/wall plate (AA) is firmly attached.

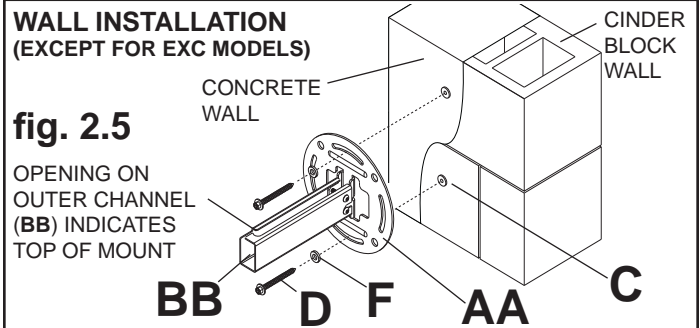
CEILING INSTALLATION

fig. 2.4



WALL INSTALLATION (EXCEPT FOR EXC MODELS)

fig. 2.5



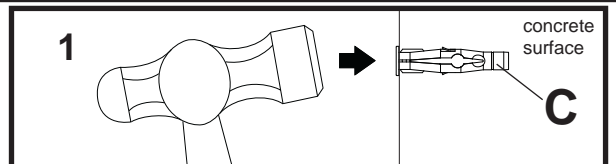
⚠ WARNING

- Tighten wood screws firmly, but do not overtighten. Overtightening can damage the screws, greatly reducing their holding power.
- Never tighten in excess of 80 in • lb (9 N.M.).

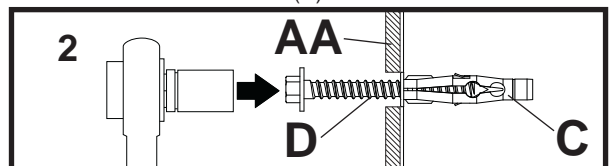
⚠ WARNING

- Always attach concrete anchors directly to load-bearing concrete.
- Never attach concrete anchors to concrete covered with plaster, drywall, or other finishing material. If mounting to concrete surfaces covered with a finishing surface is unavoidable (not evaluated by UL), the finishing surface must be counterbored as shown below. Be sure concrete anchors do not pull away from concrete when tightening screws. If plaster/drywall is thicker than 5/8", custom fasteners must be supplied by installer (not evaluated by UL).

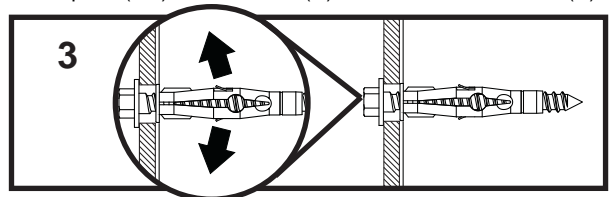
fig. 2.6



Drill holes and insert anchors (C).

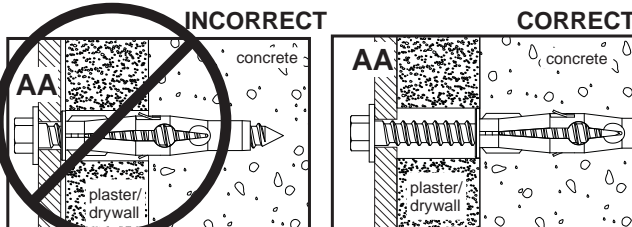


Place plate (AA) over anchors (C) and secure with screws (D).



Tighten all fasteners.

CUTAWAY VIEW



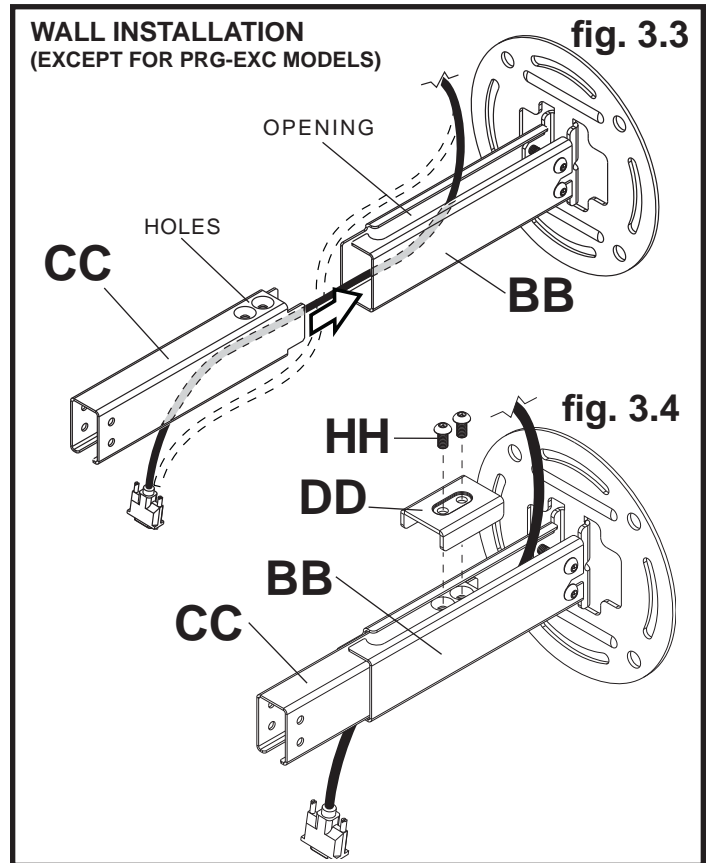
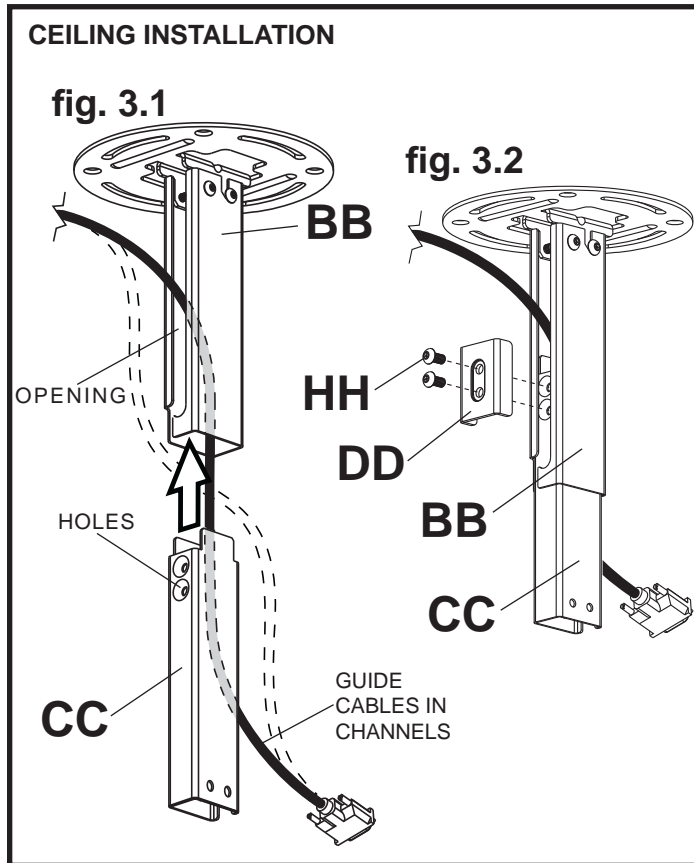
Installing Inner Channel and Routing Cables

3 **Note:** Be certain holes on inner channel (**CC**) face in the same direction of opening on outer channel (**BB**).

Note: Cables must be removed from projector before routing through channels. If cables are not removable from projector, routing through channels is not an option.

Guide projector cables into openings in channels then insert inner channel (**CC**) into outer channel (**BB**) as shown in figure 3.1 or 3.3.

Position inner channel (**CC**) to the desired extended position and secure using two M6 x 12 mm socket pin screws (**HH**) through clamp plate (**DD**) and into inner channel (**CC**) as shown in figure 3.2 or 3.4.



Touchboards

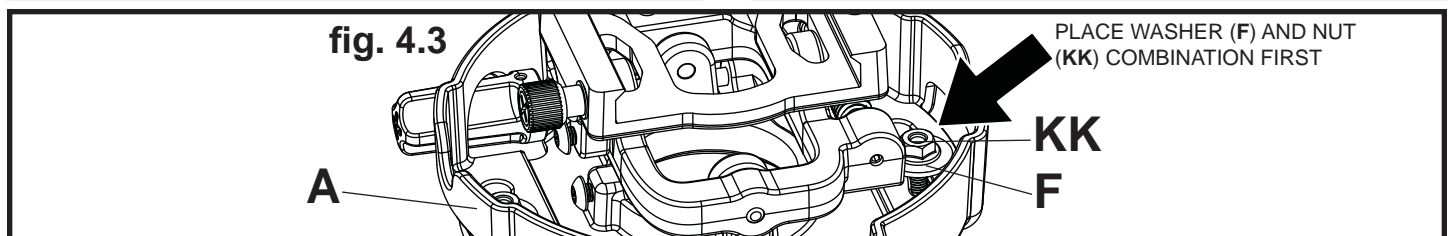
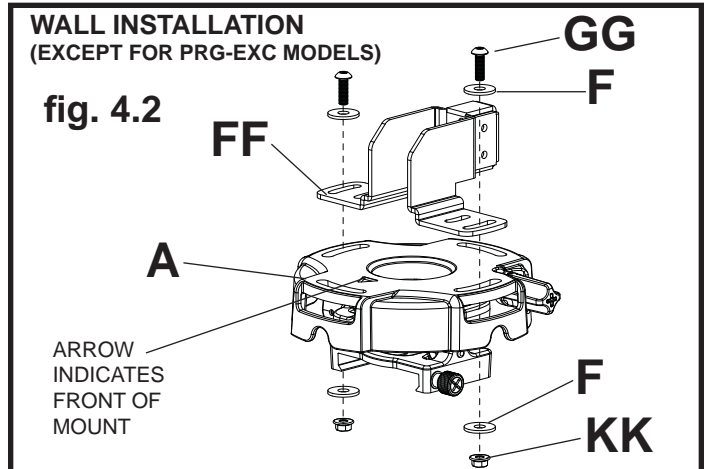
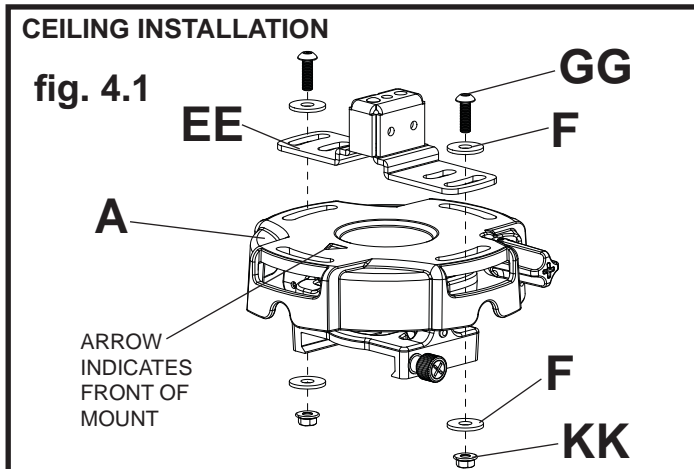
205 Westwood Ave, Long Branch, NJ 07740
Phone: 866-94 BOARDS (26273) / (732)-222-1511
Fax: (732)-222-7088 | E-mail: sales@touchboards.com

Installing Projector Mount

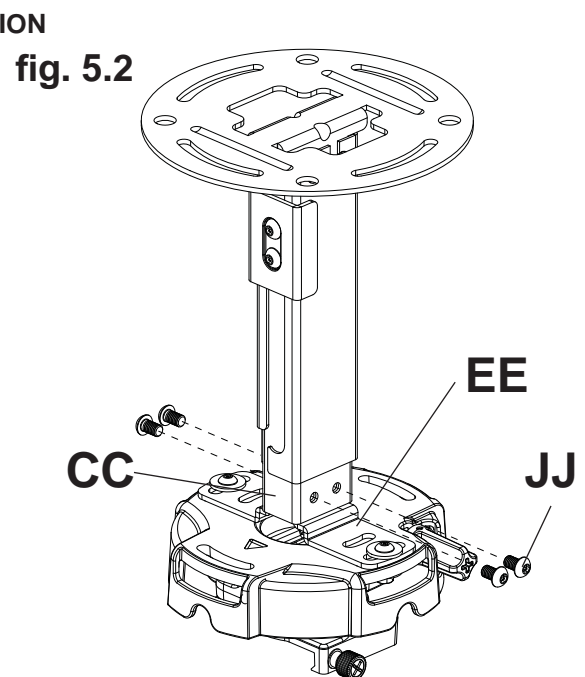
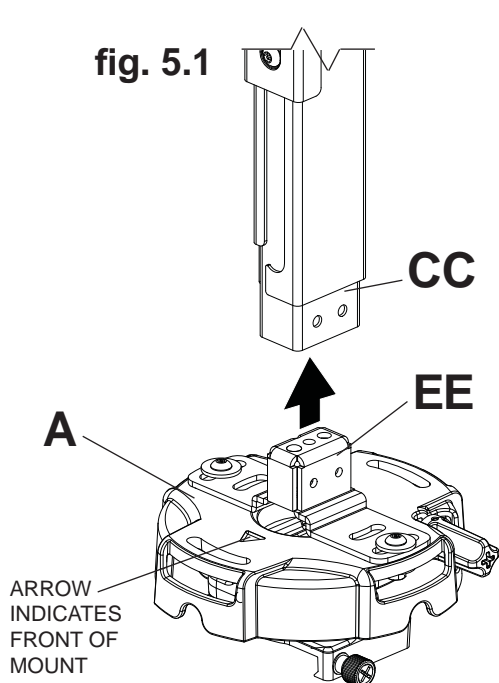
4 **Installing PRG projector mount with ceiling installation:** Attach vertical mounting plate (EE) to PRG projector mount (A) using two M5 x 16 mm socket pin screws (GG), four 1/4" washers (F) and two locknuts (KK) as shown in figure 4.1.

Installing PRG projector mount with wall installation: Position PRG projector mount (A) to the orientation shown in figure 4.2 and attach to horizontal mounting plate (FF) using two M5 x 16 mm socket pin screws (GG), four 1/4" washers (F) and two locknuts (KK).

NOTE: Placing washer (F) and nut (KK) combination on inside of PRG projector mount first while attaching mounting bracket (EE or FF) can make installation easier as shown in figure 4.3.

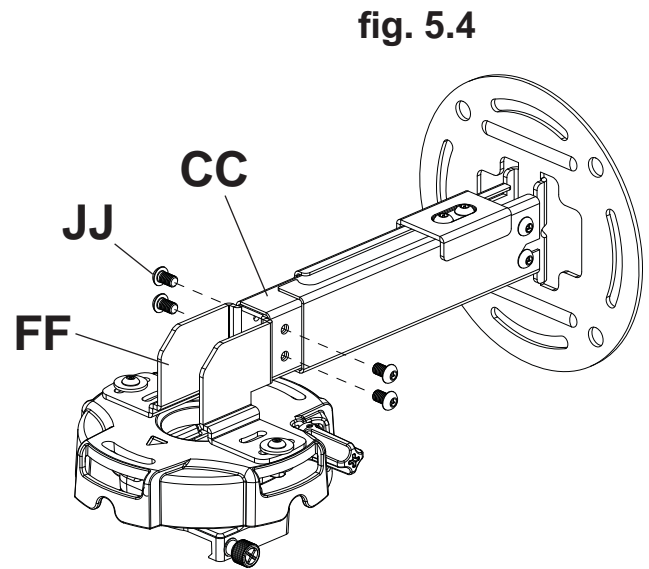
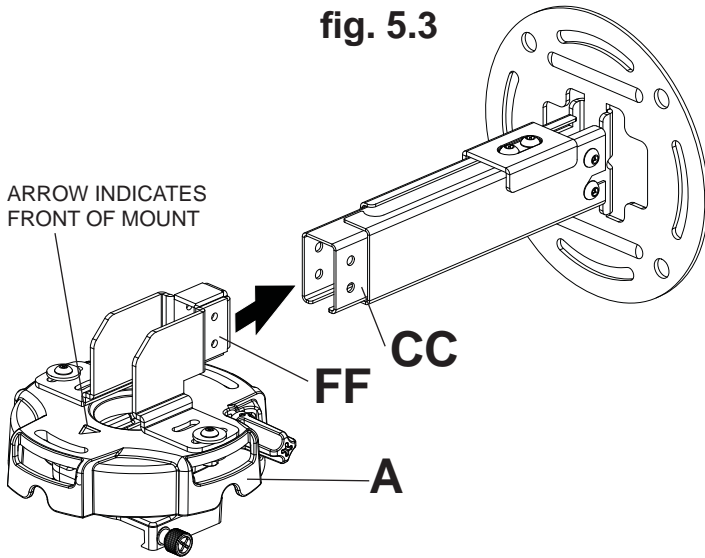


5 **Ceiling installation:** Insert vertical mounting plate (EE) into inner channel (CC) with PRG projector mount (A) in the correct orientation shown in figure 5.1. Secure vertical mounting plate to inner channel using four M5 x 10 mm socket pin screws (JJ) as shown in figure 5.2.



- 5 **Wall installation:** Insert horizontal mounting plate (FF) into inner channel (CC) as shown in figure 5.3. Secure horizontal mounting plate to inner channel using four M5 x 10 mm socket pin screws (JJ) as shown in figure 5.4.

**WALL INSTALLATION
(EXCEPT FOR PRG-EXC MODELS)**



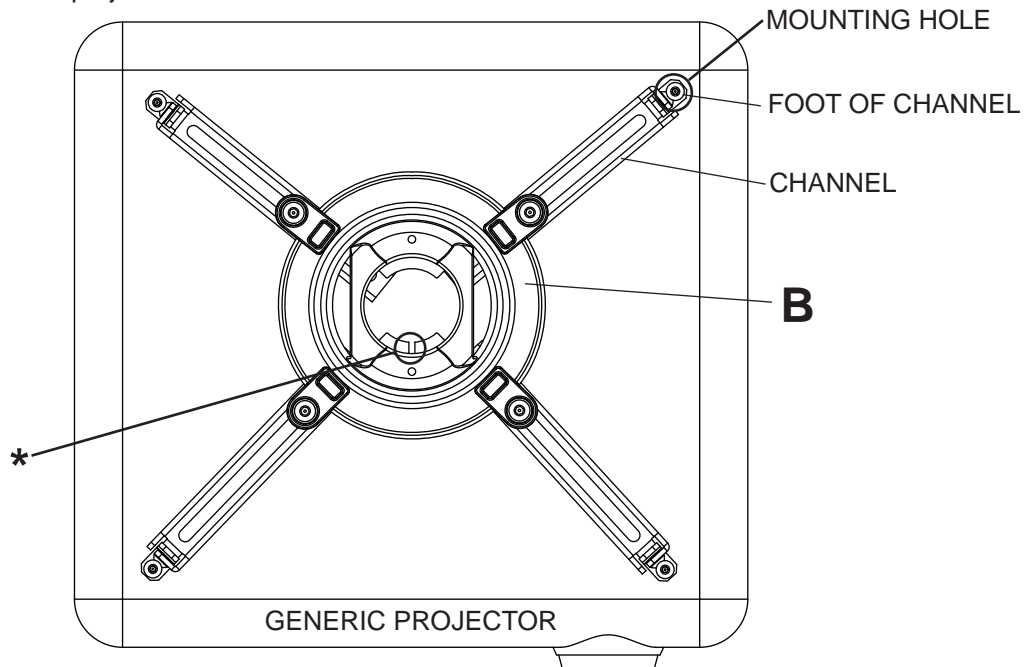
Attaching Adapter Plate to Projector

- 6 **NOTE:** The projector you are installing may differ in appearance from the sample illustrated below.
- Place projector upside down. Locate adapter plate (B) with notch facing forward as close to projector center of gravity as possible without covering any mounting holes. Loosen channels with 4 mm security allen wrench (I), and **if there are only three mounting holes remove fourth channel**. Using one channel for each mounting hole, position feet of channels over mounting holes as shown below. **Important:** If projector does not have at least three mounting holes, do not use this adapter plate.

NOTE: Some projectors have feet which can be removed and the corresponding threaded insert can be used for a mounting hole.

NOTE: Once channels are in position retighten fasteners.

*Notch indicates front of projector.



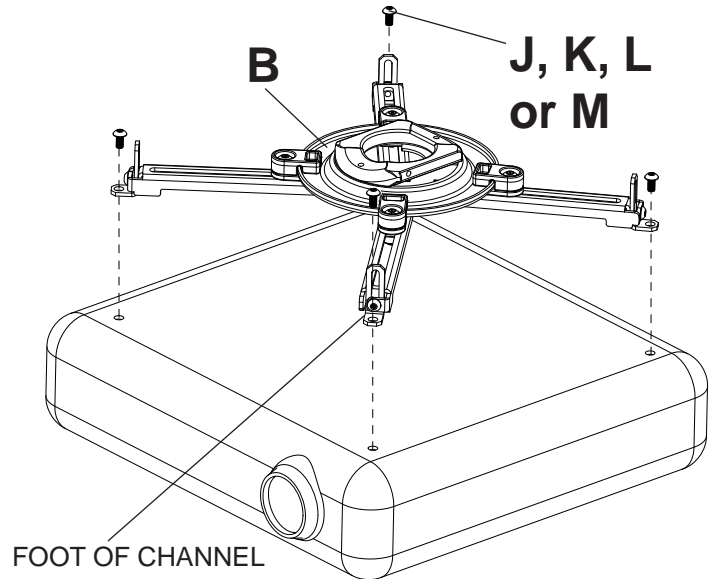
7 Attach adapter plate (**B**) to projector using one screw (**J, K, L or M**) for each channel as shown below. Tighten all screws, while keeping the center of gravity. Be sure that adapter plate (**B**) is straight. Adjust the feet of the channels to keep the adapter plate level. Tighten all screws with 4 mm security allen wrench (**I**) while keeping the center of gravity. If M3 x 8 mm screws (**J**) are used, tighten using 2 mm security allen wrench (**H**).

NOTE: Projectors will require different size screws for mounting. Use a combination of screws (**J, K, L or M**) and foot adjustment that will result in channels of adapter plate (**B**) fitting tightly against projector. **Important:** In order to properly engage the threads in the mounting holes, the screw must be turned at least 3 full turns.

NOTE: If using screw (**J**), place washer (**G**) between screw (**J**) and foot of channel.

CAUTION

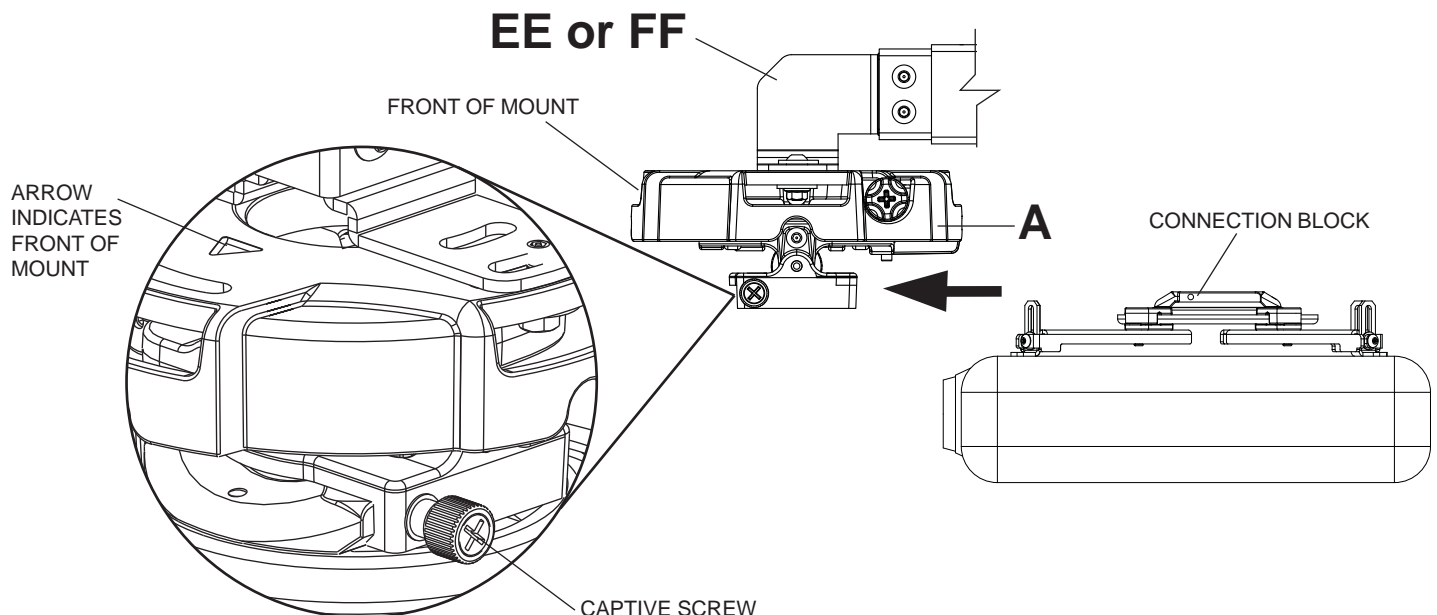
- It is the responsibility of the installer to ensure that the projector is properly ventilated. Feet of channels are used to raise the mount off the projector surface.



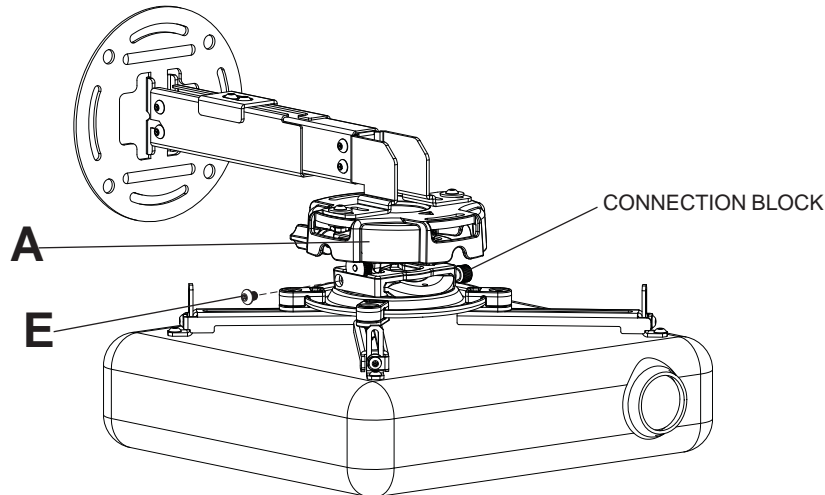
WARNING

- Always use an assistant or mechanical lifting equipment to safely lift and position the projector.

8 Slide connection block with projector into projector mount assembly (**A**) as shown. Push in and tighten captive screw to secure projector to projector mount assembly (**A**).



- 9 IMPORTANT:** For security installations, insert one #10-32 x 1/4" socket pin screw (E) through projector mount assembly (A) and into connection block as shown. Tighten screw with 4mm security allen wrench (I).

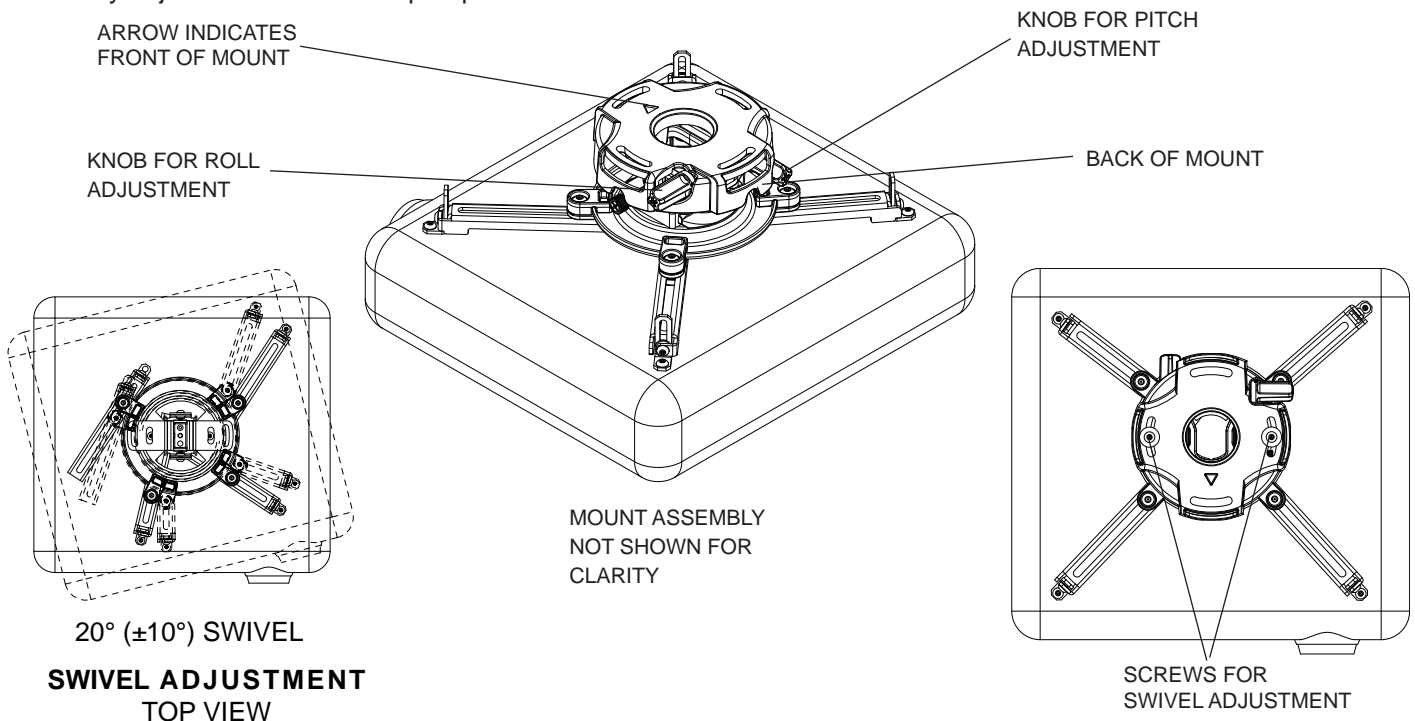


Projector Alignment

- 10** **To adjust yaw (swivel):** Loosen two screws indicated below half a turn using allen wrench (I). Align projector to the desired swivel position and fully tighten screws indicated.

To adjust pitch (forward and backward tilt): Turn knob on back of mount as shown below. Pull knob out and turn by hand for easy adjustment or insert #2 phillips screwdriver in end of knob and turn.

To adjust roll (side to side tilt): Turn knob on side of mount as shown below. Pull knob out and turn by hand for easy adjustment or insert #2 phillips screwdriver in end of knob and turn.



⚠ WARNING

- Do not loosen adjustment screws to the point they become disengaged from the mount. Weight of the projector should be supported in case of accidental disengagement.

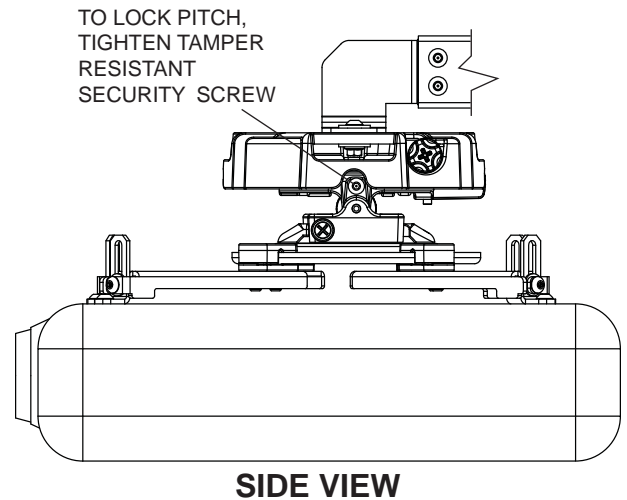
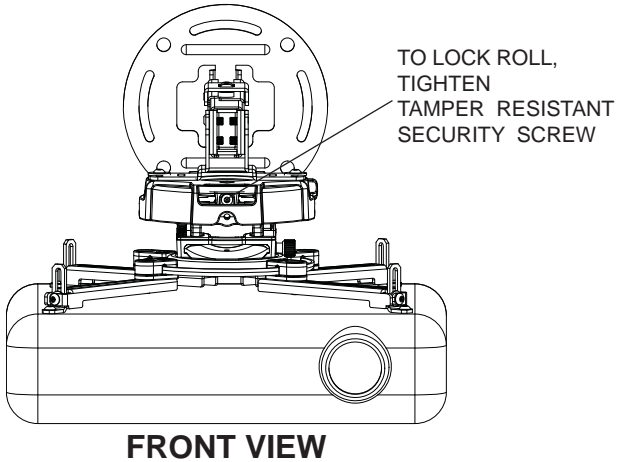
NOTE: For tamper proofing of projector alignment, see step 10-1 on page 13.

10-1 To prevent tampering with the pitch and roll adjustments: Tighten the two tamper resistant security screws on the projector mount assembly using 4 mm security allen wrench (I) to lock the pitch and roll adjustments as shown below.

Note: Tighten screws firmly, but do not overtighten. Overtightening can damage the mount.

CAUTION

- Do not adjust pitch or roll while tamper resistant security screws are fully engaged.
- Loosen the two tamper resistant security screws one complete turn before adjusting the projector mount assembly or damage may occur.

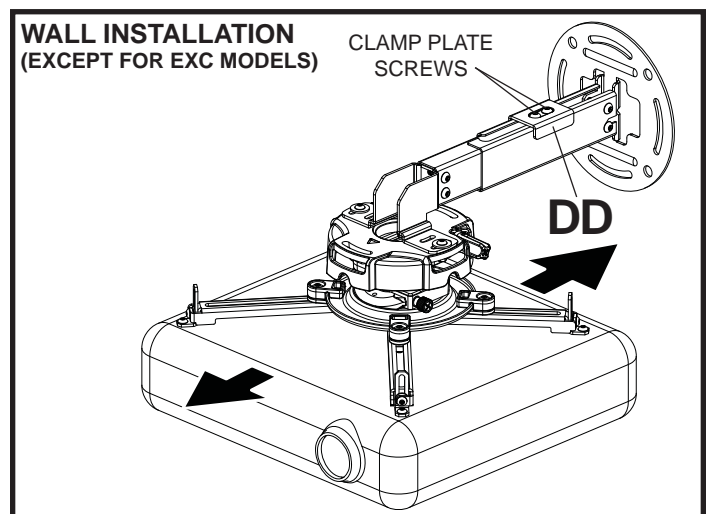
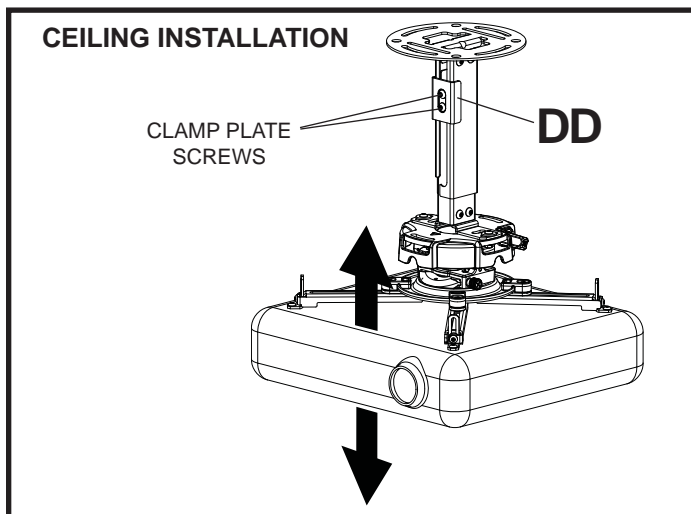


Adjusting Mount Extension

11 While supporting the weight of the projector, loosen clamp plate screws half a turn and position projector to the desired extended position. Retighten clamp plate screws securely.

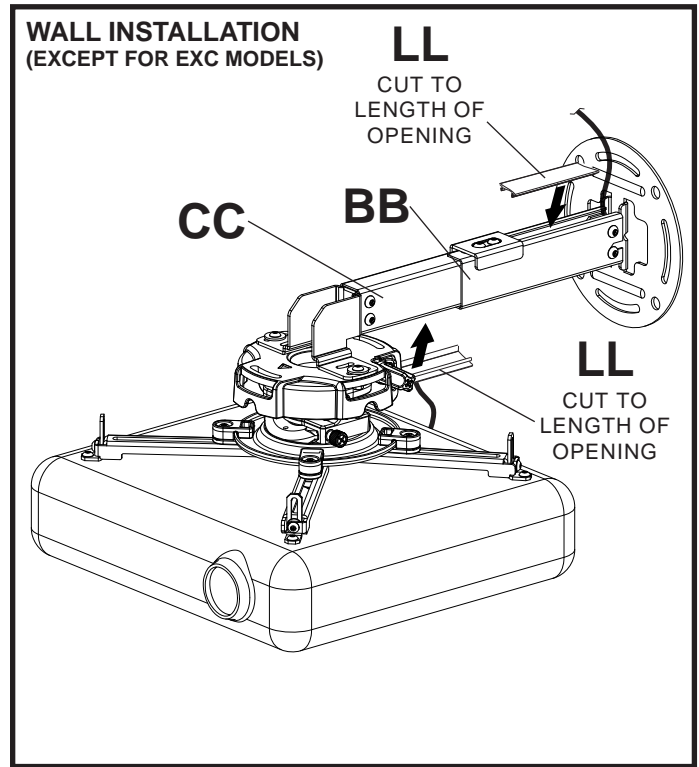
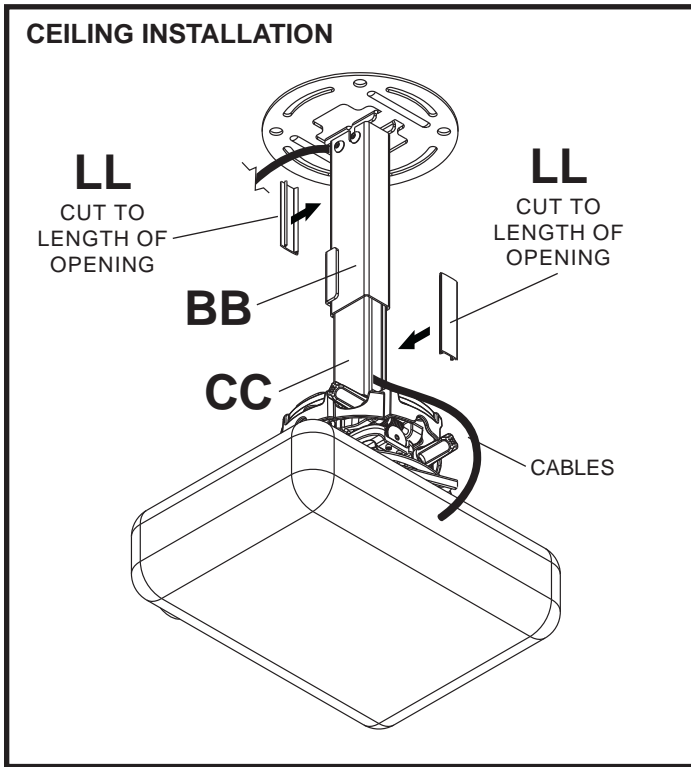
WARNING

- On ceiling installations, clamp plate adjustment screws support weight of projector when fully tightened. Weight of the projector will need to be supported if clamp plate screws are loosened.



Install Cable Covers

- 12 Cut cable covers (LL) to the length of inner channel (CC) and outer channel (BB) openings, leaving space for cables if routed through channels. Snap cable covers (LL) into openings as shown.



Touchboards

205 Westwood Ave, Long Branch, NJ 07740
Phone: 866-94 BOARDS (26273) / (732)-222-1511
Fax: (732)-222-7088 | E-mail: sales@touchboards.com