

PRS-UNV(-S)(-W)
PRS-1(-S)(-W)

PRS Projector Mount

For Multimedia Projectors up to 25 lb (11 kg)

The PRS Series Projector Mount offers the fastest and easiest installation. This mount allows for independent roll, pitch and yaw alignment with four easy to reach adjustment points. With its discreet, low-profile design it is perfect for flush mounting applications. Available in black, silver and white to match any installation requirement.



Max load: 25 lb (11 kg)

FEATURES

- Independent roll, pitch and yaw adjustments provide easy image alignment
- Low-profile design allows for flush mounting installations
- Pre-assembled design reduces installation time
- Cable management allows cables to be routed through projector mount out of sight
- Quick-release mechanism to easily service projector
- Spider® Universal Adapter Plate extends up to 17.63" (448 mm) to fit most projector models
- Specifications:
 - Tilt: +5° / -20°
 - Roll: ±10°
 - Swivel: 360° when mounted on extension column
±15° when flush mounted on ceilings

EFFORTLESS PROJECTOR MAINTENANCE

With its intuitively designed quick-release thumbscrew that smoothly unwinds to enable easy-glide removal of the projector in and out of the mount. No tools required.

IMAGE ALIGNMENT MADE EASY

Four independent adjustment screws allow for a hassle free adjustment of the swivel, roll and pitch



UNIVERSAL COMPATIBILITY

Includes the Spider® Universal Adapter Plate which extends up to 17.63" (448 mm) to fit most projector models



Model Specific Adapters Available

Touchboards

205 Westwood Ave, Long Branch, NJ 07740
Phone: 866-94 BOARDS (26273) / (732)-222-1511
Fax: (732)-222-7088 | E-mail: sales@touchboards.com



Model Numbers

WARRANTY: Limited 5-year

PRS-UNV(-S)(-W):	PRS Projector Mount with Spider® Universal Adapter Plate
PRS-1(-S)(-W):	PRS Projector Mount (PAP model adapter plate required)

Product Specifications

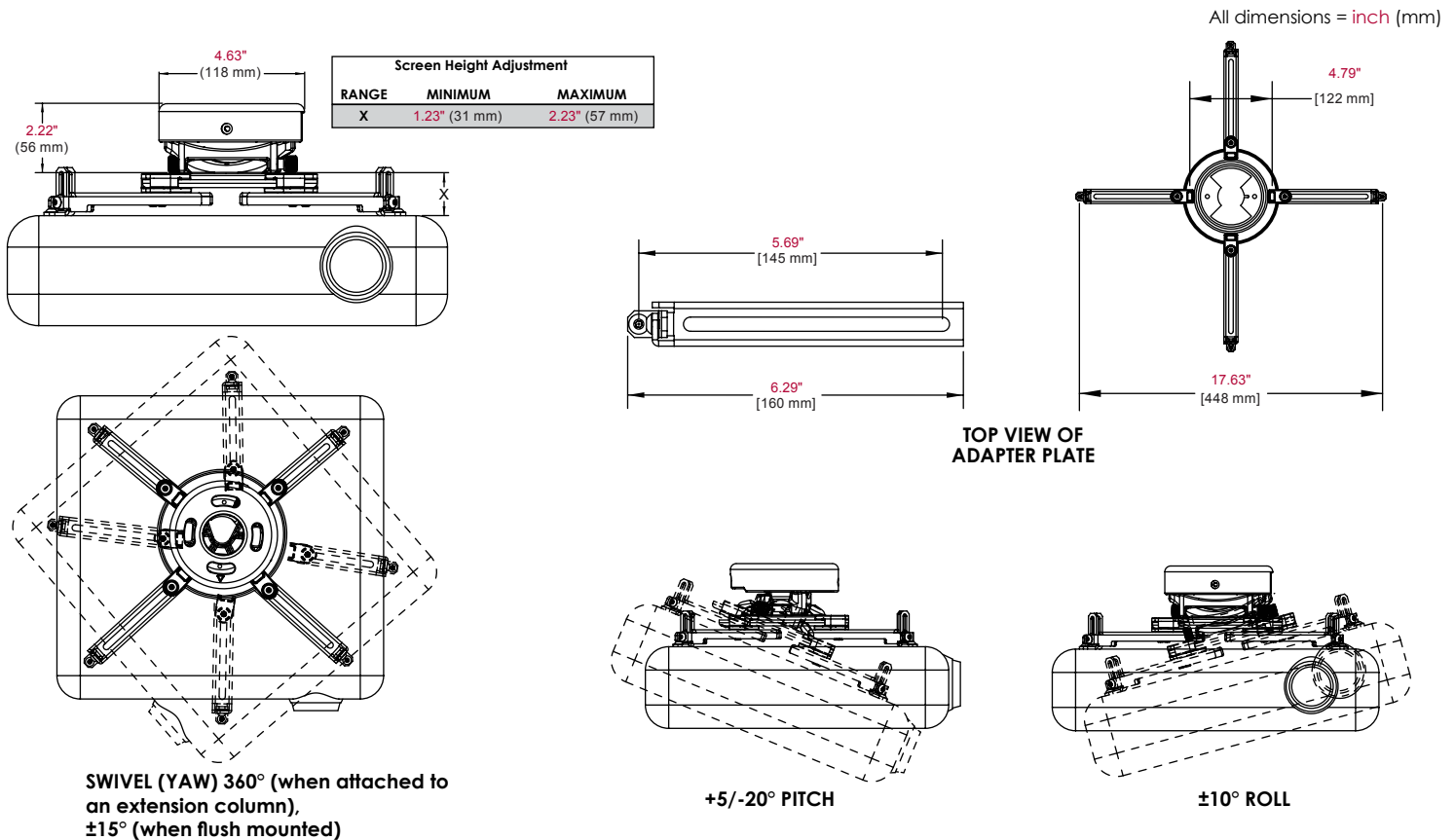
	DIMENSIONS (W x H x D)	PRODUCT WEIGHT	LOAD CAPACITY	FINISH	AVAILABLE COLORS
PRS-UNV(-S)(-W)	8.5"-17.63" x 3.44"-4.44" x 8.5"-17.63" (216-448 x 87-113 x 216-448 mm)	2.83 lb (1.3 kg)	25 lb (11 kg)	Scratch resistant fused epoxy	PRS-UNV: Black PRS-UNV-S: Silver PRS-UNV-W: White PRS-1: Black PRS-1-S: Silver PRS-1-W: White
PRS-1(-S)(-W)	4.63" x 2.22" x 4.63" (118 x 56 x 118 mm)	1.2 lb (.5 kg)			

Package Specifications

	PACKAGE SIZE (W x H x D)	PACKAGE SHIP WEIGHT	PACKAGE UPC CODE	PACKAGE CONTENTS	UNITS IN PACKAGE
PRS-UNV(-S)(-W)	12.25" x 9.63" x 4" (311 x 244 x 102 mm)	3.5 lb (1.6 kg)	PRS-UNV: 735029220343 PRS-UNV-S: 735029225171 PRS-UNV-W: 735029225188	PRS Series Projector Mount, Spider® Universal Adapter Plate, mounting and projector attachment hardware, assembly instructions	1
PRS-1(-S)(-W)	5" x 5" x 5" (127 x 127 x 127 mm)	1.4 lb (.6 kg)	PRS-1: 735029222125 PRS-1-S: 735029224198 PRS-1-W: 735029224204	PRS Series Projector Mount, mounting attachment hardware, assembly instructions	

Accessories

CMJ Models, ACC570, ACC571, ACC912:	Ceiling Kits	ACC830:	Side-to-Side Adjuster
ACC840/845:	Anit-Vibration Mount	PWA14 & EXA/B:	Wall Mount Arm
ADJ, EXT and EXA/B/C:	Extension Columns	ACC050:	Stability Kit
ACC800/850 & ACC852/856:	Cable Management Adapter		



ARCHITECTS SPECIFICATIONS

The PRS Series Projector Mount with Spider™ Universal Adapter Plate shall be a Peerless model PRS-UNV and shall be located where indicated on the plans. It shall feature 25°(+5°/-20°) pitch, 20°(+10°) roll, 360° yaw (when attached to an extension column), and +/-15° yaw (when flush mounted). It shall have a 25 lb load capacity. It shall have a quick release spring loaded screw for easy removal and installation of the projector. It shall be constructed of aluminum alloy finished in black, white, or silver. Assembly and installation shall be done according to instructions provided by the manufacturer.