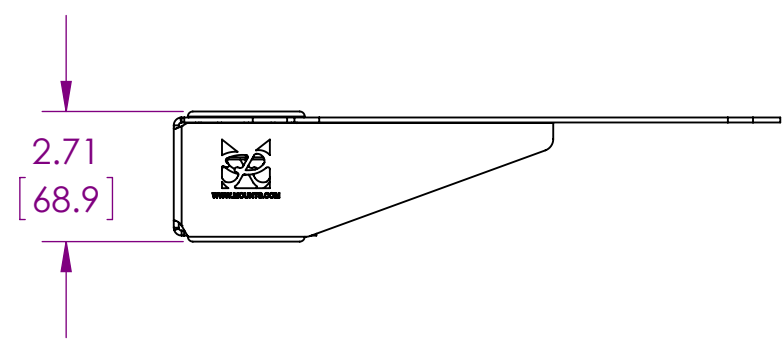
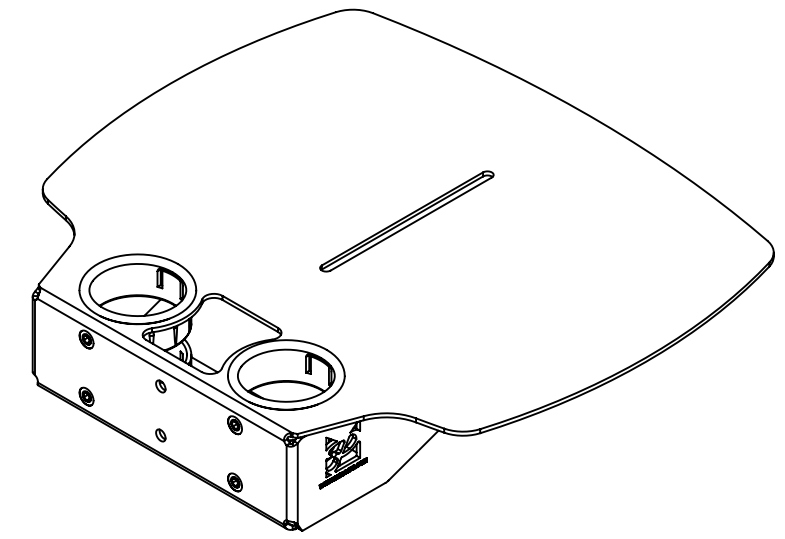
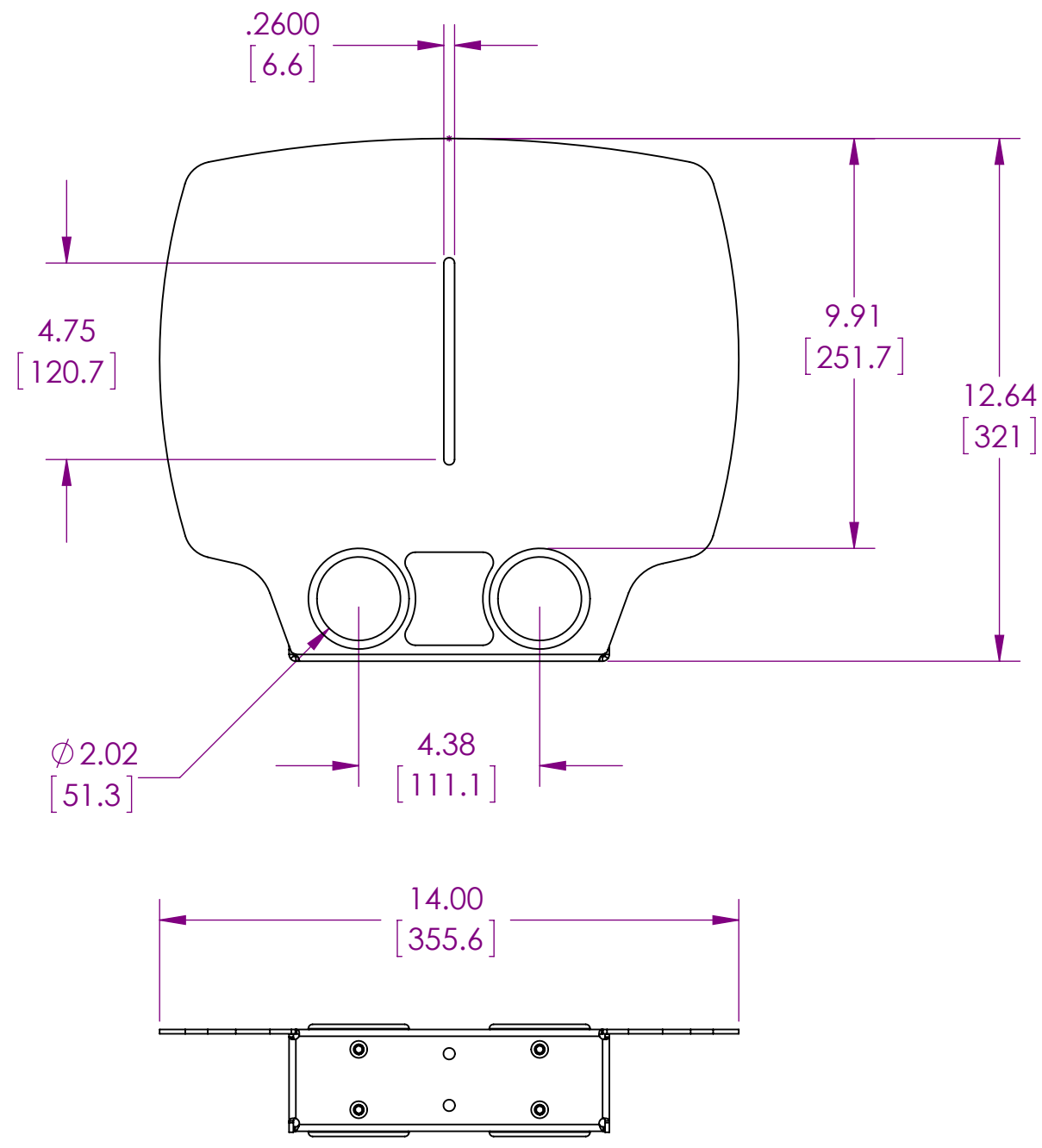


THE INFORMATION CONTAINED IN THIS DRAWING IS THE SOLE PROPERTY OF PREMIER MOUNTS DIVISION OF <PMPI> ANY REPRODUCTION IN PART OR WHOLE WITHOUT THE WRITTEN PERMISSION OF PREMIER MOUNTS DIVISION OF <PMPI> IS PROHIBITED.

D  
C  
B  
A



MOUNTS.COM

WEIGHT CAPACITY 50 LBS  
DIMENSION ARE IN INCH AND [MM]

**PREMIER MOUNTS**  
1321 South State College Blvd  
Fullerton Ca, 92831  
P. 800.368.9700 - F. 800.832.4888

ITEM DESCRIPTION:		CAMERA SHELF	
SIZE B	DWG. NO.	PSD-CAM	
SCALE: 1:4		SHEET 1 OF 1	

8 7 6 5 4 3 2 1

8 7 6 5 4 3 2 1