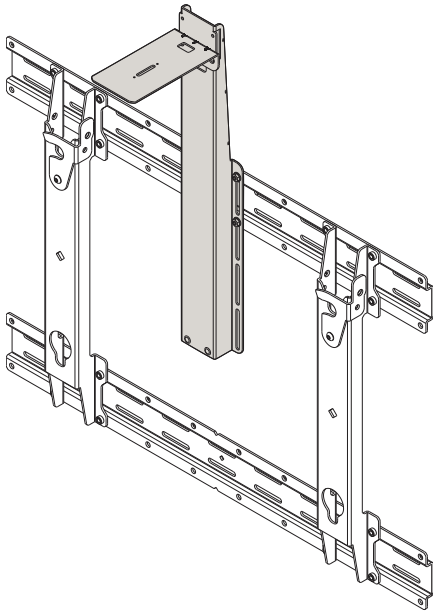
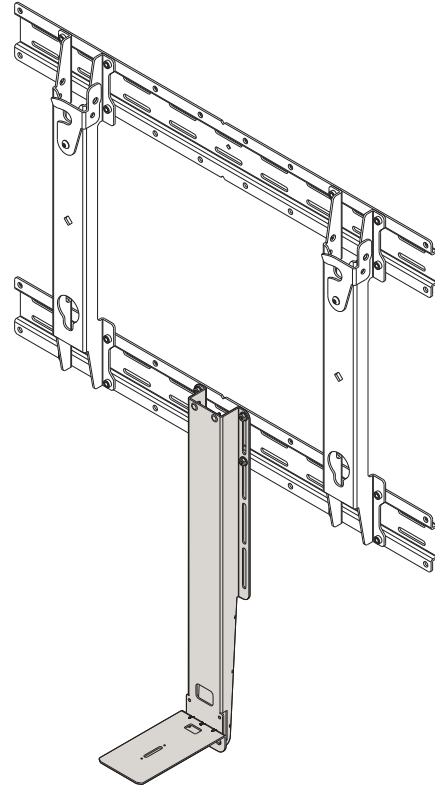


INSTALLATION INSTRUCTIONS



(above PSMH installation)



(below PSMH installation)

PSMH Camera shelf

DISCLAIMER

Milestone AV Technologies and its affiliated corporations and subsidiaries (collectively "Milestone"), intend to make this manual accurate and complete. However, Milestone makes no claim that the information contained herein covers all details, conditions or variations, nor does it provide for every possible contingency in connection with the installation or use of this product. The information contained in this document is subject to change without notice or obligation of any kind. Milestone makes no representation of warranty, expressed or implied, regarding the information contained herein. Milestone assumes no responsibility for accuracy, completeness or sufficiency of the information contained in this document.

Chief® and Vaddio® are registered trademarks of Milestone AV Technologies. All rights reserved.

DEFINITIONS

MOUNTING SYSTEM: A MOUNTING SYSTEM is the primary Chief product to which an accessory and/or component is attached.

ACCESSORY: AN ACCESSORY is the secondary Chief product which is attached to a primary Chief product, and may have a component attached or setting on it.

COMPONENT: A COMPONENT is an audiovisual item designed to be attached or resting on an accessory or mounting system such as a video camera, CPU, screen, display, projector, etc.



WARNING: A WARNING alerts you to the possibility of serious injury or death if you do not follow the instructions.



CAUTION: A CAUTION alerts you to the possibility of damage or destruction of equipment if you do not follow the corresponding instructions.



IMPORTANT SAFETY INSTRUCTIONS



WARNING: Failure to read, thoroughly understand, and follow all instructions can result in serious personal injury, damage to equipment, or voiding of factory warranty! It is the installer's responsibility to make sure all accessories are properly assembled and installed using the instructions provided.



WARNING: Failure to provide adequate structural strength for this accessory can result in serious personal injury or damage to equipment! It is the installer's responsibility to make sure the structure to which this accessory is attached can support five times the combined weight of all equipment. Reinforce the structure as required before installing the accessory.



WARNING: Exceeding the weight capacity can result in serious personal injury or damage to equipment! It is the installer's responsibility to make sure the combined weight of all components attached to the accessory does not exceed 10 lbs (4.54 kg).



WARNING: Use this accessory only for its intended use as described in these instructions. Do not use attachments not recommended by the manufacturer.



WARNING: Never operate this accessory if it is damaged. Return the accessory to a service center for examination and repair.



WARNING: Do not use this accessory outdoors.

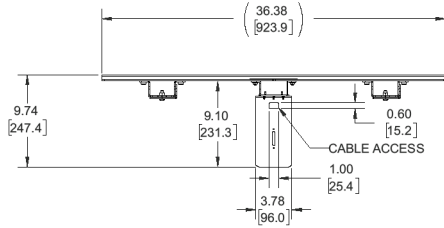


WARNING: RISK OF INJURY TO PERSONS! Do not place video equipment such as televisions or computer monitors on PSMA800 shelf.

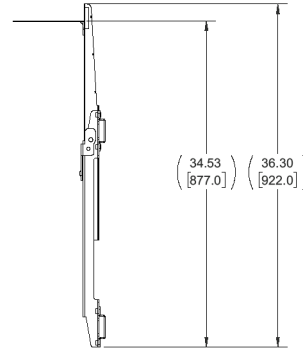
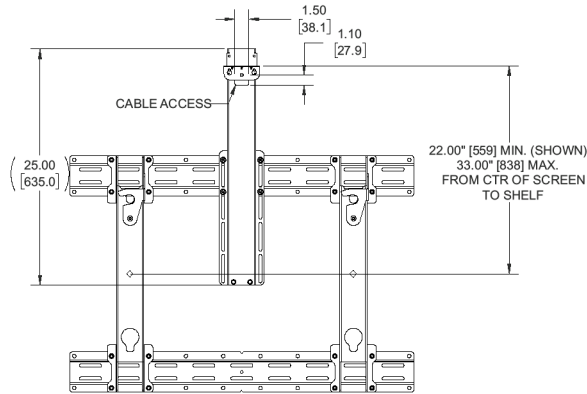
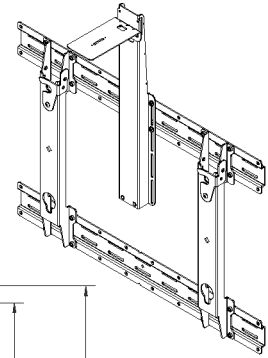
--SAVE THESE INSTRUCTIONS--

DIMENSIONS

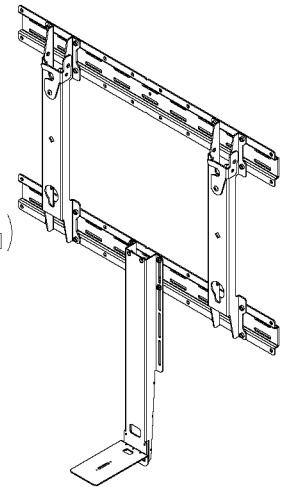
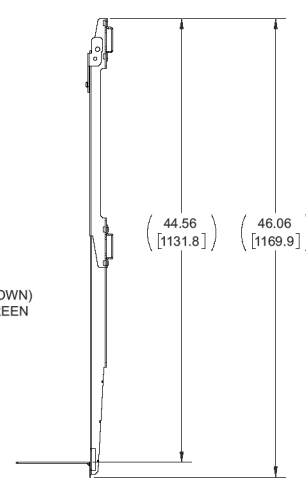
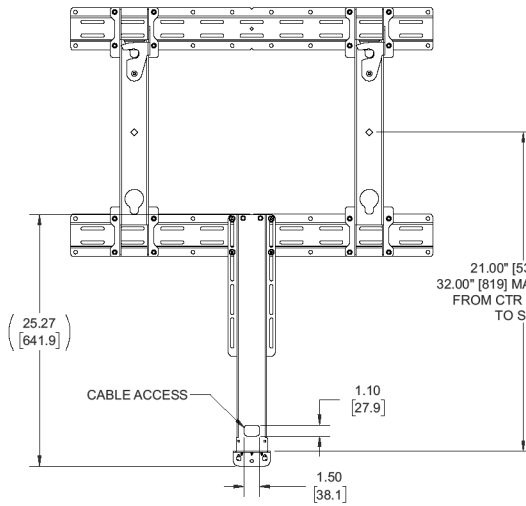
Above Shelf (Minimum shown)



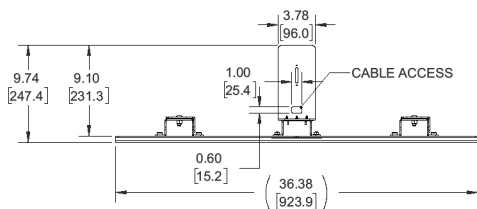
PSMA800 SHELF ASSEMBLY SHOWN IN ABOVE SCREEN POSITION ON PSMH. PSMH NOT INCLUDED





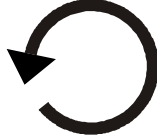

Below Shelf (Maximum shown)



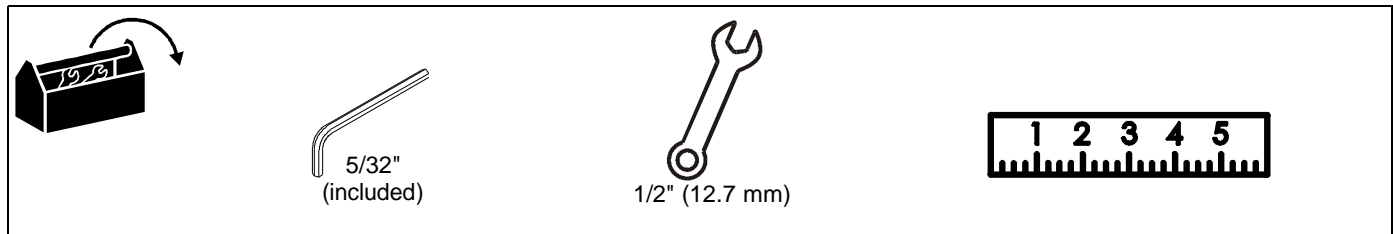
PSMA800 SHELF ASSEMBLY SHOWN IN BELOW SCREEN POSITION ON PSMH. PSMH NOT INCLUDED



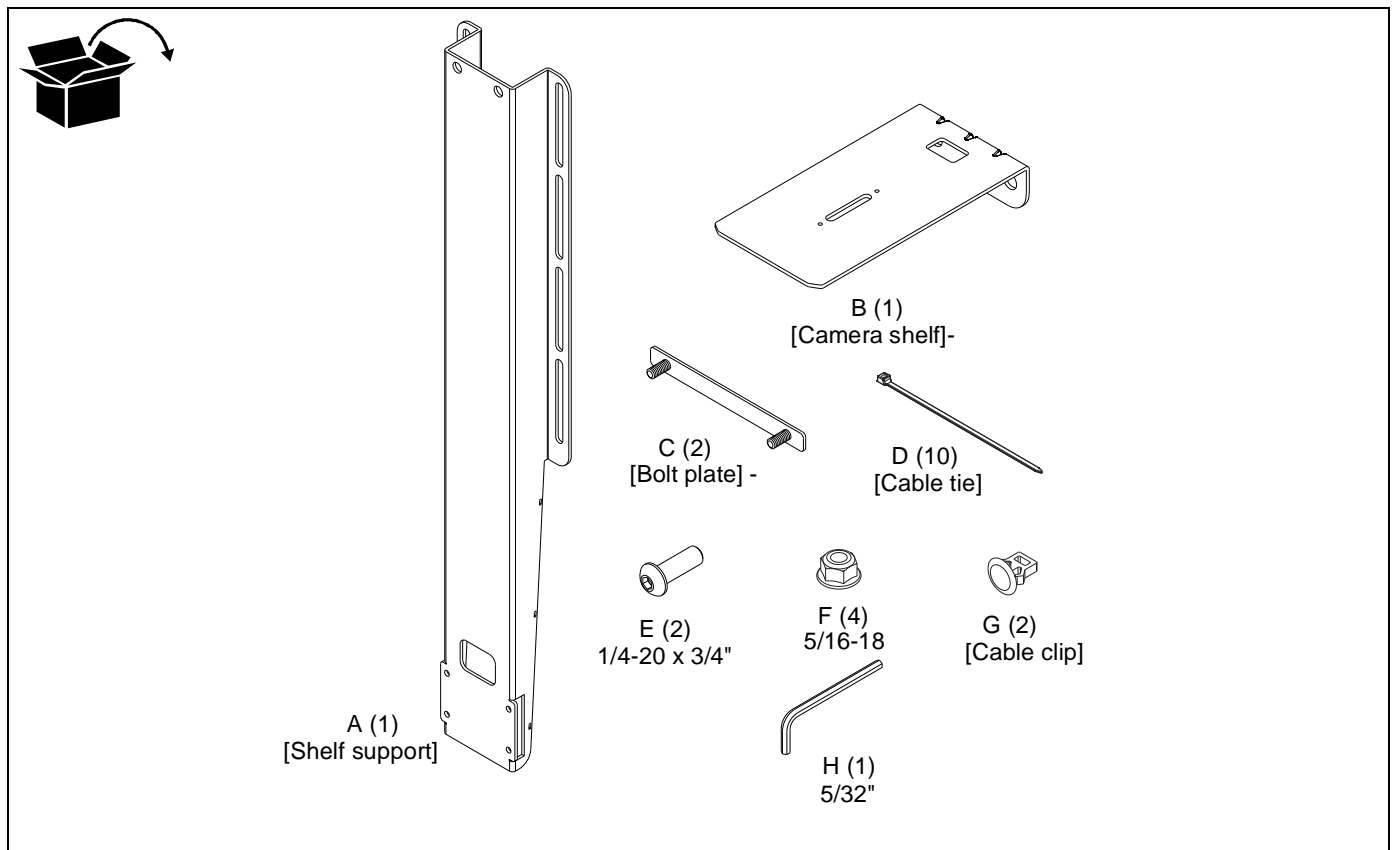
LEGEND

	Tighten Fastener		Open-Ended Wrench
	Apretar elemento de fijación		Llave de boca
	Befestigungsteil festziehen		Gabelschlüssel
	Apertar fixador		Chave de bocas
	Serrare il fissaggio		Chiave a punte aperte
	Bevestiging vastdraaien		Steeksleutel
Serrez les fixations	Clé à fourche		
	Loosen Fastener		Hex-Head Wrench
	Aflojar elemento de fijación		Llave de cabeza hexagonal
	Befestigungsteil lösen		Sechskantschlüssel
	Desapertar fixador		Chave de cabeça sextavada
	Allentare il fissaggio		Chiave esagonale
	Bevestiging losdraaien		Zeskantsleutel
Desserrez les fixations	Clé à tête hexagonale		

TOOLS REQUIRED FOR INSTALLATION



PARTS



Assembly and Installation

The PSMA800 is designed to be installed to Chief® PSMH mounts. Install PSMH mount to wall prior to installing PSMA800.

Installation to PSMH

1. Measure height of display to be mounted from center of screen to desired shelf height. Use this distance to determine which holes to use to mount PSMA800 to PSMH. (See Figure 1)

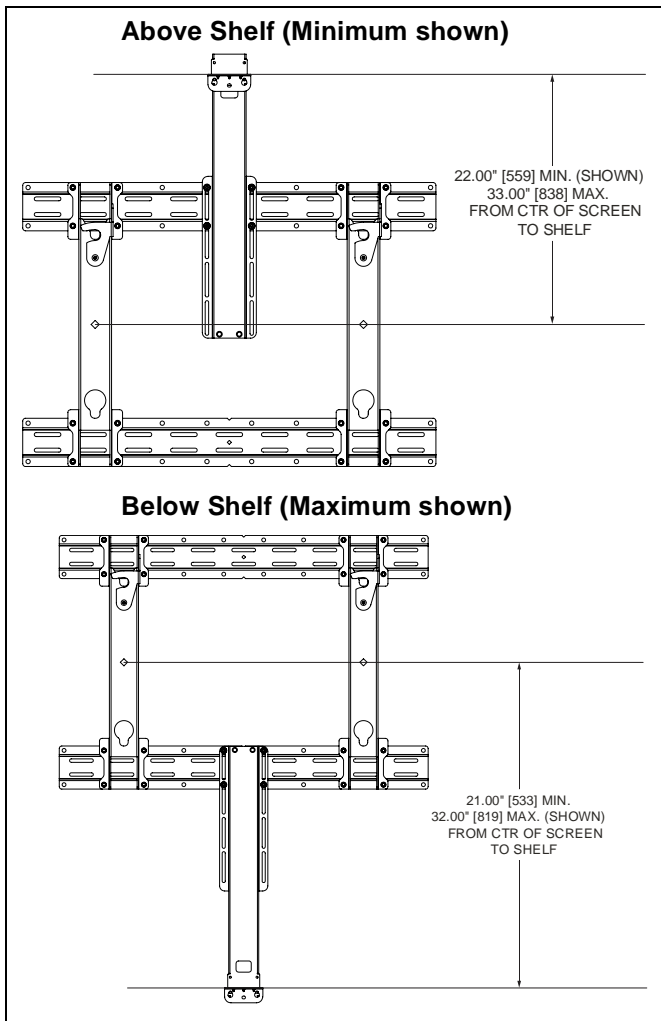


Figure 1

2. Use four 5/16-18 flange hex nuts (F) and two bolt plates (C) to secure shelf support (A) to PSMH mount at desired mounting height. (See Figure 2)

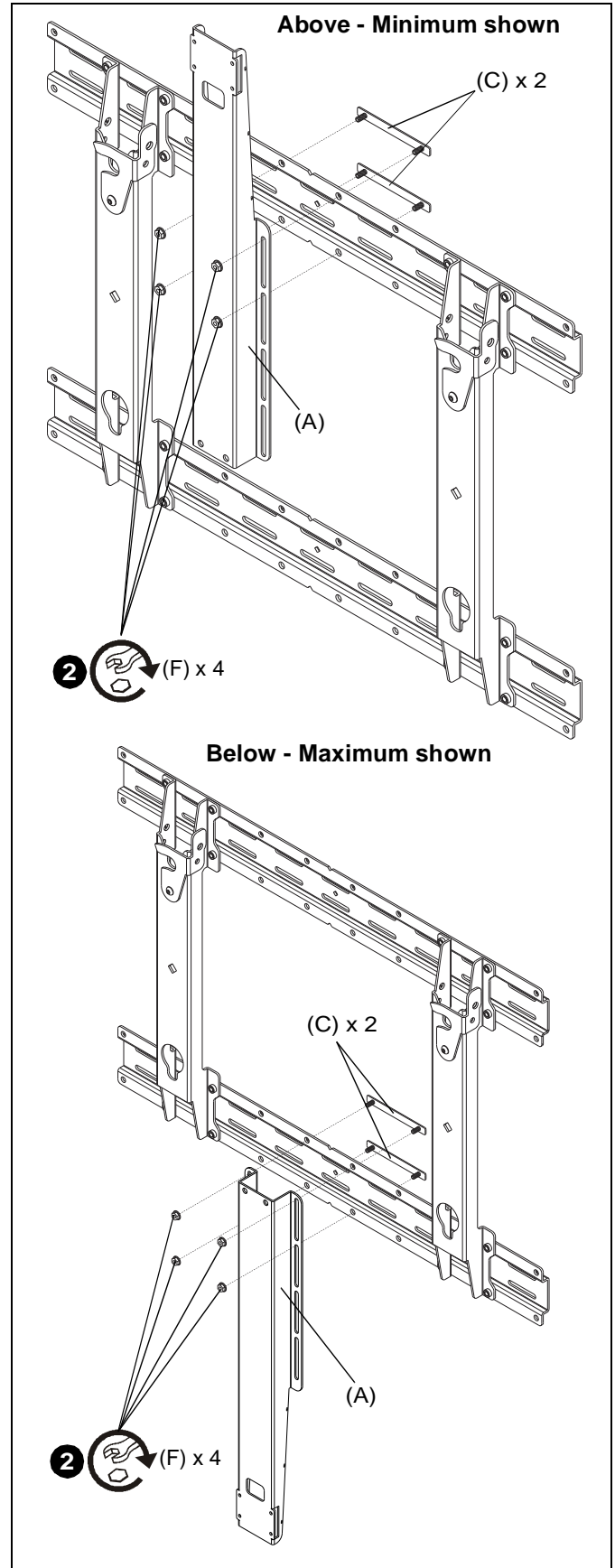


Figure 2

3. Loosely install two 1/4-20 x 3/4" button head cap screws (E) into holes on support shelf. (See Figure 3)
4. Hang camera shelf (B) onto screws. (See Figure 3)
5. Tighten two screws (E) to secure camera shelf (B) to support shelf (A). (See Figure 3)

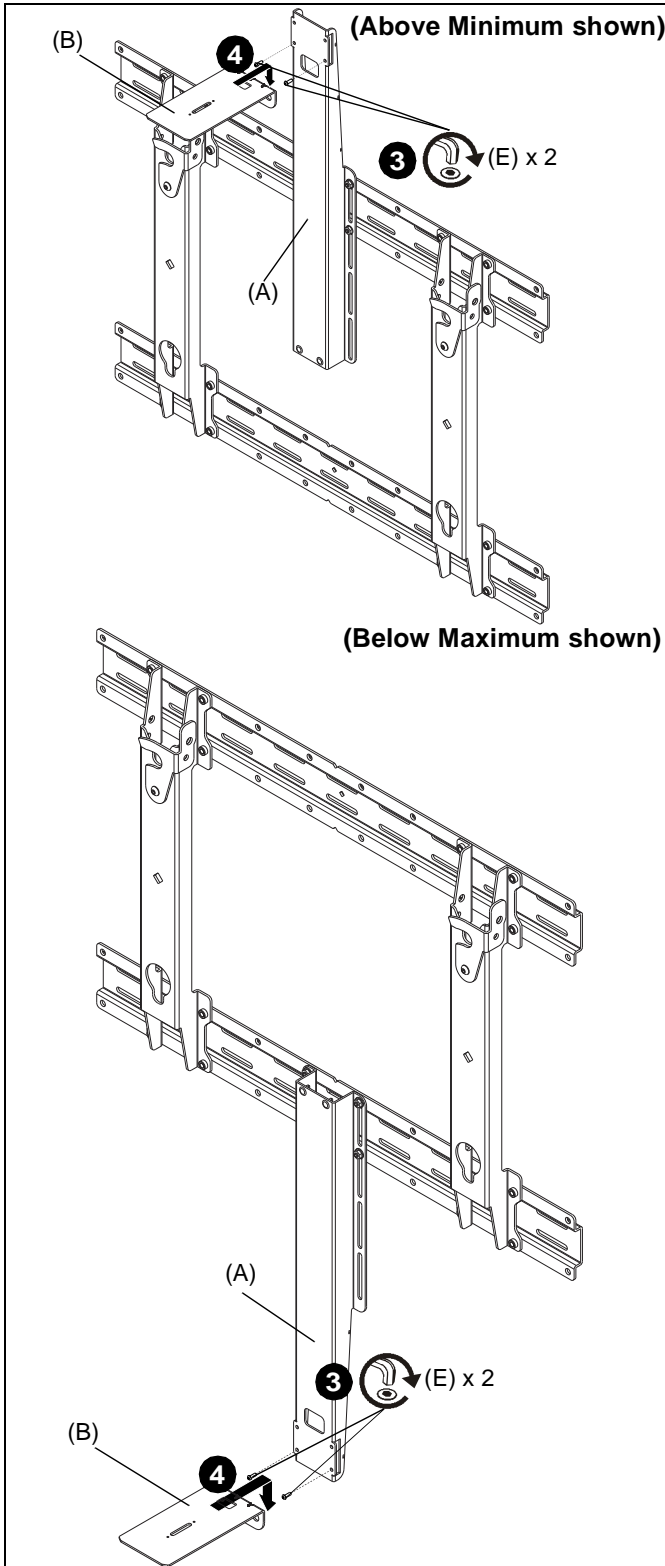


Figure 3

Camera Installation



WARNING: Exceeding the weight capacity can result in serious personal injury or damage to equipment! It is the installer's responsibility to make sure the combined weight of all components attached to the accessory does not exceed 10 lbs (4.54 kg).



WARNING: Camera must be secured to PSMA800 shelf using camera screw (not included). Failure to securely mount camera to shelf may result in serious personal injury or damage to equipment.

NOTE: Screw mounting options will vary based upon camera model.

1. Install screw (not included) through long mounting slot on shelf and into hole on bottom of camera. (See Figure 4)

NOTE: Small holes on either side of long slot are for installing optional Vaddio® conference shot speakers (not included).

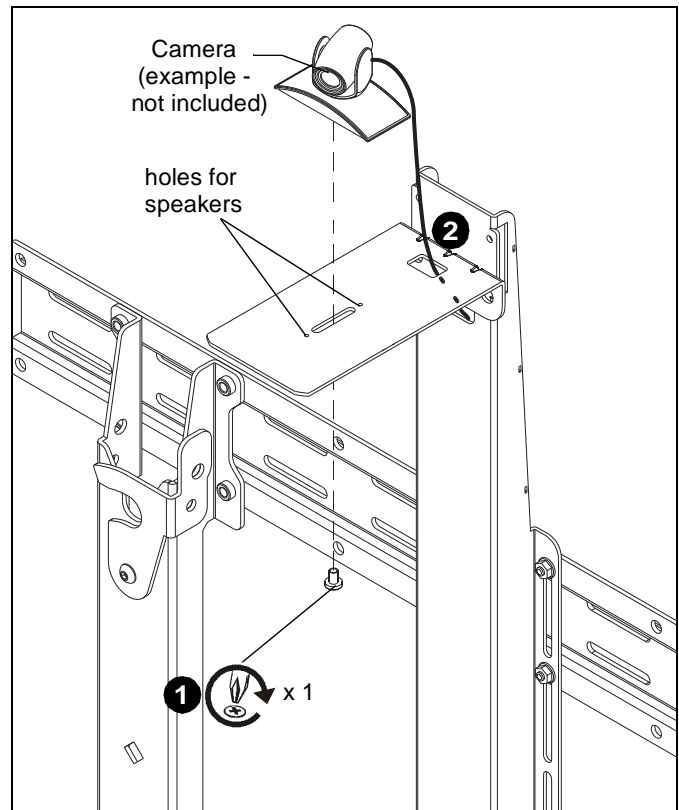


Figure 4

2. Route cable from camera towards back of shelf and down through cable management holes. (See Figure 4)

Cable Management

1. Install cable clips into holes on shelf support (A). (See Figure 5)
2. Use installed cable clips (G) and cable ties (D) as desired to manage cables.

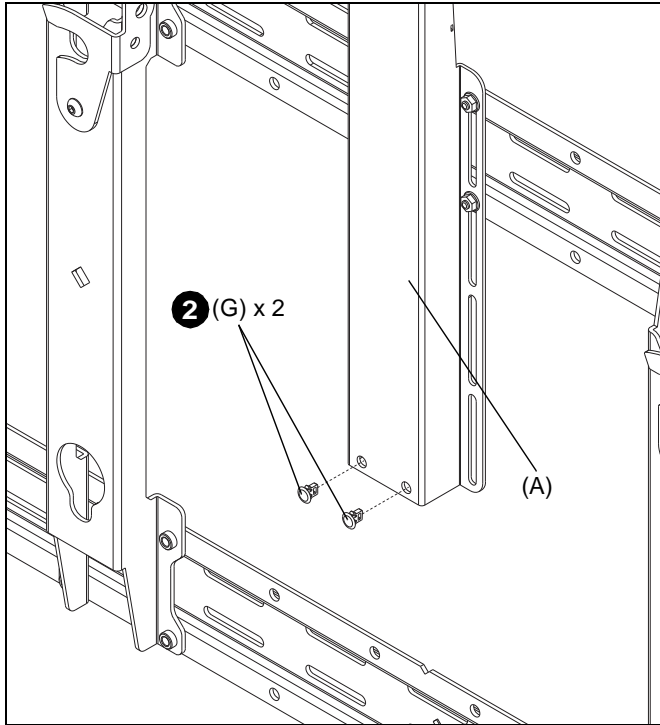


Figure 5



Our Mounts. **Your Vision.**

Chief, a products division of
Milestone AV Technologies

8800-003003 Rev00
©2017 Milestone AV Technologies
www.milestone.com
11/17

USA/International	A 6436 City West Parkway, Eden Prairie, MN 55344 P 800.582.6480 / 952.225.6000 F 877.894.6918 / 952.894.6918
Europe	A Franklinstraat 14, 6003 DK Weert, Netherlands P +31 (0) 495 580 852 F +31 (0) 495 580 845
Asia Pacific	A Office No. 918 on 9/F, Shatin Galleria 18-24 Shan Mei Street Fotan, Shatin, Hong Kong P 852 2145 4099 F 852 2145 4477

