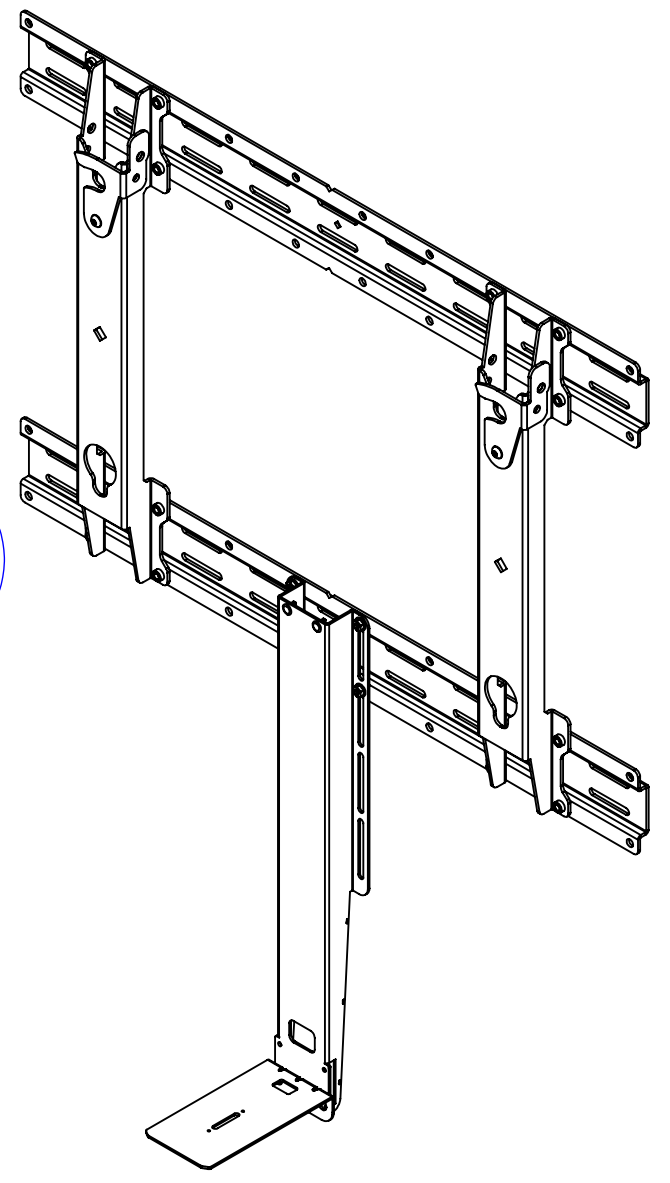
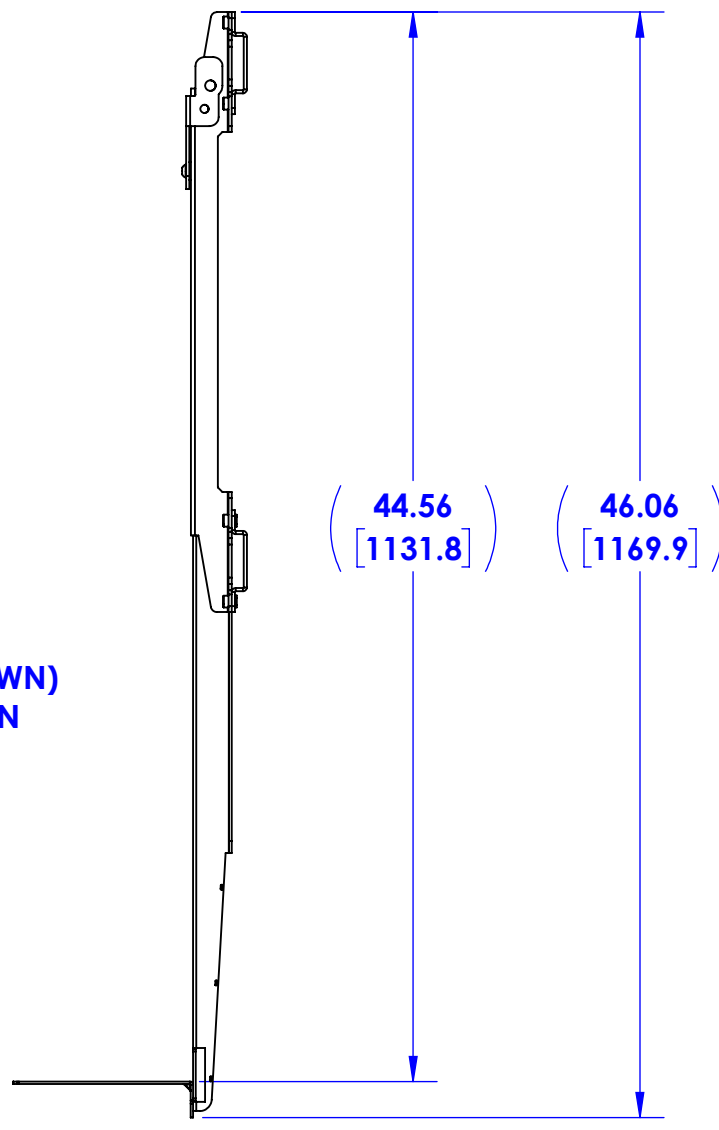
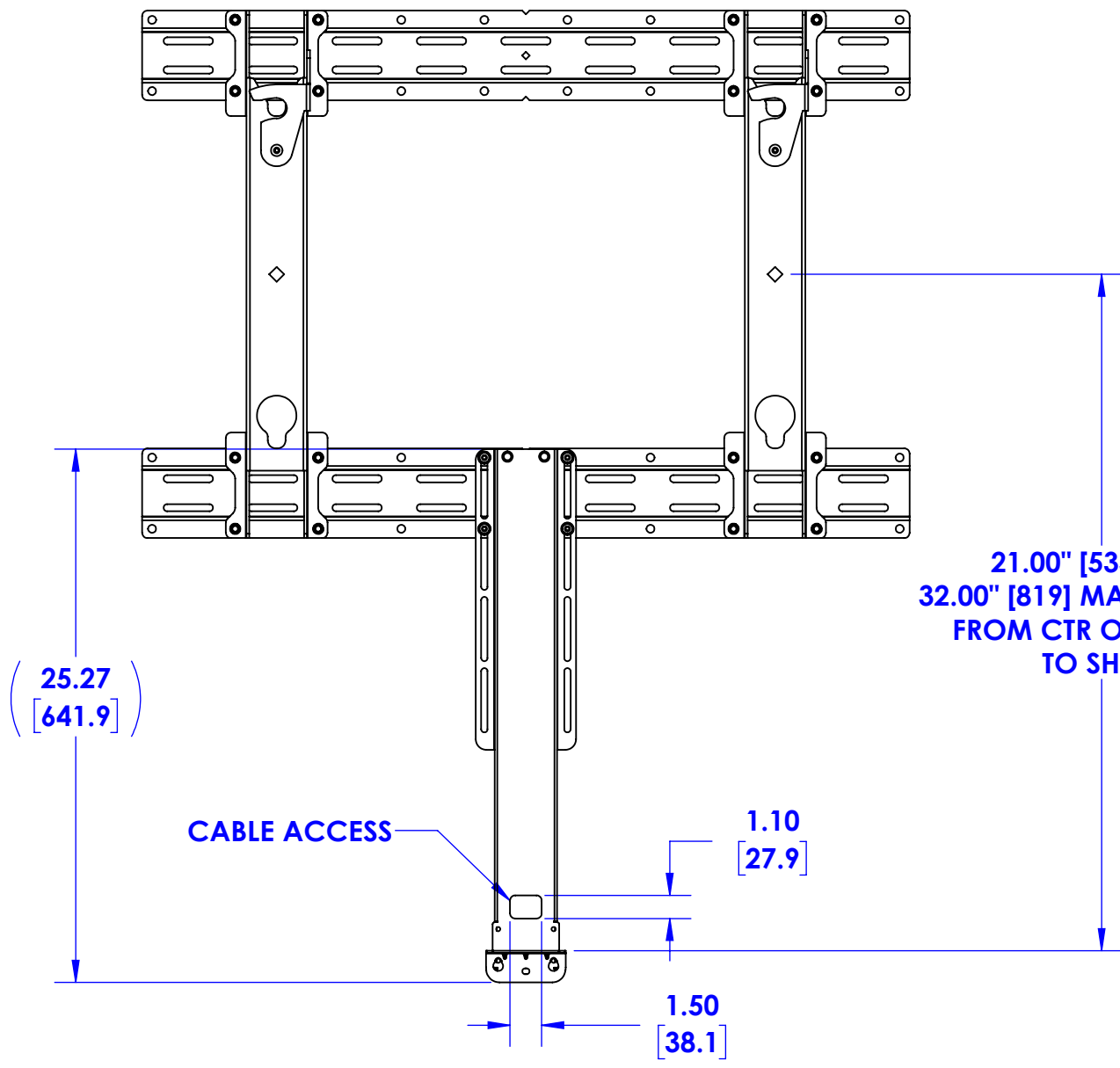


THE INFORMATION AND DESIGNS CONTAINED IN THIS DRAWING ARE CONFIDENTIAL AND THE PROPRIETARY PROPERTY OF MILESTONE AV TECHNOLOGIES NEITHER THIS DESIGN NOR ANY INFORMATION CONTAINED IN THIS DRAWING MAY BE REPRODUCED OR DISCLOSED TO OTHERS WITHOUT THE EXPRESS WRITTEN CONSENT OF MILESTONE AV TECHNOLOGIES.

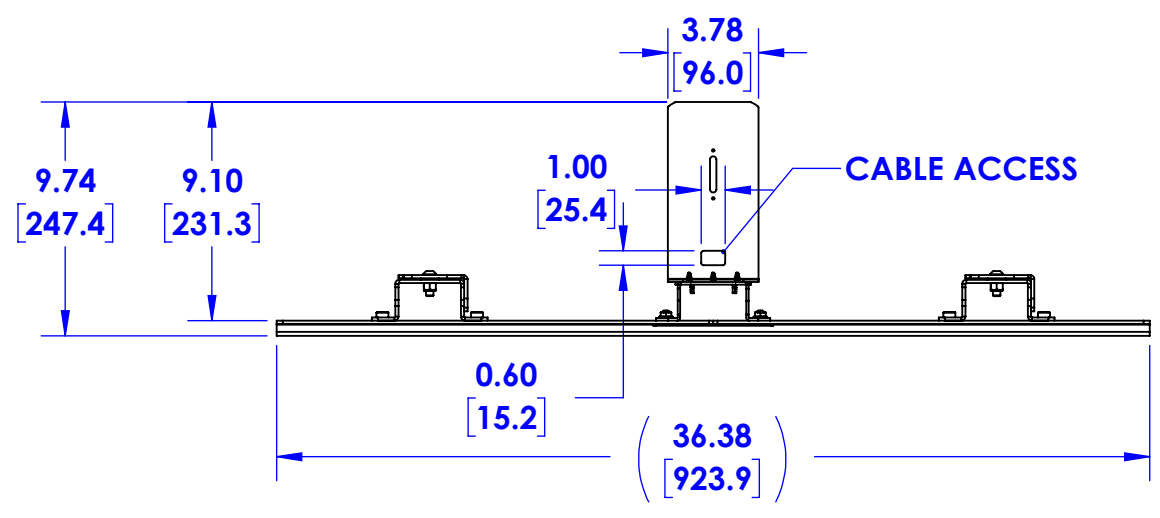
CAD GENERATED DRAWING, DO NOT MANUALLY UPDATE.			CHIEF		6436 CITY WEST PKWY EDEN PRAIRIE MN, 55344 PHONE: 866-977-3901 FAX: 877-894-6918
DRAWN BY	PJO	9/28/2017	DESCRIPTION PSMA800 CUSTOMER PRINT		
ENG APPROVAL			MODEL NO. PSMA800		
MFG APPROVAL			SIZE	DWG. NO.	REV.
QA APPROVAL			B	TECH-000875-XXX	00
SHEET 1 OF 2			SCALE		
			1:8		

D
C
B
A

D
C
B
A



**PSMA800 SHELF ASSEMBLY
SHOWN IN BELOW SCREEN POSITION
ON PSMH. PSMH NOT INCLUDED**



THE INFORMATION AND DESIGNS CONTAINED IN THIS DRAWING ARE CONFIDENTIAL AND THE PROPRIETARY PROPERTY OF MILESTONE AV TECHNOLOGIES NEITHER THIS DESIGN NOR ANY INFORMATION CONTAINED IN THIS DRAWING MAY BE REPRODUCED OR DISCLOSED TO OTHERS WITHOUT THE EXPRESS WRITTEN CONSENT OF MILESTONE AV TECHNOLOGIES.

CAD GENERATED DRAWING, DO NOT MANUALLY UPDATE.				6436 CITY WEST PKWY EDEN PRAIRIE MN, 55344 PHONE: 866-977-3901 FAX: 877-894-6918	
DRAWN BY	PJO	9/28/2017		DESCRIPTION PSMA800 CUSTOMER PRINT	
ENG APPROVAL			MODEL NO. PSMA800		
MFG APPROVAL			SCALE	SIZE	DWG. NO.
QA APPROVAL			1:8	B	TECH-000875-XXX
SHEET 2 OF 2			REV.	00	