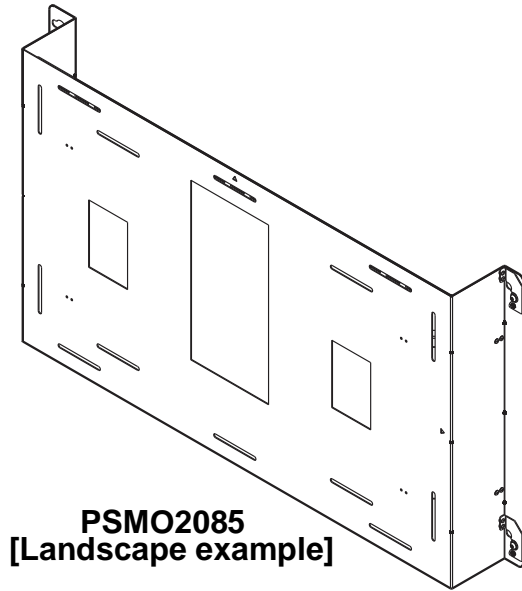
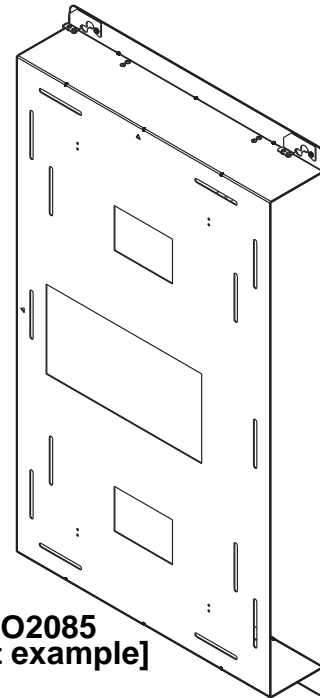

INSTALLATION INSTRUCTIONS



PSMO2085
[Landscape example]



PSMO2085
[Portrait example]

Outdoor Large Flat Panel Static Wall Mount

DISCLAIMER

Milestone AV Technologies and its affiliated corporations and subsidiaries (collectively "Milestone"), intend to make this manual accurate and complete. However, Milestone makes no claim that the information contained herein covers all details, conditions or variations, nor does it provide for every possible contingency in connection with the installation or use of this product. The information contained in this document is subject to change without notice or obligation of any kind. Milestone makes no representation of warranty, expressed or implied, regarding the information contained herein. Milestone assumes no responsibility for accuracy, completeness or sufficiency of the information contained in this document.

Chief® is a registered trademark of Milestone AV Technologies. All rights reserved.

DEFINITIONS

MOUNTING SYSTEM: A MOUNTING SYSTEM is the primary Chief product to which an accessory and/or component is attached.

ACCESSORY: AN ACCESSORY is the secondary Chief product which is attached to a primary Chief product, and may have a component attached or setting on it.

COMPONENT: A COMPONENT is an audiovisual item designed to be attached or resting on an accessory or mounting system such as a video camera, CPU, screen, display, projector, etc.



WARNING: A WARNING alerts you to the possibility of serious injury or death if you do not follow the instructions.



CAUTION: A CAUTION alerts you to the possibility of damage or destruction of equipment if you do not follow the corresponding instructions.



IMPORTANT SAFETY INSTRUCTIONS



WARNING: Failure to read, thoroughly understand, and follow all instructions can result in serious personal injury, damage to equipment, or voiding of factory warranty! It is the installer's responsibility to make sure all mounting systems are properly assembled and installed using the instructions provided.



WARNING: Failure to provide adequate structural strength for this mounting system can result in serious personal injury or damage to equipment! It is the installer's responsibility to make sure the structure to which this mounting system is attached can support five times the combined weight of all equipment. Reinforce the structure as required before installing the mounting system.



WARNING: Exceeding the weight capacity can result in serious personal injury or damage to equipment! It is the installer's responsibility to make sure the combined weight of all components attached to mounting system does not exceed 125 lbs (56.7 kg).



WARNING: Use this mounting system only for its intended use as described in these instructions. Do not use attachments not recommended by the manufacturer.



WARNING: Never operate this mounting system if it is damaged. Return the mounting system to a service center for examination and repair.

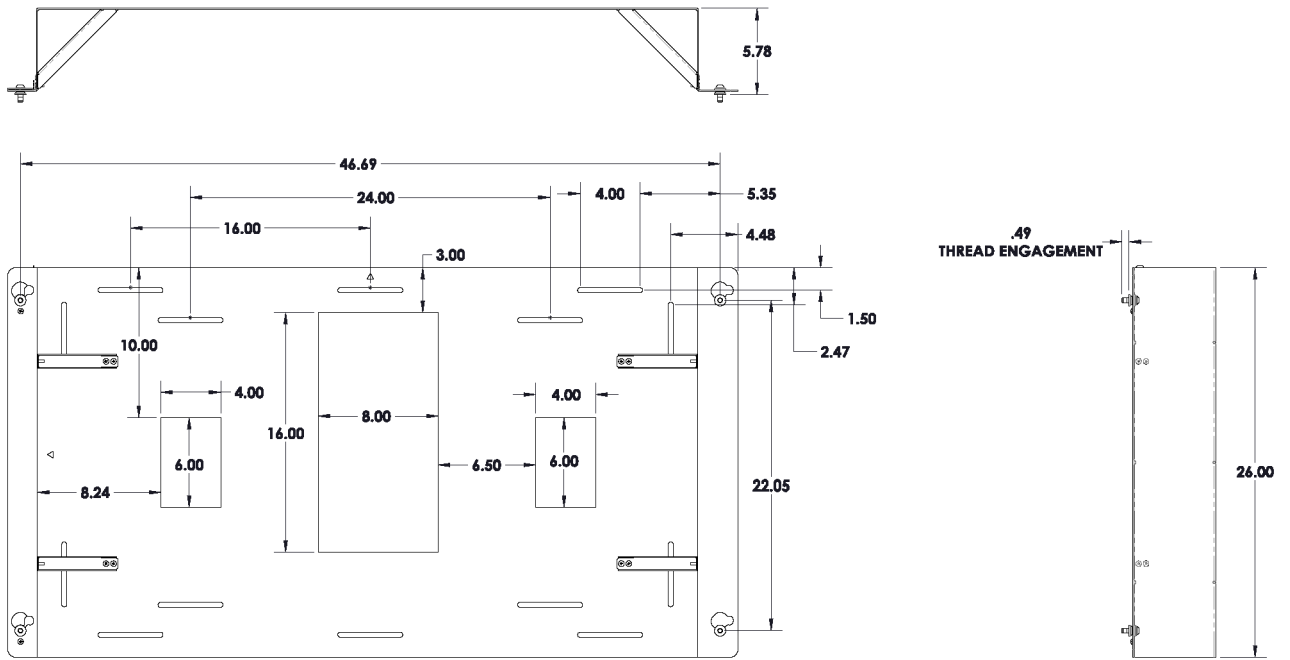
IMPORTANT ! : The PSMO2085 mounting system is designed to be mounted to a:

- 2" x 4" wood studs (16" on center [portrait or landscape installation] or 24" on center [landscape installation]) wall covered with drywall having a maximum thickness of 5/8"; or
- bare 8" thick solid concrete or 8"x8"x16" concrete block wall.

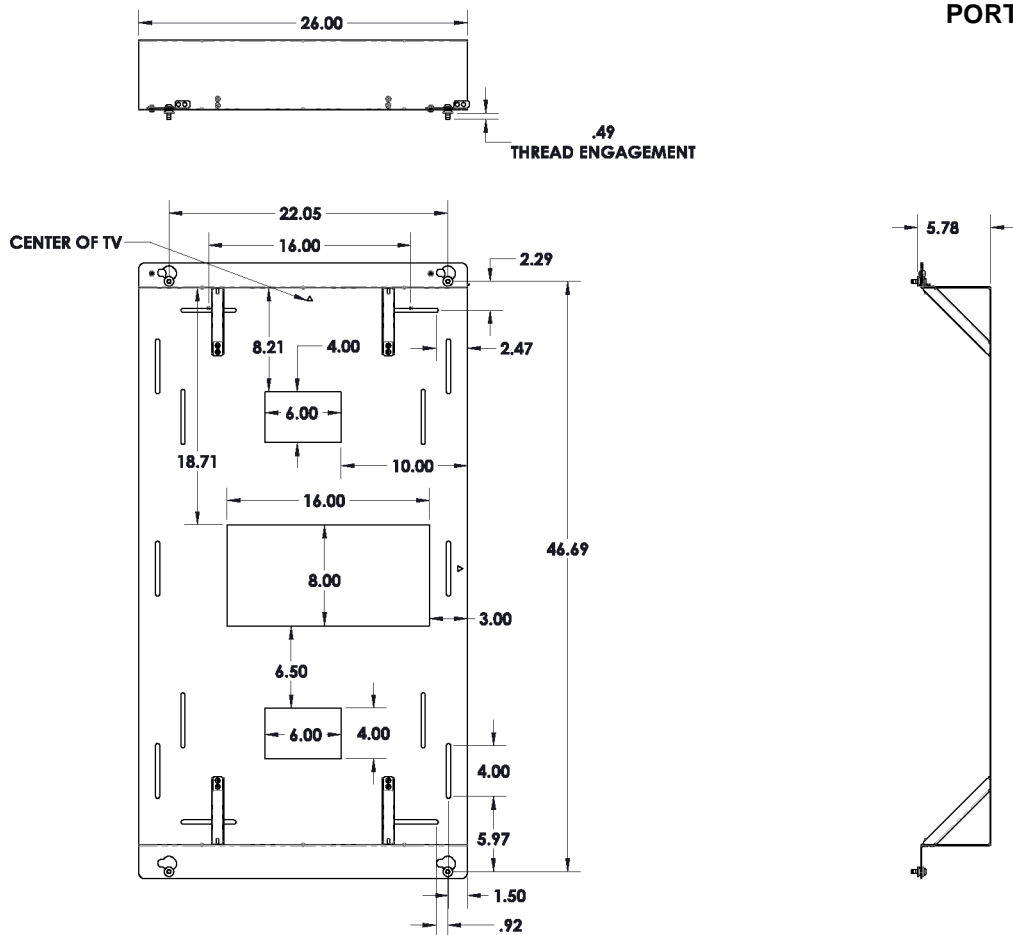
--SAVE THESE INSTRUCTIONS--

DIMENSIONS



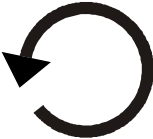



LANDSCAPE ORIENTATION



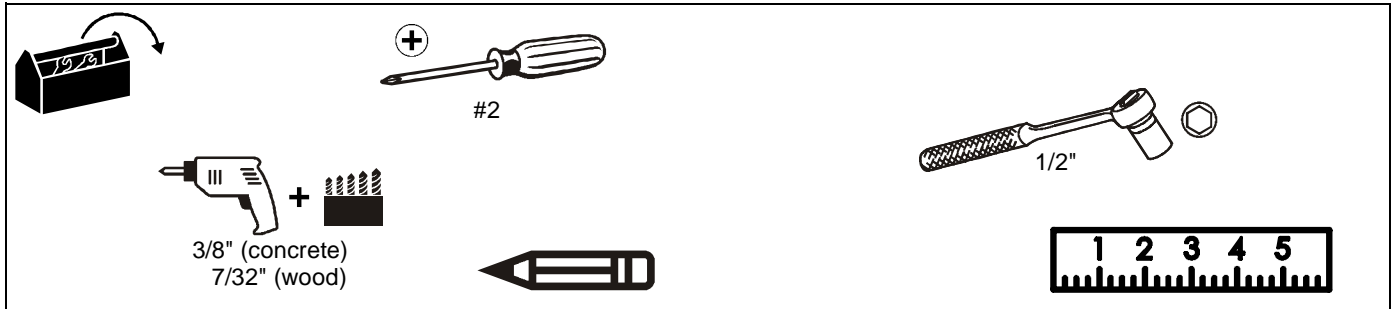
PORTRAIT ORIENTATION



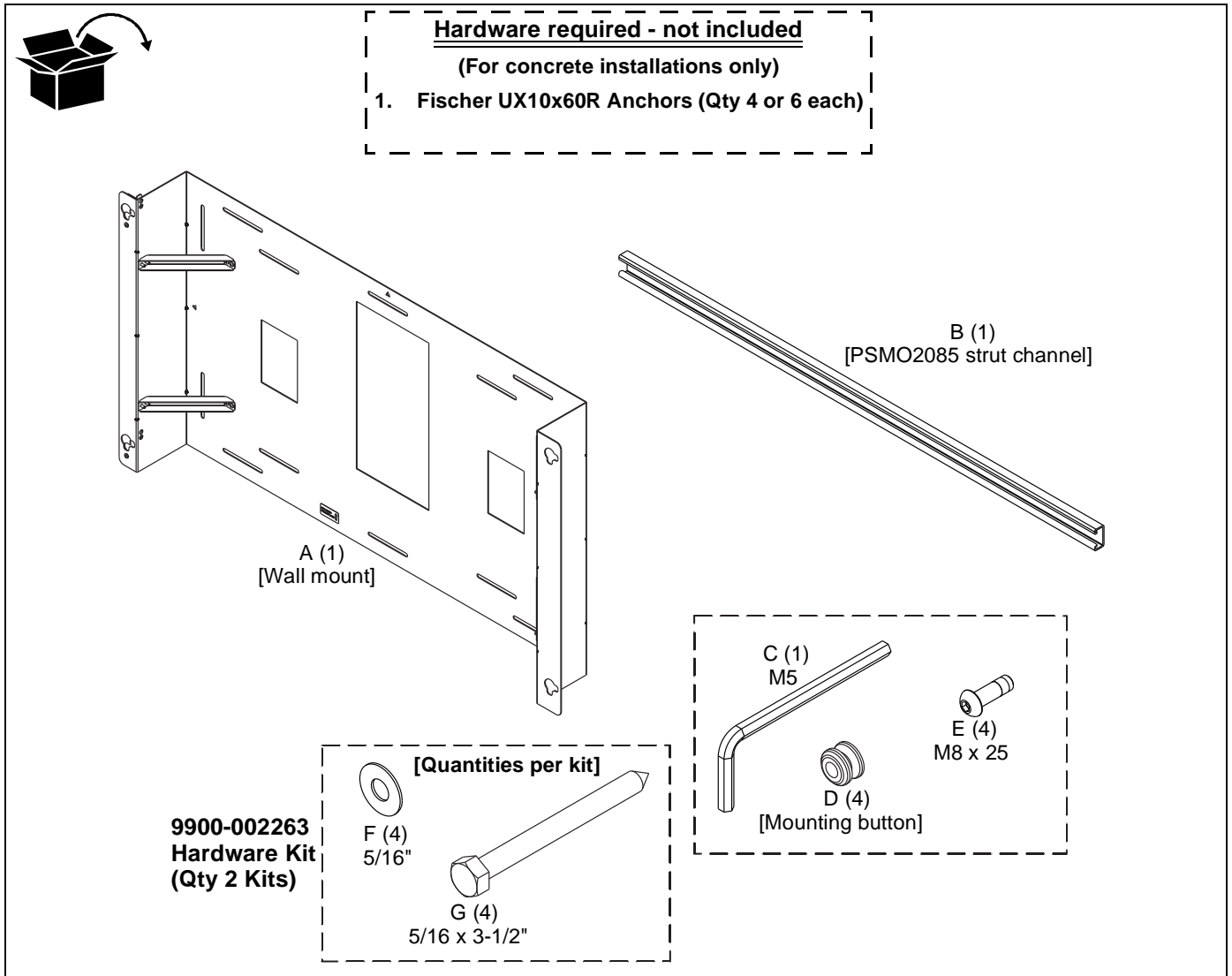
LEGEND

	Tighten Fastener Apretar elemento de fijación Befestigungsteil festziehen Apertar fixador Serrare il fissaggio Bevestiging vastdraaien Serrez les fixations		Pencil Mark Marcar con lápiz Stiftmarkierung Marcar com lápis Segno a matita Potloodmerkten Marquage au crayon
	Loosen Fastener Aflojar elemento de fijación Befestigungsteil lösen Desapertar fixador Allentare il fissaggio Bevestiging losdraaien Desserrez les fixations		Drill Hole Perforar Bohrloch Fazer furo Praticare un foro Gat boren Percez un trou
	Phillips Screwdriver Destornillador Phillips Kreuzschlitzschraubendreher Chave de fendas Phillips Cacciavite a stella Kruiskopschroevendraaier Tournevis à pointe cruciforme		Open-Ended Wrench Llave de boca Gabelschlüssel Chave de bocas Chiave a punte aperte Steeksleutel Clé à fourche

TOOLS REQUIRED FOR INSTALLATION



PARTS



ASSEMBLY AND INSTALLATION

Installing Mounting Buttons

1. Attach four mounting buttons (D) to back of display using four M8 x 25mm button head cap screws (E). (See Figure 1)

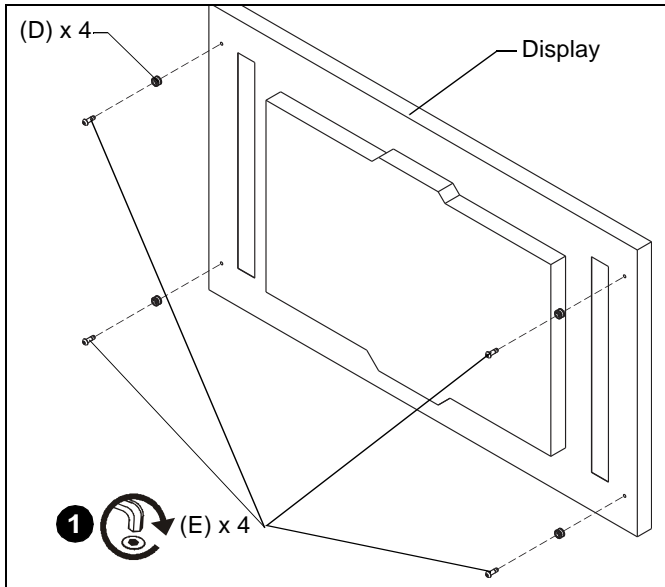


Figure 1

Attaching PSMO2085 to Wall

1. Place mounting system against wall in desired installation location.
2. Level and adjust PSMO2085 making certain slots at upper and lower edges are properly positioned over studs for either a 16" on-center wood studs installation (landscape or portrait) or a 24" on-center wood stud installation (landscape only). (See Figure 2)

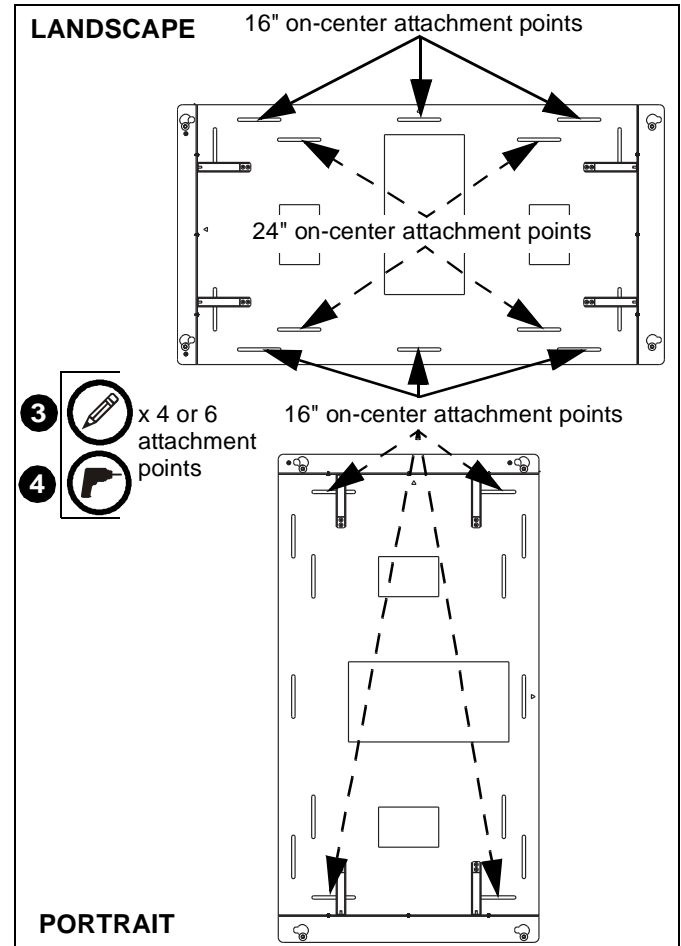


Figure 2

3. Mark the location of four or six mounting holes onto wall. (See Figure 2)

Table 1: Fastener Information

WALL TYPE	PILOT HOLE	FASTENERS (see PARTS drawing)
Wood stud (2" x 4")	7/32" x 3"	5/16 x 3-1/2" hex head lag (G) & 5/16" washer (F). Fasteners placed at stud locations, min. 16" (400mm) and max. 24" (610mm).
Concrete	3/8" x 3-1/2"	5/16 x 3-1/2" hex head lag (G) & UX10x60R anchor (not included). Fasteners placed a min. 16" (400mm) and max. 24" (610mm)

4. Drill four or six pilot holes at marked locations. (See Table 1) and (See Figure 2)
5. Proceed to either **Wood Stud** or **Concrete** section for attachment instructions.



CAUTION: IMPROPER INSTALLATION CAN LEAD TO MOUNT FALLING CAUSING SERIOUS PERSONAL INJURY OR DAMAGE TO EQUIPMENT! DO NOT over tighten hardware!

IMPORTANT ! : See Table 1 for appropriate hardware and pilot hole sizes for various wall types.

Wood Stud

1. **(Landscape installation only):** Insert PSMO2085 strut channel (B) into the wall mount (A) and place over either the 16" on-center attachment points (1A) or the 24" on-center attachment points (1B). (See Figure 3)

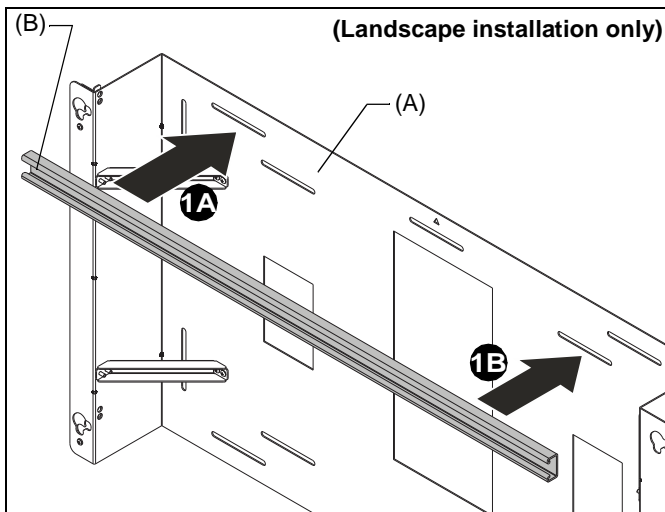


Figure 3

2. Use one 5/16" x 3-1/2" hex head lag bolt (G) through one 5/16" washer (F), the strut channel (B) [landscape installation ONLY], the PSMO2085 and into pilot hole. (See Figure 4)
3. Repeat for remaining pilot hole(s).

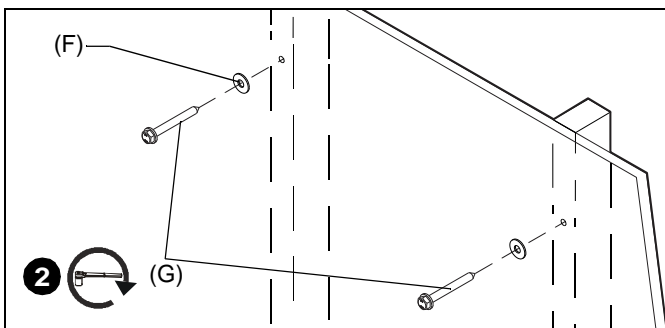


Figure 4

Concrete

1. **(Landscape installation only):** Insert PSMO2085 strut channel (B) into the wall mount (A) and place over either the 16" on-center attachment points (1A) or the 24" on-center attachment points (1B). (See Figure 3)

2. Install one Fischer UX10x60R anchor (not included) into each pilot hole using a hammer, making sure that the anchor is flush with the wall. (See Figure 5)
3. Use one 5/16" x 3-1/2" lag bolt (G) through the strut channel (B) [landscape installation ONLY], the PSMO2085 into each anchor in wall.
4. Repeat for remaining pilot hole(s).

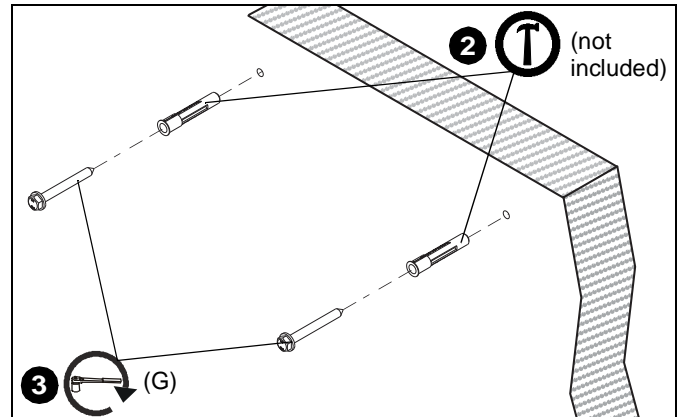


Figure 5

Display Installation



WARNING: IMPROPER INSTALLATION CAN LEAD TO MOUNT FALLING CAUSING SERIOUS PERSONAL INJURY OR DAMAGE TO EQUIPMENT! DO NOT substitute hardware.

1. Move latching flags on mount to the **OPEN** position. (See Figure 6)

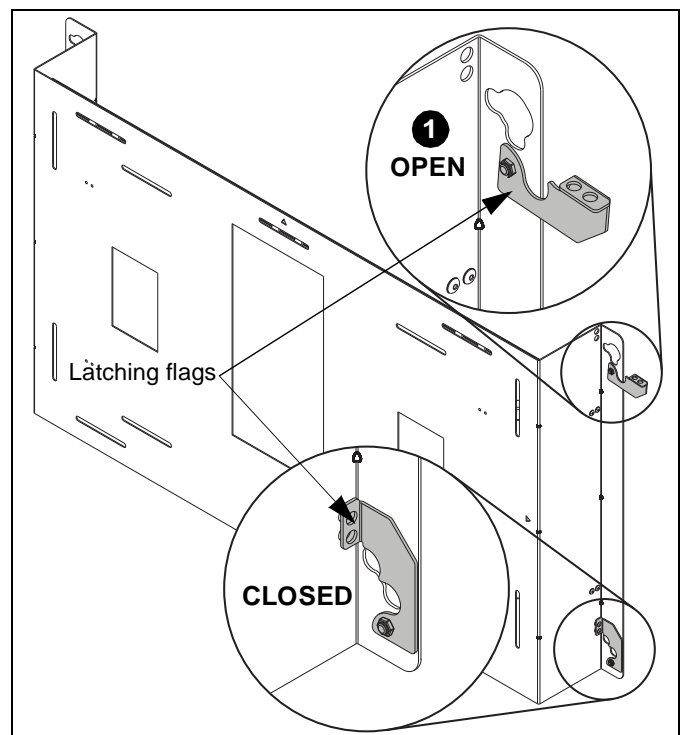


Figure 6

2. Lift display following lifting instructions provided by display manufacturer.
3. Align mounting buttons on display with teardrop mounting holes in mount. (See Figure 7)
4. Move display forward until recessed area of mounting buttons is positioned over lower area of teardrop mounting holes. (See Figure 7)
5. Lower display until recessed area of mounting buttons is seated in lower area of teardrop mounting holes. (See Figure 7)

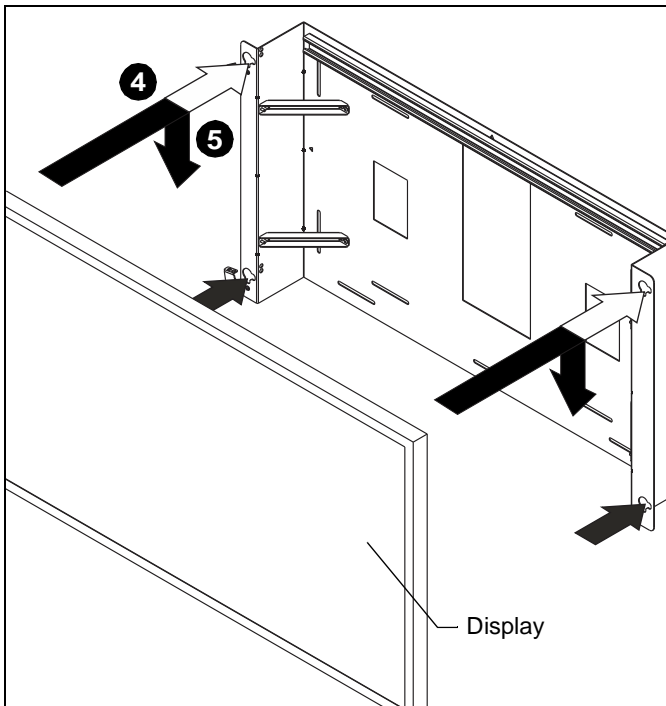


Figure 7

6. Move latching flags to **CLOSED** position. (See Figure 8)
7. **OPTIONAL:** Lock latching flags in place, if desired. (See Figure 8)

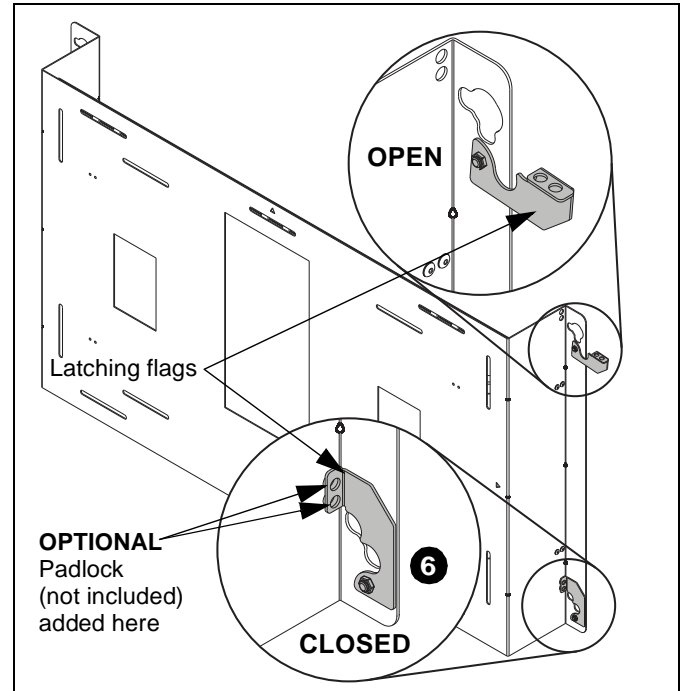


Figure 8

8. Route wires and cables to display.



Our Mounts. **Your Vision.**

Chief, a products division of
Milestone AV Technologies

8800-003002 Rev00
©2018 Milestone AV Technologies
www.milestone.com
03/18

USA/International	A 6436 City West Parkway, Eden Prairie, MN 55344 P 800.582.6480 / 952.225.6000 F 877.894.6918 / 952.894.6918
Europe	A Franklinstraat 14, 6003 DK Weert, Netherlands P +31 (0) 495 580 852 F +31 (0) 495 580 845
Asia Pacific	A Office No. 918 on 9/F, Shatin Galleria 18-24 Shan Mei Street Fotan, Shatin, Hong Kong P 852 2145 4099 F 852 2145 4477

