

PSTK-600
PSTK-1200
PSTK-1600

Short Throw Projector Mounts

For projectors up to 25lb (11kg)

The PSTK series short throw projector kit is easily adjustable to accommodate ultra-short and short throw projector distance requirements. The dual stud wall mount provides ideal placement and alignment with both horizontal and vertical adjustment. Short Throw Projector Mount kit also includes a Peerless-AV precision gear universal projector mount, the PRGS-UNV.



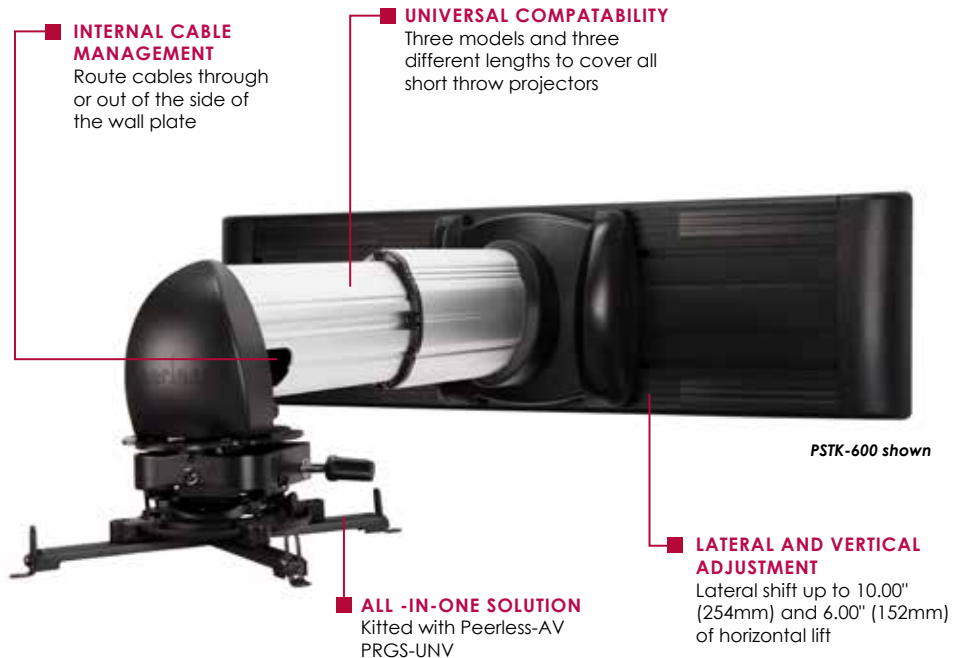
Max load: 25lb (11kg)

FEATURES

- Precision image alignment with the PRGS-UNV projector mount offering:
 - +15/-20° Tilt
 - 360° Swivel
 - ±5° of Roll
- Variable extension options:
 - PSTK-600: 18.04"-24.93" (458-633mm)
 - PSTK-1200: 31.03"-48.55" (788-1233mm)
 - PSTK-1600: 46.78"-64.31" (1188-1633mm)
- Aluminum alloy telescoping arm with lock down slot
- Lateral shift up to 10.00" (254mm) and 6.00" (152mm) of horizontal lift
- Fully integrated cable management system to route cables through or out of the sides of the wall plate to conceal and protects cables for a clean finish



Use Short Throw Distance Calculator @ projectorcalculator.peerless-av.com



Cable Management

Touchboards

205 Westwood Ave, Long Branch, NJ 07740
Phone: 866-94 BOARDS (26273) / (732)-222-1511
Fax: (732)-222-7088 | E-mail: sales@touchboards.com



peerless-AV®

Model Numbers

PSTK-600	Short Throw Projector Mount with arm length up to 24.93" (600mm)
PSTK-1200	Short Throw Projector Mount with arm length up to 48.55" (1200mm)
PSTK-1600	Short Throw Projector Mount with arm length up to 64.31" (1600mm)

Product Specifications

	DIMENSIONS (W x H x D)	PRODUCT WEIGHT	LOAD CAPACITY	FINISH	AVAILABLE COLORS
PSTK-600	32.00" x 9.99"-10.99" x 19.42"-26.31" (813 x 254-279 x 493-668mm)	8.5lb (3.8kg)	25lb (11kg)	Aluminum alloy, powder coat	Silver and Black
PSTK-1200	32.00" x 9.99"-10.99" x 32.41"-49.91" (813 x 254-279 x 823-1268mm)	12.5lb (5.6kg)			
PSTK-1600	32.00" x 9.99"-10.99" x 48.16"-65.68" (813 x 254-279 x 1223-1668mm)	15.5lb (7.0kg)			

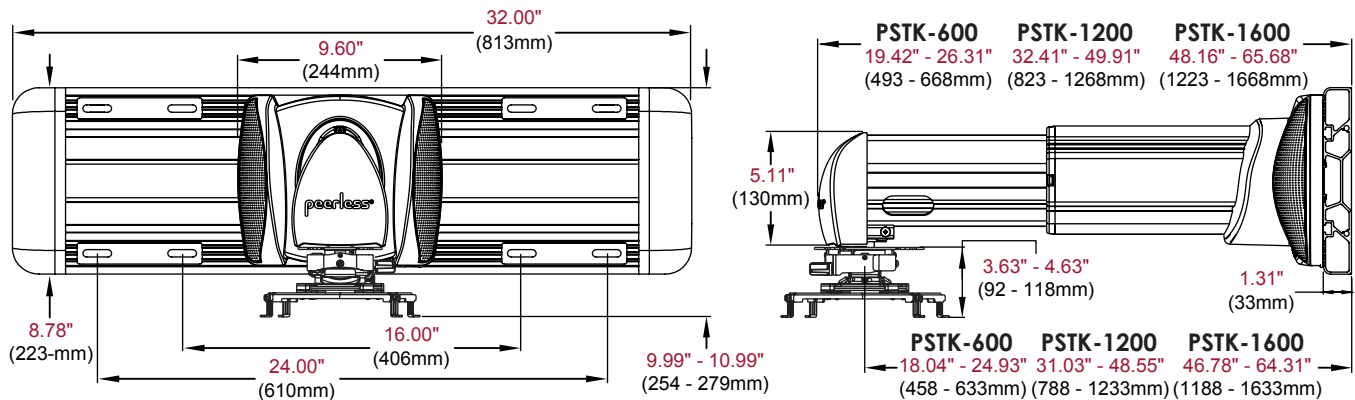
Package Specifications

	PACKAGE SIZE (L x W x H)	PACKAGE SHIP WEIGHT	PACKAGE UPC CODE	PACKAGE CONTENTS	UNITS IN PACKAGE
PSTK-600	28.7" x 10.2" x 11.0" (728 x 259 x 279mm)	10.5lb (4.7kg)	735029293279	Short throw arm, end cap, PRGS-UNV, wall plate, installation hardware, assembly instructions	1
PSTK-1200	32.0" x 10.2" x 11.0" (825 x 259 x 279mm)	14.5lb (6.5kg)	735029293286		
PSTK-1600	40.5" x 10.2" x 11.0" (1029 x 259 x 279mm)	17.5lb (7.9kg)	735029293293		

Accessories

ACC020:	Projector Security Cable
ACC215/415/615:	Metal Stud Fastener Kit
IBA Models:	In-Wall Boxes

All dimensions = inch (mm)



ARCHITECTS SPECIFICATIONS

The Short Throw Projector Mount shall be a Peerless-AV model PSTK-600, PSTK-1200, PSTK-1600 and shall be located where indicated on the plans. Assembly and installation shall be done according to instructions provided by the manufacturer.