



More information on the website
radwag.com/en/info,w1,B5C

PSW Professional Single Weighing Workstation



Datasheet

Physical parameters	
Delivery components	table do wzorcowania, table antywibracyjny, zlew na zużytą ciecz, zbiornik na zużytą ciecz, pompka do odsysania cieczy, podłokietniki
Packaging dimensions	820×1160×890 mm
Net weight	150 kg (table 110 + stone 40)
Gross weight	182 kg
Length	1100 mm
Width	750 mm
Height	1100 mm
Number of workstations	1

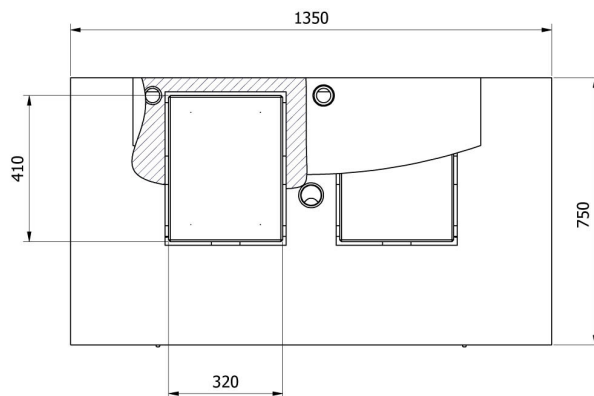
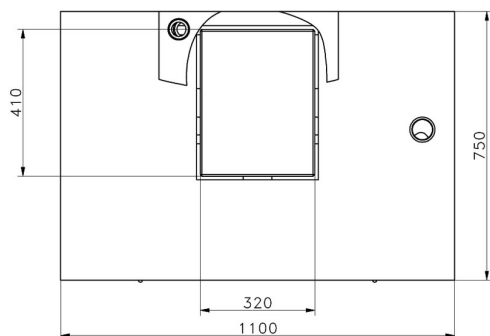
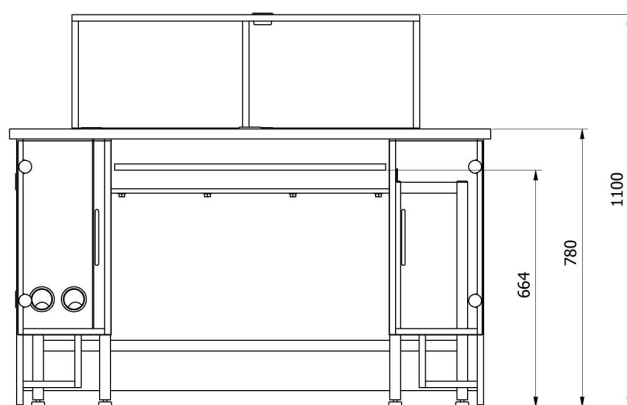
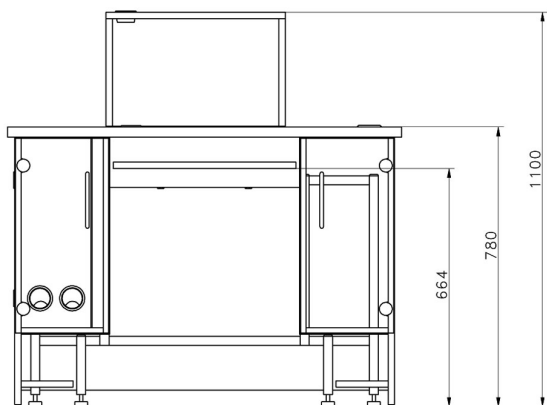


Compatible with

MAS1 Modules
 XA 5.M.A.P Microbalance
 Microbalance for Pipette Calibration MYA 5Y.P
 Microbalance for Filters MYA 5Y.F
 AS X2 PLUS Analytical Balance
 XA 5.M Microbalance
 MPS Modules
 MAS Modules
 XA 5Y Analytical Balance

UYA 5Y Ultra-Microbalance
 MYA 5Y Microbalance
 AS R2 PLUS Analytical Balance
 UYA.4Y.KO Manual Mass Comparator
 AS R1 PLUS Analytical Balances
 Ultra-Microbalance for Filters UYA 5Y.F
 XA 5Y.M.S Microbalance
 AS X2 PLUS Analytical Balances

Device dimensions



—SDKP

—SDKP DUAL



More information on the website
radwag.com/en/info,w1,W3Y

PSW/DUAL Professional Dual Weighing Workstation



Datasheet

Physical parameters	
Delivery components	table do wzorcowania, table antywibracyjny x2, zlew na zużytą ciecz, zbiornik na zużytą ciecz, pompka do odsysania cieczy, podłokietniki
Packaging dimensions	820x1410x1000 mm
Net weight	220 kg (table 140 + stone 80)
Gross weight	252 kg
Length	1350 mm
Width	750 mm
Height	1100 mm
Number of workstations	2

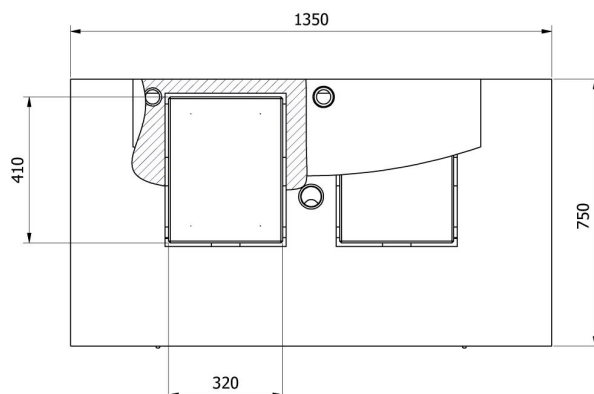
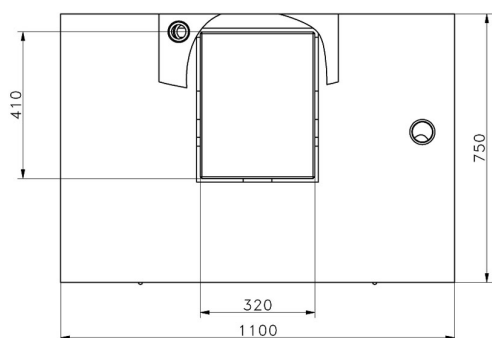
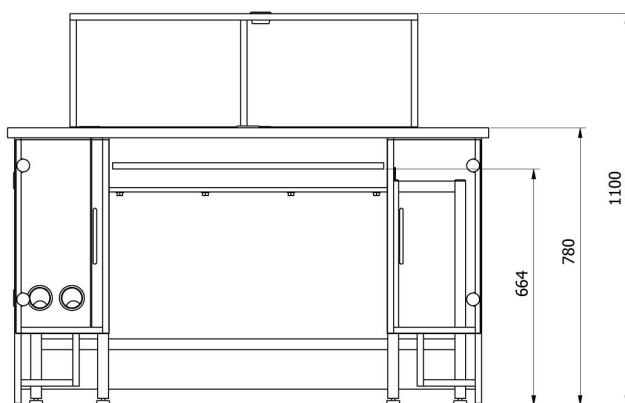
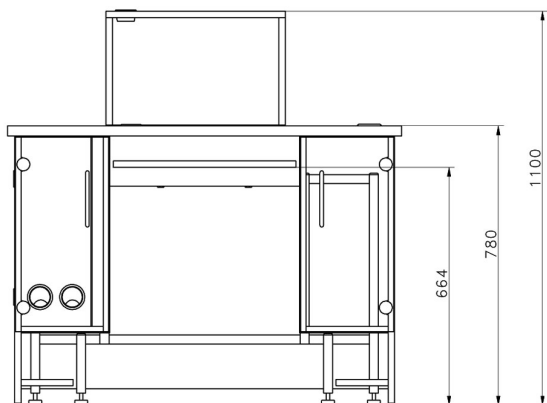


Compatible with

MAS1 Modules
 XA 5.M.A.P Microbalance
 Microbalance for Pipette Calibration MYA 5Y.P
 Microbalance for Filters MYA 5Y.F
 AS X2 PLUS Analytical Balance
 XA 5.M Microbalance
 MPS Modules

MAS Modules
 MYA 5Y Microbalance
 AS R2 PLUS Analytical Balance
 UYA.4Y.KO Manual Mass Comparator
 AS R1 PLUS Analytical Balances
 XA 5Y.M.S Microbalance
 AS X2 PLUS Analytical Balances

Device dimensions



—SDKP

—SDKP DUAL