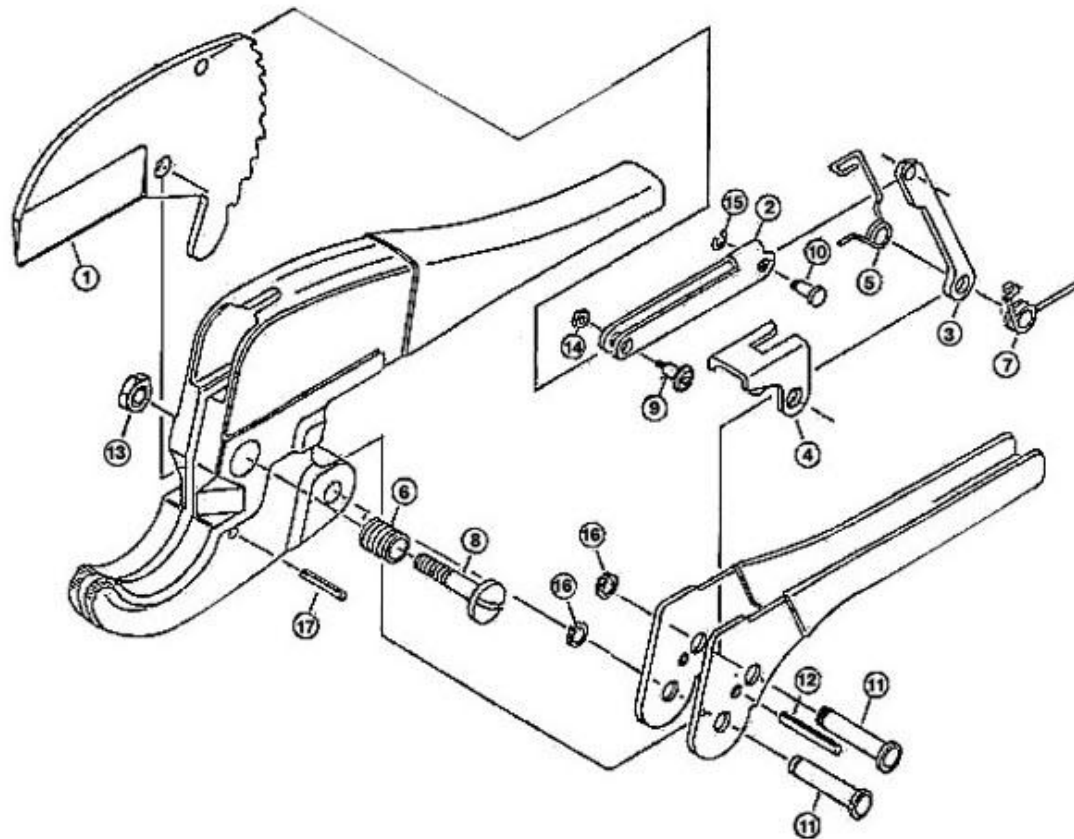


PVC CUTTER 50500 PARTS BREAKOUT



Illus. No.	Cat. No.	Description
1	50503	Cutter Blade
2	505041	Connecting Rod 1
3	505042	Connecting Rod 2
4	50505	Ratchet Dog
5	50511	Handle Spring
6	50511	Coil Spring
7	50511	Ratchet Kick Spring
8	50509	Cutter Screw
9	50510	Pin 4 x 7.5 mm

Illus. No.	Cat. No.	Description
10	50519	Pin 4 x 8 mm
11	50508	Pin 6 x 24 mm
12	50513	Pin 4 x 24 mm
13	50514	Nut M6
14	50515	Nut M3
15	50516	E-Type Ring 2.5 mm
16	50517	C-Type Ring 6.0 mm
17	50518	Pin 2.5 x 16 mm