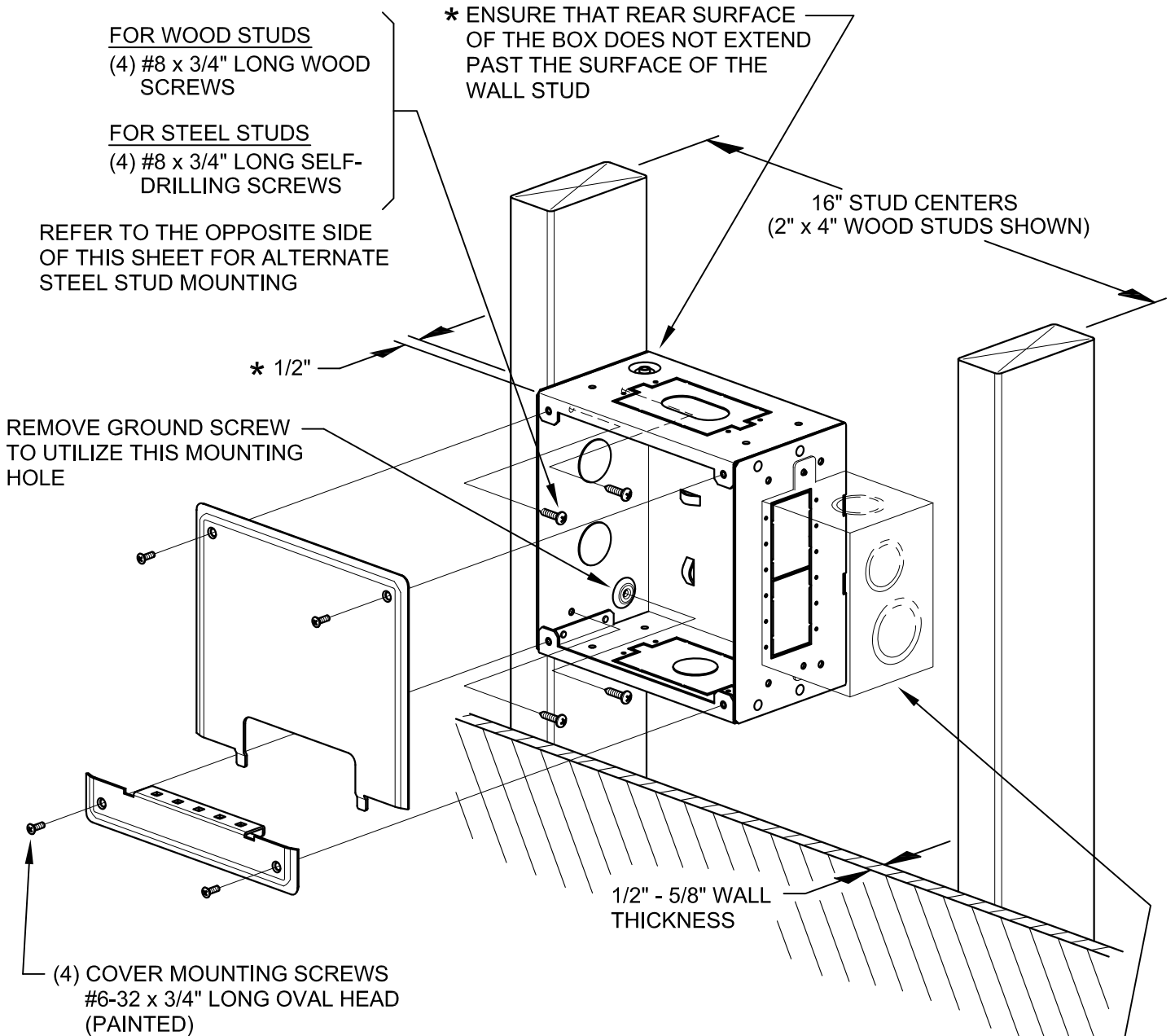


FOR MOUNTING BOX AGAINST WOOD OR STEEL STUDS

WALL OPENING: 7-1/4" X 7-1/4"

NOTE: BOX CAN BE ORIENTED IN ANY OF (4) POSITIONS  
 DEPENDING UPON ACCESSORY LOCATION



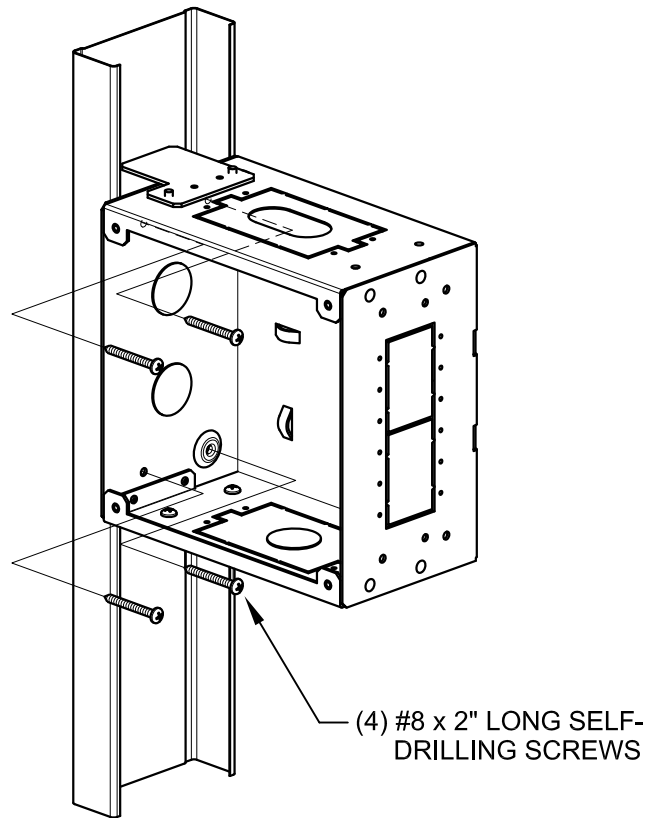
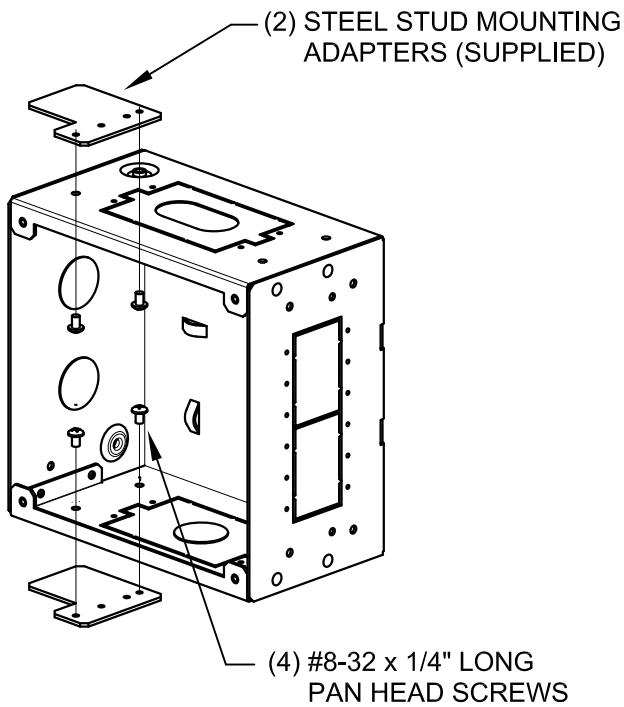
OPTIONAL LOW-VOLTAGE CONDUIT ENTRY-BOX (MUST BE MOUNTED ON BOX BEFORE ENCLOSING IN WALL)



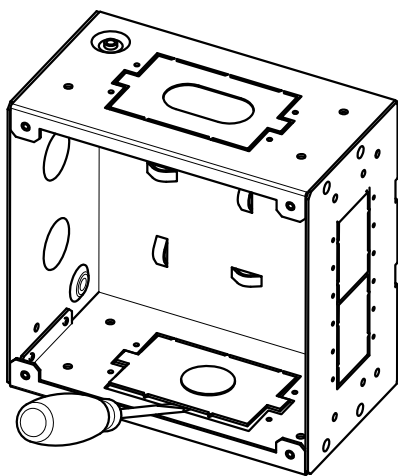
205 Westwood Ave, Long Branch, NJ 07740  
 Phone: 866-94 BOARDS (26273) / (732)-222-1511  
 Fax: (732)-222-7088 | E-mail: sales@touchboards.com

## FOR MOUNTING TO OPEN SIDE OF STEEL STUDS

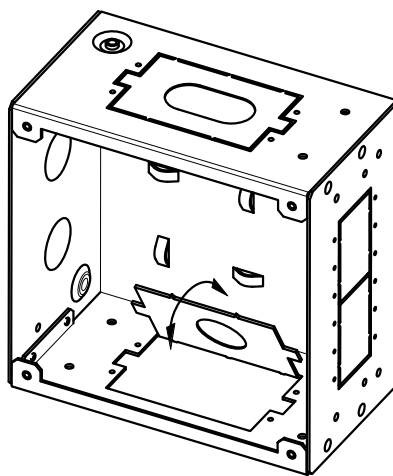
TYPICAL FOR ALL ORIENTATIONS



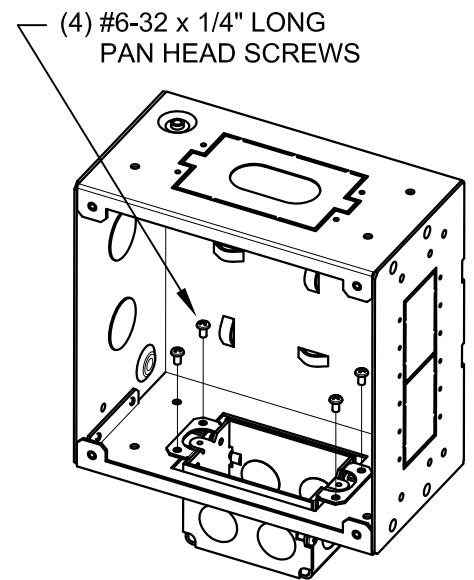
## AC OUTLET BOX BREAKOUT



1  
USE A SCREWDRIVER TO BREAK  
TABS ON BREAKOUT NEAREST  
BOX OPENING



2  
ROTATE BACK AND FORTH  
UNTIL REMAINING TABS BREAK,  
THEN DISCARD



3  
INSTALL SWITCH-BOX FROM  
THE INSIDE OF WALL BOX  
WITH THE SUPPLIED SCREWS