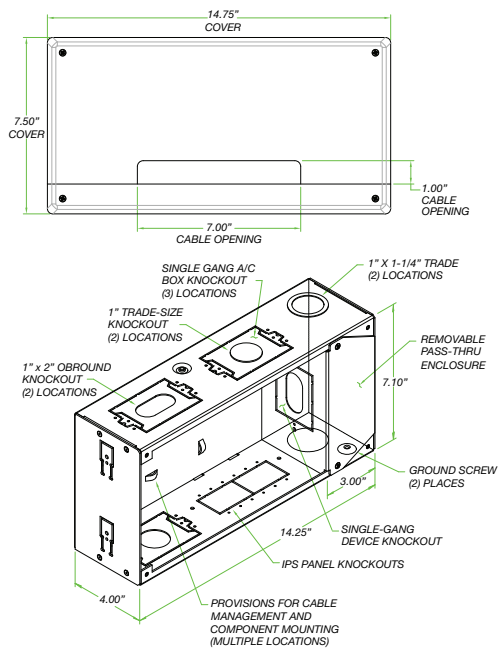


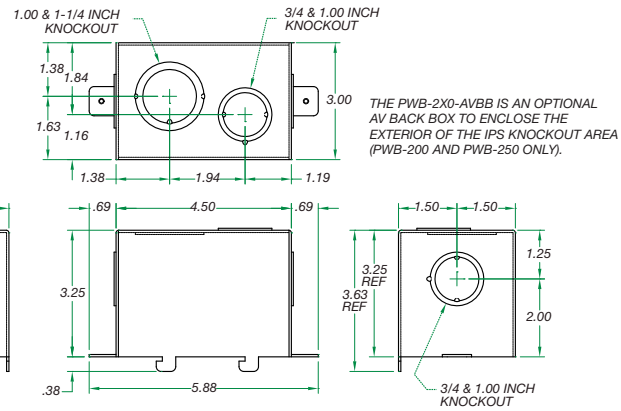
PWB-250 SERIES DIMENSIONS

PWB-250



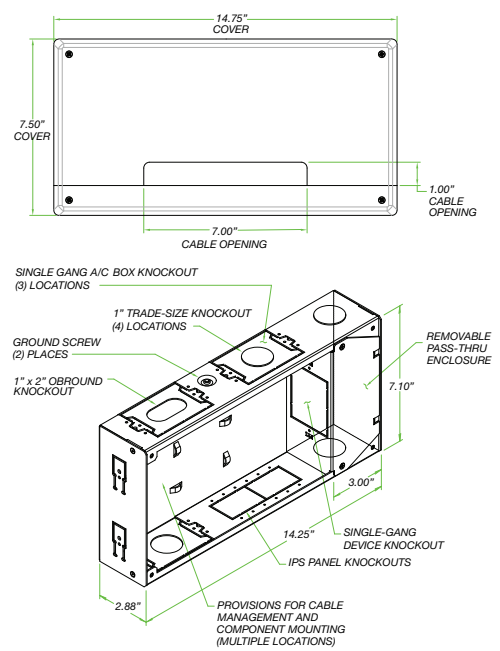
NOTES:
 1. WALLBOX CHASSIS MATERIAL 16 GA. GALVANIZED STEEL.
 2. COVER MATERIAL .062" THK ALUMINUM, PAINTED.
 3. STANDARD EQUIPMENT INCLUDED: MOUNTING HARDWARE FOR WOOD AND STEEL STUDS, (1) JUNCTION BOX, (2) GROMMETS FOR OBROUND KNOCKOUTS.

PWB-2X0-AVBB



THE PWB-2X0-AVBB IS AN OPTIONAL AV BACK BOX TO ENCLOSE THE EXTERIOR OF THE IPS KNOCKOUT AREA (PWB-200 AND PWB-250 ONLY).

PWB-253



NOTES:
 1. WALLBOX CHASSIS MATERIAL 16 GA. GALVANIZED STEEL.
 2. COVER MATERIAL .062" THK ALUMINUM, PAINTED.
 3. STANDARD EQUIPMENT INCLUDED: MOUNTING HARDWARE FOR WOOD AND STEEL STUDS, (1) JUNCTION BOX, (2) GROMMETS FOR OBROUND KNOCKOUTS.



205 Westwood Ave, Long Branch, NJ 07740
 Phone: 866-94 BOARDS (26273) / (732)-222-1511
 Fax: (732)-222-7088 | E-mail: sales@touchboards.com

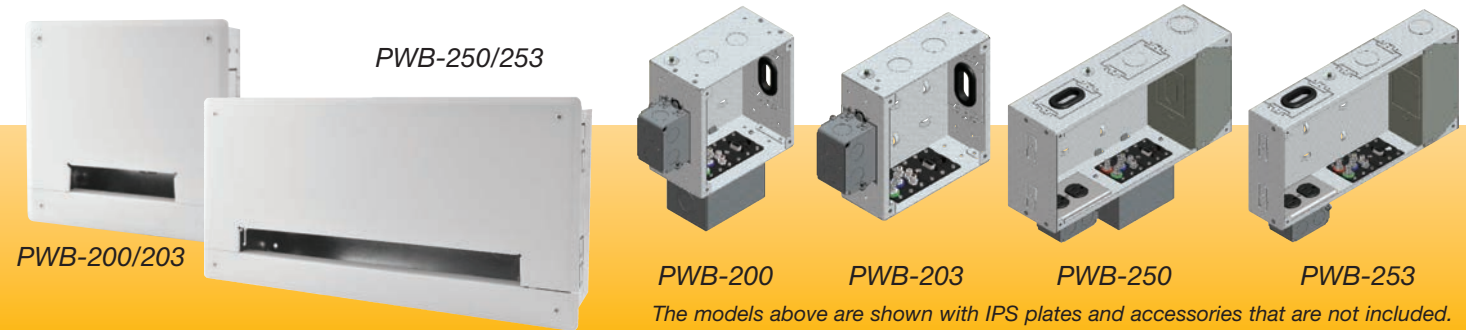


244 Bergen Boulevard, Woodland Park, NJ 07424
 Phone: 973.785.4347 · Fax: 973.785.4207
 Web: www.fsrinc.com · E-mail: sales@fsrinc.com

Specifications are subject to change without notice.



PWB-200 Series Plasma/Flat Panel Display Wall Box



The models above are shown with IPS plates and accessories that are not included.

DESCRIPTION

The PWB-200 series balance quality and cost, bringing fully featured wall boxes to you at an affordable price. We have kept the cost low while delivering the quality and ease of installation you have always experienced with FSR products.

All models are ready to install and include a two part cover with mounting screws in either black or white, back box, screws for wood or steel stud mounting, grounding screws, tie wraps, and a rubber grommet. One of the single gang knockouts has a 1"x2" oblong internal knockout and can be used with the supplied grommet.

There are four models designed to fit the individual application requirements:

The **PWB-200** is approximately 7"x7"x4" with two single gang knockouts, and one IPS knockout to mount up to six single IPS plates. The unit is designed to fit 2"x4" stud walls.

The largest and highest capacity model is the **PWB-250**. This unit is approximately 14.25"x7"x4" and has three single gang knockouts and one IPS knockout to mount up to six single IPS plates. In addition, a removable passthrough enclosure provides an additional single gang knockout and can be used to isolate cables that the installer may need to pass through the backbox.

Specifically sized for installation in 2"x3" stud walls, the **PWB-203** and **PWB-253** are 3" deep versions of the PWB-200 and PWB-250 respectively. One steel duplex cover plate (PWB-203/253) and one steel Decora cover plate (PWB-253 only) is included for convenience and to ensure proper fit in the shallow back box.

ACCESSORIES

The **PWB-2X0-AVBB** is an optional AV back box to enclose the exterior of the IPS knockout area (PWB-200 and PWB-250 only).

The **PWB-20X-MNT** is a set of bracket ears that allow the installer to position the PWB-200 or PWB-203 at different locations between the studs while mounting.

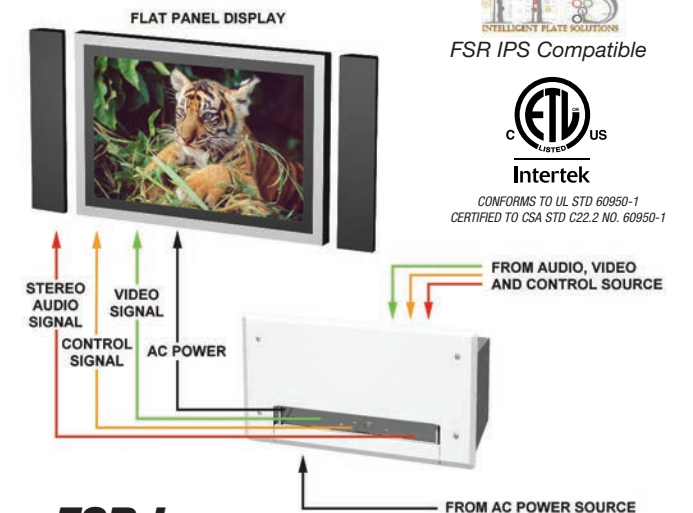
The **PWB-xxx-SLD** abandonment covers, are available in black or white. They are used in place of the finish covers to protect the units during construction or when they are used as closed utility boxes not requiring external cable access.

FEATURES

- Rugged 16 gauge steel back box with 1/16" front cover
- Compatible with FSR's Intelligent Plate Solutions (IPS) inserts
- Can be installed in new or old work (mounting adapters included)
- AC back box included
- Connectors are hidden behind an attractive cover
- Multiple knockouts in a variety of sizes
- UL listed AC back box provided

APPLICATIONS

- Anywhere a video display is wall mounted!
- Digital Signage
- Conference Centers
- Schools
- Airports
- VTC Rooms
- Electronic Billboards
- Museums
- General Meeting Facilities
- Arenas



FSR Inc.

244 Bergen Boulevard, Woodland Park, NJ 07424
 Phone: 973.785.4347 · Fax: 973.785.4207
 Web: www.fsrinc.com · E-mail: sales@fsrinc.com
 Order Desk: 1-800-332-FSR1 LIT1352B

ORDERING INFORMATION

PWB-200 Series - Standard Wall Thickness

Cover and Back Box

17246	PWB-200-WHT	PWB 200 Wall Box w/ 6 IPS and 2 AC / Gang, Standard Wall - White
17247	PWB-200-BLK	PWB 200 Wall Box w/ 6 IPS and 2 AC / Gang, Standard Wall - Black

PWB-250 Series - Standard Wall Thickness

Cover and Back Box

17254	PWB-250-WHT	PWB 250 Wall Box w/ 6 IPS, 3 AC / Gang, 2 KO - White
17255	PWB-250-BLK	PWB 250 Wall Box w/ 6 IPS, 3 AC / Gang, 2 KO - Black

PWB-203 Series - For Shallow (3" Stud) Walls

Cover and Back Box

17248	PWB-203-WHT	PWB 203 Wall Box w/ 6 IPS and 2 AC / Gang, Thin Wall - White
17249	PWB-203-BLK	PWB 203 Wall Box w/ 6 IPS and 2 AC / Gang, Thin Wall - Black

PWB-253 Series - For Shallow (3" Stud) Walls

Cover and Back Box

17439	PWB-253-WHT	PWB-253 3" Wall Box w/ 1 Duplex & Decora Cover Plate - White
17440	PWB-253-BLK	PWB-253 3" Wall Box w/ 1 Duplex & Decora Cover Plate - Black

Accessories

Cover Only for PWB-200 and PWB-203

17250	PWB-20X-WHT-C	PWB 200 Replacement Cover - White
17251	PWB-20X-BLK-C	PWB 200 Replacement Cover - Black
17252	PWB-20X-SLDWHT-C	PWB 200 Solid Abandonment Cover - White
17253	PWB-20X-SLDBLK-C	PWB 200 Solid Abandonment Cover - Black

Cover Only for PWB-250 and PWB-253

17256	PWB-250-WHT-C	PWB 250 Replacement Cover - White
17257	PWB-250-BLK-C	PWB 250 Replacement Cover - Black
17258	PWB-250-SLDWHT-C	PWB 250 Solid Abandonment Cover - White
17259	PWB-250-SLDBLK-C	PWB 250 Solid Abandonment Cover - Black
17289	PWB-250-VNTBLK-C	PWB 250 Cover w/ Additional Vent - Black
17290	PWB-250-VNTWHT-C	PWB 250 Cover w/ Additional Vent - White

PWB-200 and PWB-203 Accessories

17260	PWB-20X-MNT	PWB 200 / 203 Mounting Ears
-------	-------------	-----------------------------

PWB-200 and PWB-250 Accessories

17261	PWB-2X0-AVBB	AV Back Box for PWB-200 and PWB-250
-------	--------------	-------------------------------------



205 Westwood Ave, Long Branch, NJ 07740
 Phone: 866-94 BOARDS (26273) / (732)-222-1511
 Fax: (732)-222-7088 | E-mail: sales@touchboards.com

PWB-200 SERIES DIMENSIONS

