



Operation and Maintenance Manual for the PS-90 Soldering Iron Handpiece

Manual Number 5050-0443 Rev C



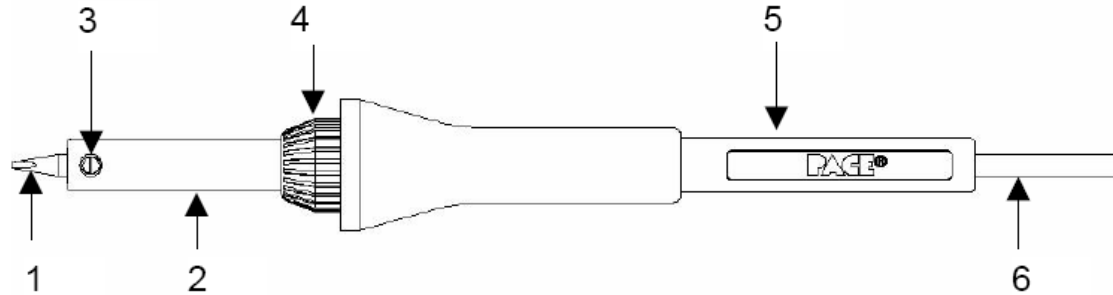
TITLE	PAGE
General Information	3
Introduction	3
Parts Identification	4
Safety	
Safety Guidelines, English Language	4
Safety Guidelines, German Language	4
Safety Guidelines, Italian Language.....	4
Safety Guidelines, Portuguese Language.....	4
Safety Guidelines, Spanish Language	4
Safety Guidelines, Swedish Language.....	5
System Set-up	
Tip & Tool Stand.....	5
Handpiece Connection	5
Heater Burn In	6
Tip Installation	6
PS-90 Heater Replacement.	6
Spare Parts	6
Service	7
Limited Warranty	7
Contact Information	8

Introduction

Thank you for purchasing the PACE model PS-90 Soldering Irons. These irons should only be used with PACE SensaTemp compatible power supplies. This manual will provide you with the information necessary to properly set-up, maintain and operate the PS-90.

Part Identification

English



Español Lenguaje

1. Tip
2. Heater Assembly
3. Heater Set Screw
4. Heater Retaining Nut
5. Handle
6. Power Cable

1. Punta
2. Conjunto calentador
3. Tornillo de fijación del calentador
4. Tuerca de retención del calentador
5. Mango
6. Cable de alimentación

Deutsche Sprache

1. Spitze
2. Heizelement
3. Stellschraube für Heizelement
4. Befestigungsmutter für Heizelement
5. Griff
6. Stromkabel

Italiana Lingua

1. Punta
2. Resistenza
3. Vite di fissaggio della resistenza
4. Dado di fissaggio della resistenza
5. Maniglia
6. Cavo rete

Portuguese Lingua

1. Ponta
2. Conjunto do Aquecedor
3. Parafuso de Ajuste do Aquecedor
4. Porca Retentora do Aquecedor
5. Cabo
6. Cabo de Alimentação

Française Langue

1. Panne
2. Assemblage de la résistance de chauffage
3. Vis sans tête de la résistance de chauffage
4. Écrou de fixation de la résistance de chauffage
5. Manche
6. Cordon d'alimentation

English Language Safety Guidelines

The following are safety precautions that personnel must understand and follow.

1. Utilize all standard electrical safety precautions when using this or any other electrical equipment.
2. Always use this handpiece (and system) in a well ventilated area.
3. Do not leave the PACE system unattended when in use.
4. Repair on this product should be performed by Qualified Service Personnel only.

Directives de Sécurité, Française Langue

Le personnel doit lire attentivement et respecter les consignes de sécurité suivantes :

1. Suivez toutes les consignes de sécurité électrique standard lors de l'utilisation de cet équipement ou de tout autre équipement électrique.
2. Utilisez toujours cet outil (et ce système) dans une zone bien ventilée.

3. Ne laissez pas le système PACE sans surveillance lorsqu'il est en marche.
4. La réparation de ce produit doit être effectuée uniquement par du personnel d'entretien qualifié.

Sicherheit Korrekturlinien, Deutsche Sprache

Die folgenden Sicherheitsvorschriften müssen vom Personal verstanden und befolgt werden.

1. Alle standardmäßigen Sicherheitsvorschriften für Elektrogeräte müssen beim Einsatz dieses Geräts oder anderer elektrischer Geräte befolgt werden.
2. Dieser HandlötKolben und das System muß immer in einem gut be- und entlüfteten Bereich eingesetzt werden.
3. Das eingeschaltete PACE System darf nicht unbeaufsichtigt gelassen werden.
4. Reparaturen an diesem Produkt dürfen nur von qualifiziertem Personal durchgeführt werden.

Misure di Sicurezza, Italiana Lingua

Le seguenti sono precauzioni di sicurezza che il personale deve intendere e alle quali si deve attenere.

1. Utilizzare tutte le norme standard di sicurezza elettrica nell'adoperare questa o qualunque altra apparecchiatura elettrica.
2. Usare sempre questa impugnatura (e l'intero apparato) in un'area ben ventilata.
3. Non lasciare l'apparato PACE incustodito quando è in uso.
4. Gli interventi di riparazione su questo prodotto devono essere eseguiti esclusivamente da Personale Tecnico Qualificato.

Guidelines de Segurança, Portuguese Lingua

Os tópicos a seguir são precauções de segurança que os operadores devem tomar conhecimento e seguir.

1. Utilize todas as precauções padrões de segurança em eletricidade quando estiver usando este ou qualquer outro equipamento elétrico.
2. Use sempre este soldador (e sistema) em área bem ventilada.
3. Não deixe de tomar cuidado com o sistema PACE enquanto este estiver em uso.
4. As reparações deste produto devem ser realizadas somente por Pessoal Técnico Qualificado.

Guías de Consulta de Seguridad, Español Lenguaje

Estas son las precauciones de seguridad que el personal debe comprender y seguir.

1. Utilice todas las precauciones habituales cuando se trabaja con electricidad al utilizar este o cualquier otro equipo eléctrico. habituales cuando se trabaja con electricidad al utilizar este o cualquier otro equipo eléctrico.
2. Utilice siempre este aparato (y sistema) en un área bien ventilada.
3. No deje el sistema PACE sin vigilancia cuando esté en uso.
4. Las reparaciones de este producto deben realizarse solamente por personal de mantenimiento adecuadamente calificado.

Säkerhetsföreskrifter, Svenska

Följande säkerhetsföreskrifter måste förstås och följas av personal som använder eller utför service på PACE produkter.

1. **RISK FÖR STRÖMSTÖT** - Service / Reparation av PACE produkter får endast utföras av aktöriserad service personal. Strömförande delar kan kommas åt när produkten är isärplockad. Iakttag akksamhet när felsökning görs för att undvika strömstötar.
2. För att undvika personskada rekommenderas att OSHA eller andra liknande arbetssäkerhets standarder följs.
3. SensaTemp verktygselement och installerade spetsar är heta när strömmen är påslagen och en tid efter att strömmen slagits av. **RÖR EJ** element eller spets. Risk för brännskador!
4. PACE Spets och Verktygshållare är speciellt utformade för att passa PACE respektive verktyg så att risken för brännskador kan undvikas. När verktyget ej används bör det alltid förvaras i sin hållare.
5. Tillse att ventilationen är god där PACE System används. Ett lödröksugsug system som t.ex. PACE tillhandahåller rekommenderas för att skydda användaren för giftig lödrök.

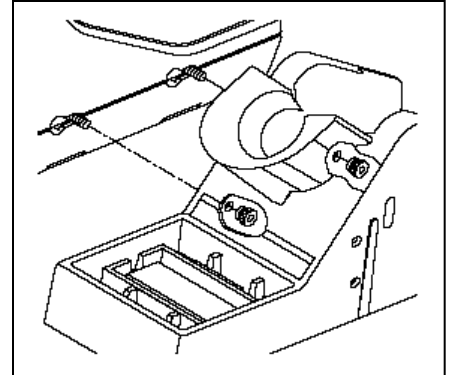
6. Tillse att gällande säkerhetsföreskrifter följs vid användning av kemikalier, t.ex. lodpasta. Se säkerhetsdatabladerna som medföljer kemikalierna och följ de rekommenderade säkerhetsföreskrifterna från respektive tillverkare.

Set-Up

Tip & Tool Stand

The Tip & Tool Stand can be mounted to the power source. If the system will be placed on the workbench, this is recommended. If the power source is to be mounted under the workbench or shelf, the Tip & Tool Stand should not be mounted to the power source.

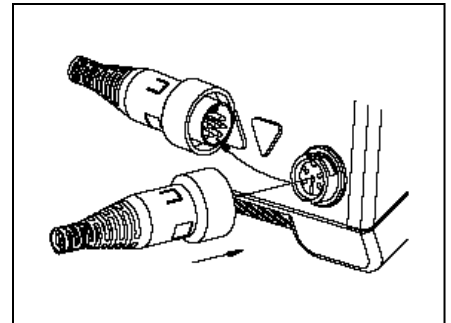
1. To attach the stand to the power source:
 - a) Insert the 2 Mounting Screws (head first) into the power source mounting slots (plastic case shown). Slide the screws toward the rear of power source.
 - b) Place the Tip & Tool Stand beside the power source. Insert ends of the 2 Mounting Screws into the 2 Tip & Tool Stand mounting holes shown.
 - c) Install a Thumb Nut onto the end of each Mounting Screw and tighten Thumb Nuts.
2. Place the handpiece into its Tip & Tool Stand.



Handpiece Connection

Connect the handpiece connector plug into the Power Receptacle in the following manner.

1. Align guide on connector with slot on power receptacle.
2. Insert connector into power receptacle.
3. Turn the connector housing clockwise to lock in place.



Burn In Procedure

The following Burn In procedure must be performed to insure optimum performance and life of this product:

1. Insure that system is located in a well-ventilated area on Initial power up.
2. Remove plastic cap from end of Heater Assembly (If present).
3. Connect Handpiece to PACE system Power Source.
4. Set Handpiece Tip temperature to 316°C (600°F). Burn Handpiece in for 10 minutes at this temperature.
5. Set Handpiece Tip Temperature to 427°C (800°F). Heater Assembly will again emit smoke. Burn Handpiece in at this temperature until emission of smoke ceases. Approximately 15 minutes.
6. Operate Handpiece in a normal manner.

PS-90 Tip Installation

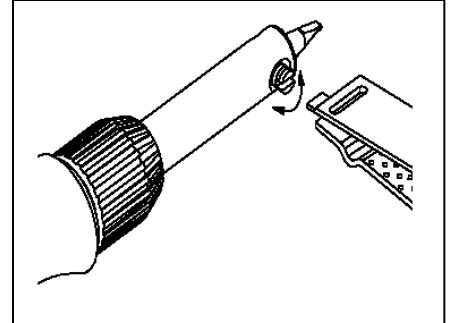
For maximum productivity and proper fit, install tips into your soldering iron when the heater is hot

CAUTION: To avoid burns or potential injury, always hold the handpiece with the heater pointed at an angle up to prevent injury.

1. Insert the Tip fully into heater bore using the supplied Tip Tool.
2. Gently tighten the heater Set Screw.
3. Recheck the tip Set Screw periodically to insure that it remains snug.

NOTE

Periodically, clean the heater bore with a properly sized wire brush (3/16" O.D. to insure optimum heat transfer and proper tip grounding when.



PS-90 Heater Replacement

If replacement becomes necessary, perform the following procedure to ensure optimum performance and maximize the life expectancy of the heater.

1. Allow the heater to cool.
2. Remove the Heater Retaining Nut.
3. Pull the Heater Assembly from the Handle. Discard defective Heater Assembly.
4. Align the connector key on the handle end of the replacement Heater Assembly with the keyway slot on the handle.
5. Push the Heater Assembly fully into the handle.
6. Replace the Heater Retaining Nut and tighten by hand.

Spare Parts

Item #	Description	PACE Part Number
1	PS-90 Flat Ring	1500-0076-P5
2	PS-90 Heater Assembly (also fits PS-80)	6010-0095-P1
3	PS-90 Flared Ring	1500-0074-P5
4	Retaining Nut for PS-70/PS-90	1410-0122-P5
5	Heater Set Screws	1348-0547-P10

Service

Please contact PACE or your local distributor for service and repair.

PACE WORLDWIDE LIMITED WARRANTY STATEMENT

Limited Warranty

Seller warrants to the first user that products manufactured by it and supplied hereunder are free of defects in materials and workmanship for a period of one (1) year. from the date of receipt by such user. This Warranty as applied to blowers, motor pumps, x-ray tubes, lenses, optical/lighting probes and cameras is limited to a period of one (1) year. Monitors, computers and other brand equipment supplied but not manufactured by PACE are covered under their respective manufacturer's warranty in lieu of this Warranty. This warranty does not cover wear and tear under normal use, repair or replacement required as a result of misuse, improper application, mishandling or improper storage. Consumable items such as tips, heaters, filters, etc. which wear out under normal use are excluded. Failure to perform recommended routine

maintenance, alterations or repairs made other than in accordance with Seller's directions, or removal or alteration of identification markings in any way will void this warranty. This warranty is available only to the first user, but the exclusions and limitations herein apply to all persons and entities.

SELLER MAKES NO OTHER WARRANTY, EXPRESS OR IMPLIED, AND MAKES NO WARRANTY OF MERCHANTABILITY OR FITNESS FOR A PARTICULAR PURPOSE.

Seller will, at its option, repair or replace any defective products at its facility or other location approved by it at no charge to user, or provide parts without charge for installation by the user in the field at user's expense and risk. User will be responsible for all costs of shipping equipment to Seller or other location for warranty service.

EXCEPT FOR THE REMEDY ABOVE DESCRIBED, UNLESS OTHERWISE REQUIRED BY APPLICABLE LAW, SELLER WILL HAVE NO OTHER OBLIGATION WITH REGARD TO ANY BREACH OF WARRANTY OR OTHER CLAIM WITH RESPECT TO THE PRODUCTS, OR LIABILITY FOR ANY DIRECT, INDIRECT, CONSEQUENTIAL, OR INCIDENTAL LOSS OR DAMAGE CAUSED BY OR OCCURRING IN CONNECTION WITH ANY OF THE PRODUCTS.

Warranty service may be obtained by contacting the appropriate PACE Company or local Authorized PACE distributor as set forth below to determine if return of any item is required, or if repairs can be made by the user in the field. Any warranty or other claim with respect to the products must be made with sufficient evidence of purchase and date of receipt, otherwise user's rights under this warranty shall be deemed waived. PACE Incorporated retains the right to make changes to specifications contained herein at any time, without notice. Contact your local authorized PACE Distributor or PACE Incorporated to obtain the latest specifications.

The following are trademarks and/or service marks of PACE, Incorporated, North Carolina, USA:

INSTACAL™, FUMEFLO™, HEATWISE™, PACEWORLDWIDE™, PERMAGROUND™, POWERPORT™, POWERMODULE™, TEMPWISE™, TIP-BRITE™, AUTO-OFF™, TEKLINK™, AND INTELLIHEAT™, ARM-EVAC®, FLO-D-SODR®, MINIWAVE®, PACE®, SENSATEMP®, SNAP-VAC®, SODRTEK®, SODR-X-TRACTOR®, THERMOFLO®, THERMOJET®, THERMOTWEEZ®, VISIFILTER®, THERMO-DRIVE®, and TOOLNET®.

PACE products meet or exceed all applicable military and civilian EOS/ESD, temperature stability and other specifications including MIL STD 2000, ANSI/JSTD 001, IPC7711, and IPC A-610.

Additional copies of this manual or other PACE literature may be obtained from:



PACE Incorporated
255 Air Tool Drive
Southern Pines,
North Carolina, 28387
Tel: (877) 882-PACE
Tel: (910) 695-7223
Fax: (910) 695-1594

Pace Europe
11 Holdom Avenue
Bletchley, Milton Keynes,
United Kingdom, MK1 1QU
Tel: 011 44 1908 277666
Fax: 011 44 1908 277777