



**CLEANING STATION  
ASSEMBLY INSTRUCTIONS  
PACE PART NUMBER 6021-0006  
MANUAL NUMBER 5050-0285 REV. E**

**Packing Contents**

PART NUMBER	DESCRIPTION	QUANTITY
1321-0428	Stand	1
1321-0229	Sponge Dish	1
4021-0007	Sponge	7
1317-0025	Pad, Rubber	4
1317-0026	Pad, Adhesive	1
1405-0633	Screw, 6-32 x 2.75" Lg.	1
1410-0093	Thumb Nut	1

1. Check the enclosed parts with the parts list to insure that you have all the required parts. Use the following instructions and illustrations for assembly of Cleaning Station.
2. Place the Stand with the bottom side up. Remove paper backing from the four Pads and install at bottom corners of Stand as shown. Refer to Figure 1.
3. The supplied Adhesive Pad has a protective paper backing on both surfaces. Remove the backing from one surface. Place the now exposed adhesive onto the bottom center of the Sponge Dish.
4. Remove the remaining paper backing from the Adhesive Pad. Place Sponge Dish on Stand in the orientation shown. The 2 holes in the sides of the dish must be over the sides of the Stand. Refer to Figure 2
5. Place the 7 sponges in the Sponge Dish as shown with the holes in the Sponge aligned with the 2 sponge Dish holes. Refer to Figure 3.
6. Install the 6-32 x 2.75 inch Screw through the holes in the sides of the Sponge Dish and the holes in the 7 Sponges. Refer to Figure 3.
7. Secure Screw in place using Thumb Nut. Refer to Figure 3.

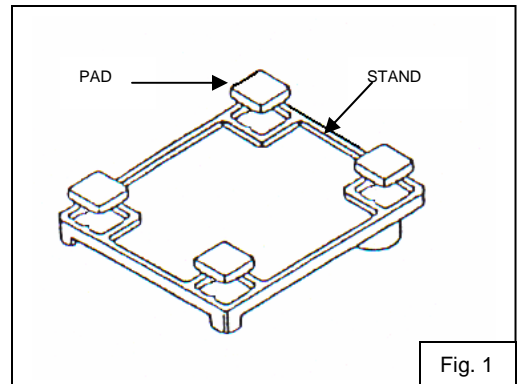


Fig. 1

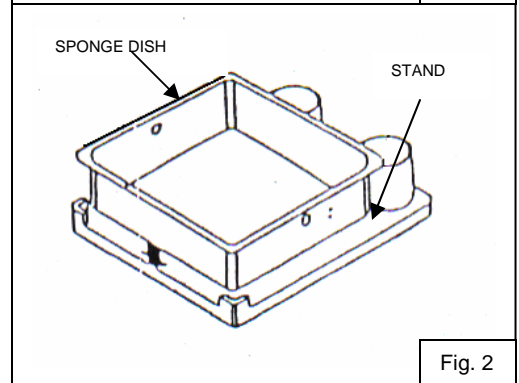


Fig. 2

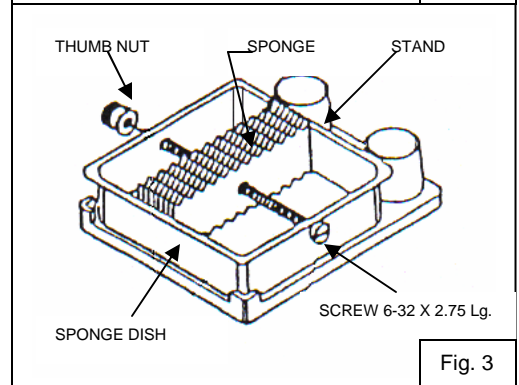


Fig. 3



**PACE Incorporated**  
9030 Junction Drive  
Annapolis Junction,  
MD 20701  
Tel: (301) 490-9860  
Fax: (301) 498-3252

**PACE Europe Limited**  
13 Tanners Drive  
Blakelands  
Milton Keynes  
Tel: (44) 1908-277666  
Fax: (44) 1908-277777