

ACC-MSF-W

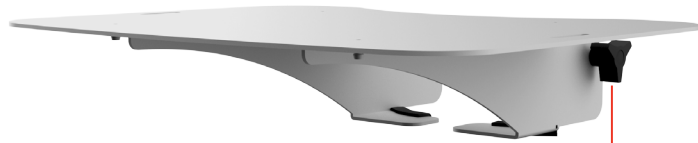


Max Load
10lb (4.5kg) per shelf

Rear Metal Shelf

FOR SR560-FLIP MOBILE CART WITH ROTATIONAL INTERFACE

The Peerless-AV® Rear Metal Shelf is designed to attach to the SR560-FLIP Mobile Cart with Rotational Interface. The shelf provides a secure yet sleek surface for laptops and various audio visual equipment/accessories to easily share content on the mounted Samsung Flip (WM55H).



TOOL-LESS HEIGHT ADJUSTMENT

Engage quick-release knob for easy adjustment

- Attaches to the rear of the cart, allowing the mounted Samsung Flip to rotate from portrait to landscape without interference
- Scratch resistant, gloss white powder coat finish
- Vertical height adjustability



For use with SR560-FLIP Mobile Cart with Rotational Interface

RoHS
COMPLIANT

info@peerless-av.com
peerless-av.com

peerless-AV[®]
Driving Technology Through Innovation

ACC-MSF-W	Rear Metal Shelf for SR560-FLIP Mobile Cart with Rotational Interface
------------------	---

Product Specifications

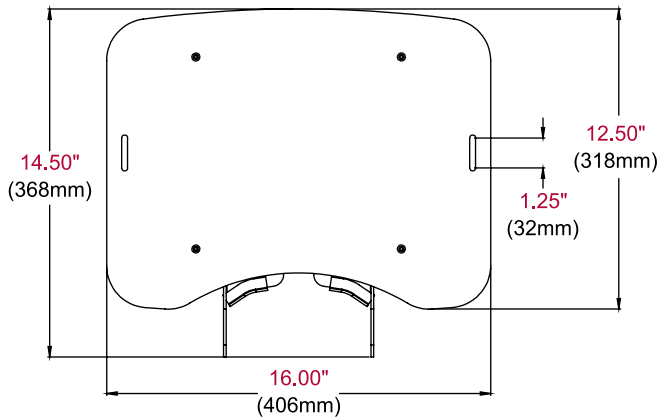
	DIMENSIONS (W x H x D)	PRODUCT WEIGHT	LOAD CAPACITY	FINISH	AVAILABLE COLORS
ACC-MSF-W	16.00" x 3.43" x 14.50" (406 x 87 x 368mm)	11.8lb (5.4kg)	10lb (4.5kg) per shelf	Gloss Powder Coat	White

Package Specifications

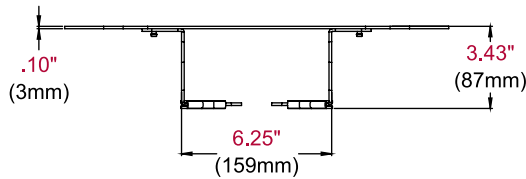
	PACKAGE SIZE (W x H x D)	PACKAGE SHIP WEIGHT	PACKAGE UPC CODE	PACKAGE CONTENTS	UNITS IN PACKAGE
ACC-MSF-W	18.50" x 24.40" x 4.40" (470 x 620 x 112mm)	14.1lb (6.4kg)	735029328599	Metal Shelf & Attachment Hardware	1

Compatible with: **SR560-FLIP:** Mobile Cart with Rotational Interface for the Samsung 55" Flip (WM55H)

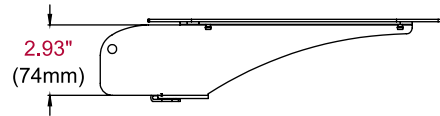
All dimensions = inch (mm)



TOP VIEW



FRONT VIEW



SIDE VIEW

Architect Specifications

The Rear Metal Shelf shall be a Peerless-AV® model ACC-MSF-W and shall be located where indicated on the plans. Assembly and installation shall be done according to instructions provided by the manufacturer.

Visit peerless-av.com to see the complete line of AV solutions from Peerless-AV, including outdoor displays, wireless, kiosks, digital audio, display mounts, projector mounts, carts/stands, and a full assortment of accessories.

Peerless-AV
2300 White Oak Circle
Aurora, IL 60502 USA
(800) 865-2112
(630) 375-5100
Fax: (800) 359-6500

Peerless-AV EMEA
Unit 3 Watford Interchange
Colonial Way, Watford
Herts, WD24 4WP
United Kingdom
+44 (0) 1923 200100
Fax: +44 (0) 1923 200101

Peerless-AV Latin America
Ave de las Industrias 413
Parque Industrial Escobedo
Escobedo, N.L.,
Mexico 66062
+52 (81) 8384-8300
Fax: +52 (81) 8384-8360

