

ACC-QRL
ACC-QRP



Quick Release Accessory

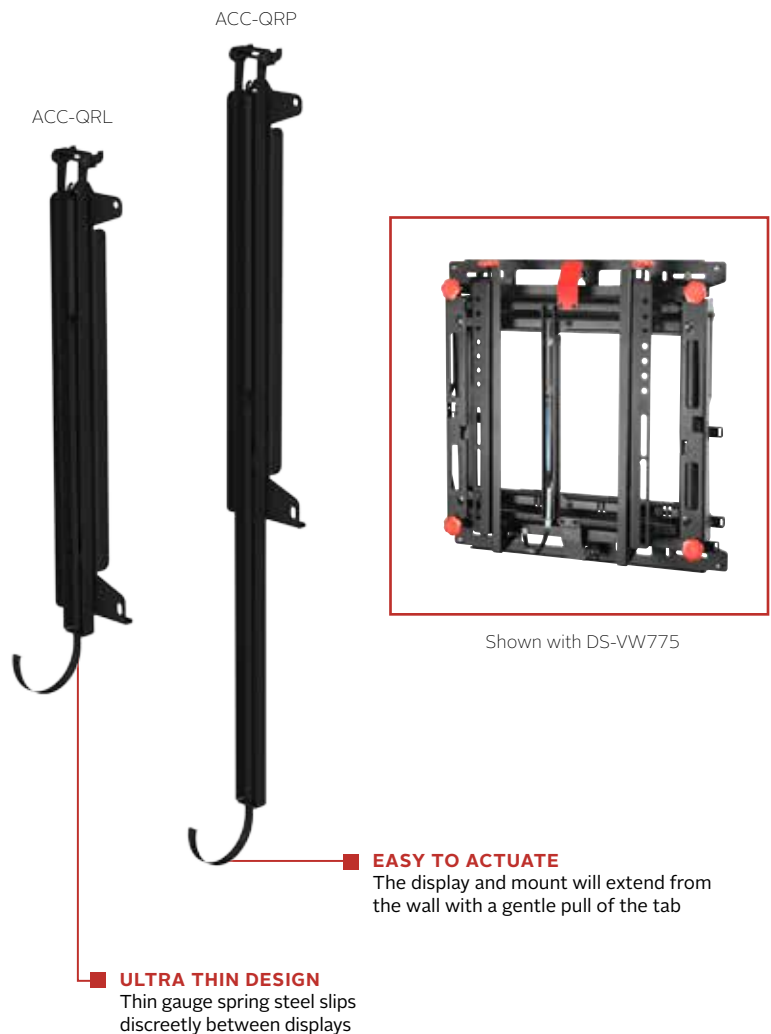
FOR SMARTMOUNT® SUPREME FULL SERVICE
VIDEO WALL MOUNT, DS-VW775

This Quick Release Accessory offers the SmartMount® Supreme Full Service Video Wall Mount even more versatility than it already has. The quick release mechanism provides access to a display in recessed video wall applications. Simply pull on the discreetly placed tab located on the display bezel and the display gently extends for service. Once the display/mount has been extended, you will have access to release the surrounding displays, allowing for quick and easy display maintenance.

Quickly and easily pop-out displays for maintenance with the Quick Release Accessory.

Additional Features

- ✓ Quick release mechanism provides display access in recessed video wall applications
- ✓ An extended display will provide access to release displays around it
- ✓ Portrait and landscape options available



RoHS

Please visit peerless-av.com/en-us/patents for patent information.

info@peerless-av.com
peerless-av.com

peerless-AV®

ACC-QRL: Quick Release Accessory - Landscape
ACC-QRP: Quick Release Accessory - Portrait

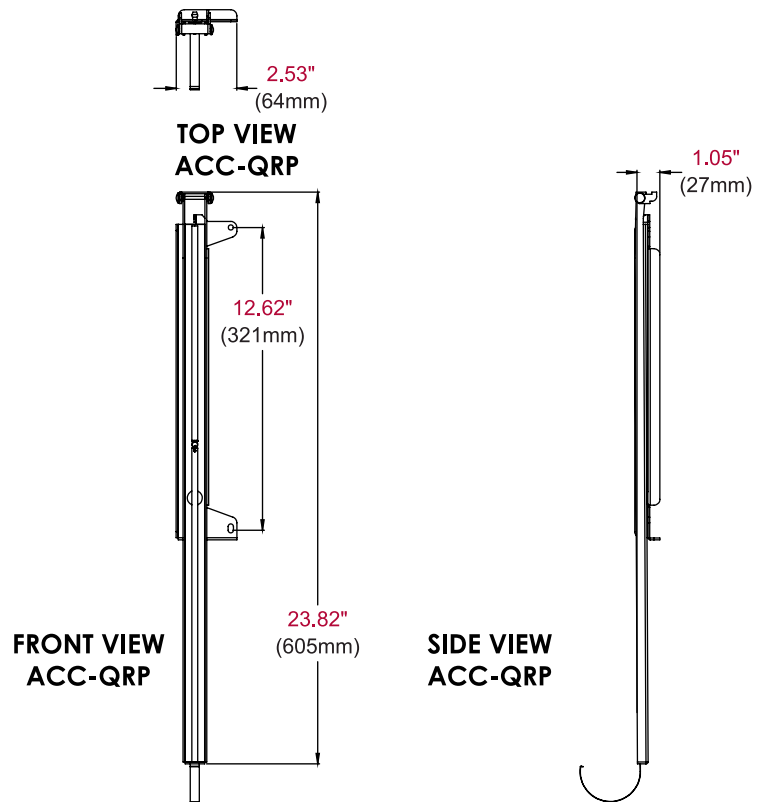
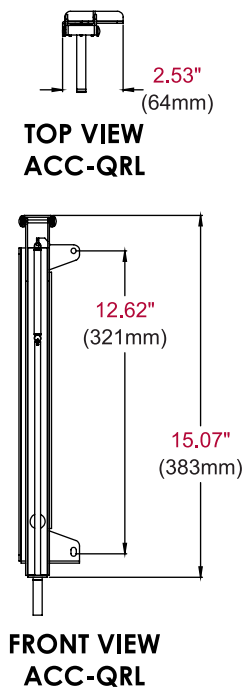
Product Specifications

	DIMENSIONS (W x H x D)	PRODUCT WEIGHT	FINISH	AVAILABLE COLORS
ACC-QRL	2.53" x 15.07" x 1.05" (64 x 383 x 27mm)	1lb (.45kg)	Powder coat, textured	Black
ACC-QRP	2.53" x 23.82" x 1.05" (64 x 605 x 27mm)	1.41lb (.64kg)		

Package Specifications

	PACKAGE SIZE (W x H x D)	PACKAGE SHIP WEIGHT	PACKAGE UPC CODE	PACKAGE CONTENTS	UNITS IN PACKAGE
ACC-QRL	25.50" x 4.25" x 4.25" (648 x 108 x 108mm)	1.7lb (.77kg)	735029311058	Quick Release accessory and mounting hardware	1
ACC-QRP	28.50" x 4.25" x 4.25" (724 x 108 x 108mm)	2.25lb (1.02kg)	735029311065		

All dimensions = inch (mm)



Architect Specifications

The Quick Release Accessory shall be a Peerless-AV model ACC-QRL or ACC-QRP and shall be located where indicated on the plans. Assembly and installation shall be done according to instructions provided by the manufacturer.

Visit peerless-av.com to see the complete line of AV solutions from Peerless-AV, including outdoor displays, wireless, kiosks, digital audio, display mounts, projector mounts, carts/stands, and a full assortment of accessories.

Peerless-AV
 2300 White Oak Circle
 Aurora, IL 60502 USA
(800) 865-2112
(630) 375-5100
Fax: (800) 359-6500

Peerless-AV Europe
 Unit 3 Watford Interchange
 Colonial Way, Watford
 Herts, WD24 4WP
 United Kingdom
+44 (0) 1923 200100
Fax: +44 (0) 1923 200101

Peerless-AV de México
 Ave de las Industrias 413
 Parque Industrial Escobedo
 Escobedo, N.L.,
 Mexico 66050
+52 (81) 8384-8300
Fax: +52 (81) 8384-8360

