



User Manual

SMALL FORM FACTOR ELECTRONICS ENCLOSURE

MODEL:

CL-ENCL68

CL-ENCL68-EUK



www.peerless-av.com

CONTENTS

General Safety Precautions	3
Relevant Information	5
System Installation And Electrical Requirements	6
Electrical Code	6
Power Source	6
Set Up Instructions	7
What's In The Box	7
Cable Entry/Exit.....	8
Installation Of Electronics.....	9
Closing the Electronics Enclosure.....	10
Mounting the Media Player Enclosure (Optional).....	11
Powering Up	12
General Care Instructions	12
Product Specifications	13
Warranty	14



205 Westwood Ave, Long Branch, NJ 07740
Phone: 866-94 BOARDS (26273) / (732)-222-1511
Fax: (732)-222-7088 | E-mail: sales@touchboards.com

GENERAL SAFETY PRECAUTIONS

Read before operating equipment

Thank you for purchasing our product. Before using it, please read this user manual carefully and follow the instructions correctly for safe operation. Please keep this manual handy for future reference. Also, please be sure to always include this user manual in the packaging when transferring or transporting this product to a different location.

CAUTION:

These servicing instructions are for use by qualified service personnel only. To reduce the risk of electric shock, do not perform any servicing other than that contained in the operating instructions unless you are qualified to do so.

1. Read these instructions.
2. Keep these instructions.
3. Heed all warnings.
4. Follow all instructions.
5. Do not defeat the safety purpose of the polarized or grounding- type plug. A polarized plug has two blades with one wider than the other. A grounding type plug has two blades and a third grounding prong. The wide blade or the third prong are provided for your safety. If the provided plug does not fit into your outlet, consult an electrician for replacement of the obsolete outlet.
6. Protect the electrical cord from being walked on or pinched particularly at plugs, convenience receptacles, and the point where they exit from the apparatus.
7. Refer all servicing to qualified service personnel. Servicing is required when the apparatus has been damaged in any way, such as electrical-supply cord or plug is damaged, does not operate normally, or has been dropped.
8. Only use attachments/accessories specified by the manufacturer.
9. In case of emergency such as fire or electric shock caused by the product, immediately contact 911 or proper emergency police/fire service agencies in your country.
10. Follow instructions for wall, shelf or ceiling mounting as recommended by the manufacturer.
11. Use properly rated electrical voltage. Use of non-rated voltage may cause fire, electric shock and severe damages to the product.
12. Do NOT, under any circumstances, modify or disassemble this product as it may cause fire, electric shock, or severe damages to the product. Also any unauthorized modifications made to the product automatically void product warranty.
13. Never touch antenna lines or wires, electrical cables or plugs when lightning or thunder is present as it may cause electric shock.
14. Any severe physical impact on the product may cause certain components to fall out of place within and break, which may cause fire or electric shock. In such event, do not operate the product. Contact the manufacturer for support.
15. Periodically clean dust off the electrical plug, to keep it clean and dry, ensuring proper and safe operation of the product.
16. Do NOT destroy, process, or place close to any heat source; do NOT bend or twist electrical cords, electrical plugs, cables, or wires with excessive force; do NOT place any heavy object on the display as all of the above may cause damage resulting in fire or electric shock.
17. Do NOT touch electrical plugs with wet hands.
18. Always make sure to plug in the electrical plug firmly and completely. Incompletely placed electrical plugs may cause fire or electric shock due to built up heat emission.
19. Do NOT use any non-rated electrical sockets or power strips with many other devices jointly plugged in. The wire of non-designated capacity may cause fire due to built up heat emission. Try to use a single, directly dedicated and rated GFCI electrical outlet for the product for safe operation.

20. In case of product malfunction or unusual events such as electrical burning smell, smoke, due to internal overheating, immediately turn off and unplug the power and contact the manufacturer.
21. Do NOT install the product at such unstable locations as moving objects, constantly vibrating props, or uneven surfaces. Improper installation may cause products to fall off. Follow mounting instructions properly for safe operation of the product.
22. Do NOT install the product near any poisonous gas or chemically unstable atmosphere as it may cause fire.
23. Do NOT install the product near any strong magnetic or electrical current field. It may cause fire, electric shock, or severe damages to the product.
24. Do NOT leave any fire source, such as candles, close to or on the product as it may be a cause for fire or damages to the product.
25. Do NOT move or transport the product with any cables (power cables, content connectivity cables) plugged in to the source devices. Damages may occur to the cables, plugs, or jointing connectors of the cables due to forcible bending and stress, which may cause damages to the waterproof seal of the product, making it subject to fire, electric shock, or shorted circuit.
26. When unplugging, always grab the plugs of power cords or cables. Improper pulling of the cords or cables may cause damages to the waterproof seal of the product, making it subject to fire, electric shock, or shorted circuit.
27. Do NOT use any other power cords or connection cables than what is provided with the product or from the manufacturer directly. Use of untested, unauthorized, or substituted power cords or connection cables may be a cause for malfunction, fire, electric shock, or severe damages to the product. Also such use of improper or undesignated power cords or connection cables will void product warranty.
28. Always leave the Power Off when plugging or unplugging the power cords or connection cables to avoid electric shock or damages to the product.
29. Do NOT use any chemical such as paint thinner or benzene to clean the product's exterior. It may cause scratches on the surface, erasing proper indications, identification labels, or instructions on the exterior, which may be a cause for misuse and improper operation of the product.

Relevant Information

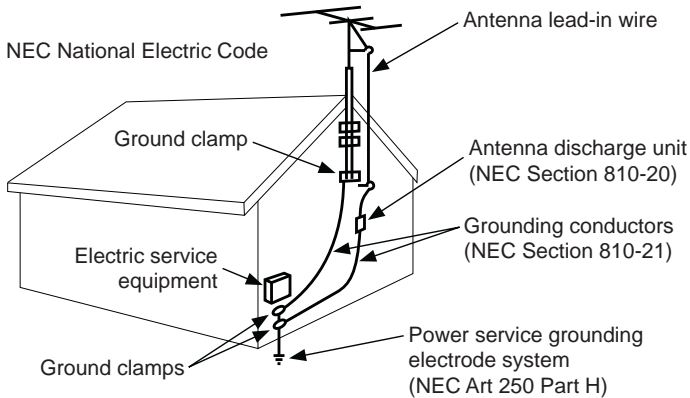
Once the Electronics Enclosure is installed, there is limited access to the electrical device inside. For future reference please record the device's serial number below.

Electronics Serial Number _____

SYSTEM INSTALLATION AND ELECTRICAL REQUIREMENTS

Electrical Code

Note: To the display system installer: This reminder is provided to call attention to Article 820-44 of the National Electric Code that provides guidelines for proper grounding and, in particular, specifies that the cable ground shall be connected to the grounding system of the facility. Outlet shall be installed near the equipment and shall be easily accessible.



Note: Installation shall incorporate UL Listed external surge protection rated 2500 Vpk or less, for 150 to 300 Vac mains, installed in accordance with Article 285 of ANSI/NFPA 70 or applicable local codes.

Power Source

The product must be connected to a main socket outlet with a protective earthing connection.

The main plug is used as the disconnect device and shall remain readily accessible.

This product operates on 100-240 volts 50/60 Hz, AC current. Insert the power cord into a 120 volts 60 Hz outlet. Never connect the product to direct current or anything other than the specified voltage.

To prevent electric shock from the product, do not use with an extension cord, receptacle, or other outlet unless the blades and ground terminal can be fully inserted to prevent blade exposure.

CAUTION: Double pole/neutral fusing (ISO 3869. No 5036)

SET UP INSTRUCTIONS

Important:

1. When routing cables through the cable entry make sure that the cables are formed in such a way as to remove any stress on the connectors.
2. Electrical installation shall be in accordance with the applicable parts of Chapter 8 of ANSI/NFPA70.

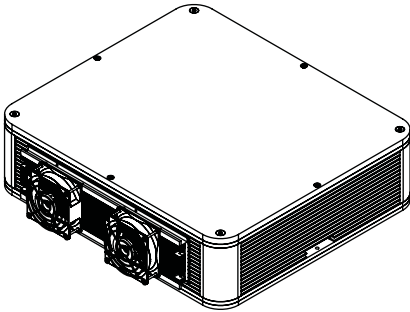
What's In The Box

Parts List

Description	Qty	Part #
A electronics enclosure	1	CL-ENCL68
B M4 x 18mm socket screw	4	SCR-0055
C dual lock 1 x 1.5"	4	600-1009
D dual lock strips 3M	4	600-1393
E 4mm allen wrench	1	560-0072
F 3/32" allen wrench	1	560-1034

A (1)

electronics enclosure



B (4)

M4 x 18mm



C (4)

dual lock 1 x 1.5"



D (4)

dual lock strips 3M



E (1)

4mm allen wrench



F (1)

3/32" allen wrench

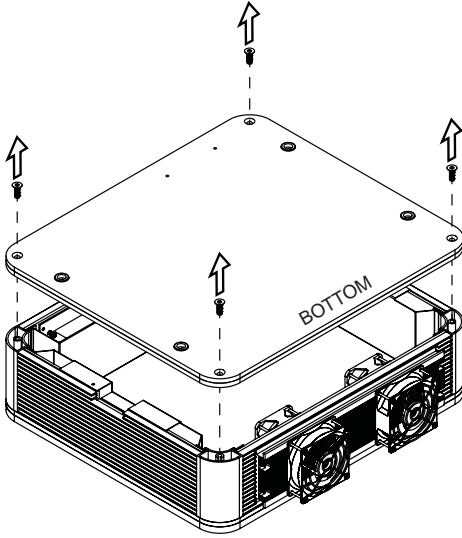


Cable Entry/Exit

Before starting the installation of any electronic devices, ensure that the Electronics Enclosure electrical cord is not plugged into electricity. Failure to do so may result in injury or death.

For reference, the Electronics Enclosure is equipped with a plastic top and aluminum base.

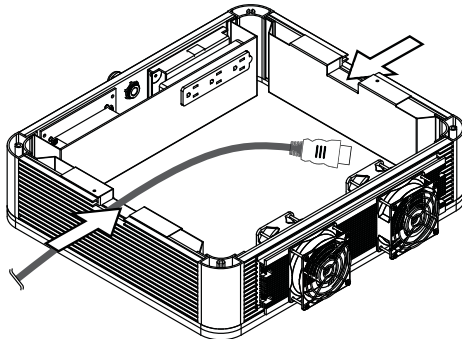
1. From the bottom of the unit, unscrew the 4 screws at each corner of the aluminum base plate and remove the plate.



2. Route the cable(s) for the electronic device through the cable entry points on the Electronics Enclosure as shown.

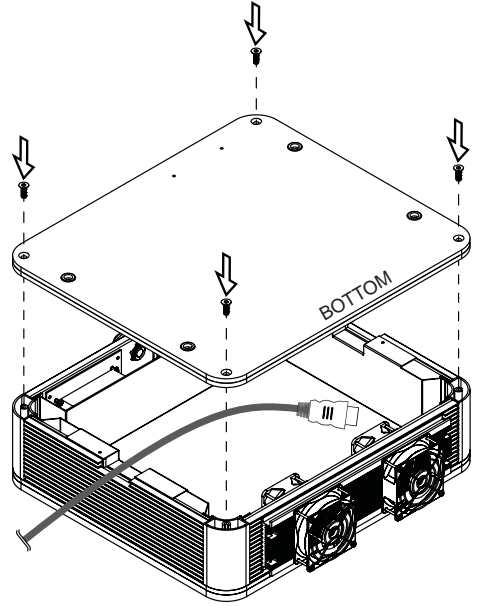
Note: It is suggested to only use one of the cable entry points.

Note: Do not run the electronic devices power cord through either of the entry points at this time. The power cord will be installed later.



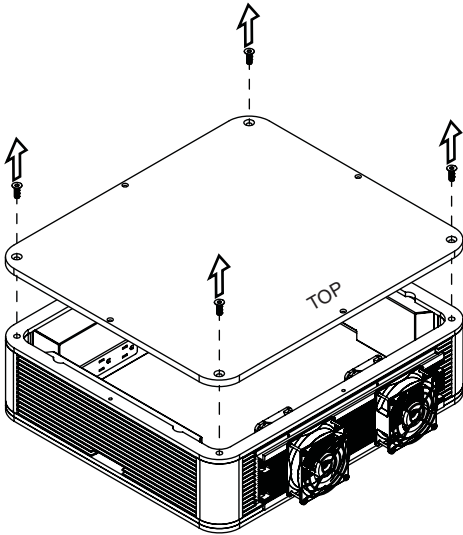
3. Realign the metal base plate on the Electronics Enclosure. Reinstall the 4 screws into the metal base plate while making sure the cables are fully sealed (Cables should be completely surrounded by the compressible foam gaskets and gasket block).

Note: Ensure that the base plate is reinstalled in the proper orientation.

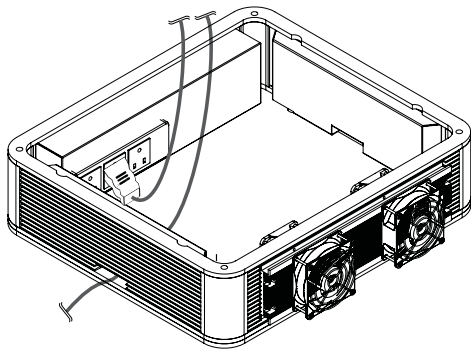


Installation Of Electronic Device

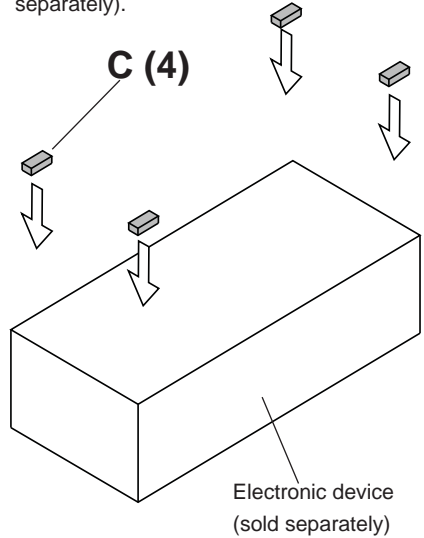
1. From the top of the Electronics Encloser, unscrew the 4 screws around the perimeter and remove the plastic top.



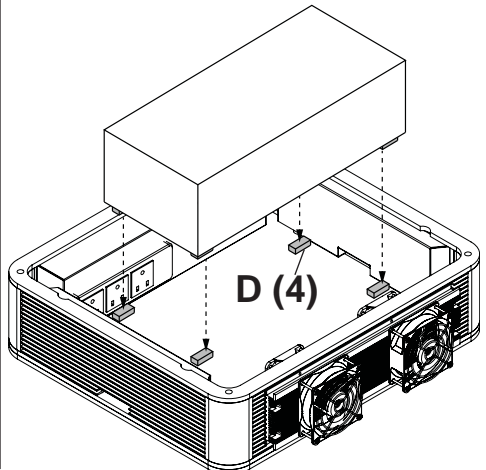
2. Plug the electronic device electrical cord or power supply into the electrical outlet located inside the Electronic Enclosure.
3. Connect all other cables to the electronic device.



4. Remove the release liner from one side of the adhesive on the 4 Velcro pieces provided (C). Attach the 4 Velcro pieces to the bottom corners of the electronic device (sold separately).



5. Note: Electronic devices should be kept at least 1/2" from the internal fans for proper air flow. Apply velcro pieces (D) to lid as shown. Once the Velcro has been applied to the bottom of the electronic device and the bottom of the enclosure lid, remove the exposed release liner and carefully place the electronic device inside the Electronics Enclosure allowing for equal clearance on all sides and clearance for cables. Once positioned, press down firmly for a few seconds to set the adhesive.



Closing the Electronic Enclosure

Note: If mounting the Electronics Enclosure using an Outdoor Display (TV) Wall Mount, completely close the Electronics Enclosure prior to mounting.

1. Connect all electronics to confirm power and connections are correct and functioning properly prior to final closing and mounting of the Electronics Enclosure.
2. Ensure the electronic device power switch is set to "On" (if applicable) and the electronic device settings are set to power the unit "On" when electricity is applied (plugged in).

Note: Once the Electronics Enclosure is closed, there will be no access to the electronic device itself without reopening.

3. Test the functionality of the Electronics Enclosure's heating and cooling system by plugging in the electrical cord to a 100-240VAC 50/60Hz GFCI electrical outlet (ensure the aluminum base plate is installed prior to this step, if not, install now). Once electricity is applied, the unit can be tested by pressing the three (3) buttons, one at a time, on the top of the internal mesh cage.

- Button A - All 4 fans will run for 30 seconds
- Button B - The surface of the enclosure between the two internal fans will warm slightly for 30 seconds (this can be felt by touch or by IR heat meter)
- Button C - The surface of the enclosure between the two internal fans will cool slightly for 30 seconds (this can be felt by touch or by IR heat meter)

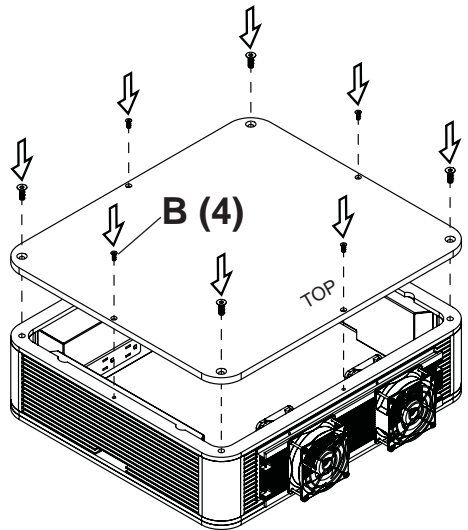
If all functions are working properly, proceed to step 2, if not contact your Peerless-AV Customer Service Representative.

Note: The test above can be done at any time to verify the unit is working properly.

4. To close the unit, realign the plastic top on the Electronics Enclosure and reinstall the (4) M6 x 18mm screws securing the plastic top to the Electronics Enclosure. Then, install (4) M4 x 18mm screws (B).

Note: Do not overtighten screws

Note: Ensure that the aluminum base plate and plastic top are reinstalled in the proper orientation.

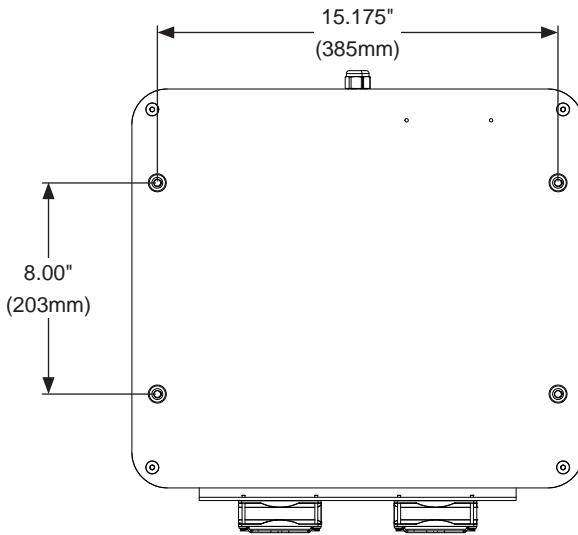


Mounting The Media Player Enclosure (Optional)

If the Electronics Enclosure is to be mounted, it's recommended to use an Outdoor Display (TV) Wall Mount. A mount is not included with the unit and can be purchased separately from Peerless-AV who can provide a variety of all-weather mounting solutions. Contact your Peerless-AV representative for an all-weather mounting solution.

The Electronics Enclosure is equipped with four (4) M8 mounting holes. Mounting hardware included with Outdoor Display (TV) Wall Mount (sold separately).

For your safety, only mount with a UL listed wall mount that supports the weight of the Electronics Enclosure and any internal hardware. When mounting the Electronics Enclosure outdoors or in harsh environments, only use wall mounts that are designed to resist water and rust.



Powering Up the Electronics Enclosure

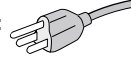
CAUTION: Please use the power cord provided with this product. If a power cord is not supplied with this equipment, please contact your supplier. Only plug equipment into receptacles with GFCI protection.

IMPORTANT: Peerless-AV is not responsible for any issues created by water present at the plug/receptacle insertion point.

Plug Type: North America

European

Plug Shape:



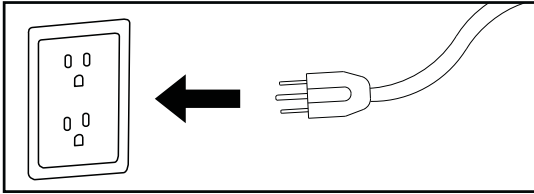
Region: USA/Canada

Europe

Voltage: AC 120V

AC240V

Plug the Electronics Enclosure electrical cord into the electrical outlet and be sure that it is connected properly.



General Care Instructions

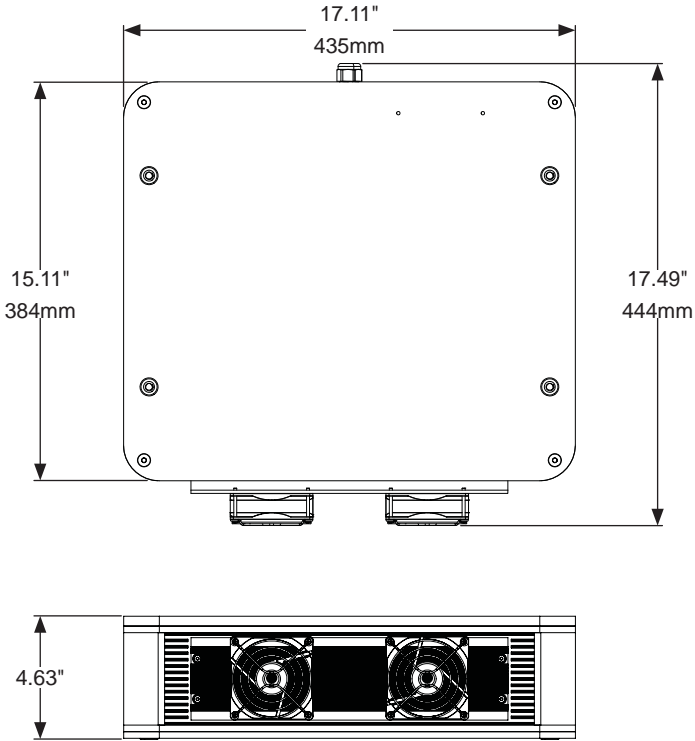
Keep items away from the Electronics Enclosure fans.

PRODUCT SPECIFICATIONS

Specifications subject to change without notice.

Enclosure	
Operating Temperature Ranges	-40° F to 115° F -40° C to 46° C
Power Cord Length	8 ft (2.4m)
Usable Internal Space	14.25 x 10 x 3.5" 362 x 254 x 89mm

Product Dimensions



WARRANTY



Electronics Enclosure
CL-ENCL68

TWO YEAR PARTS & LABOR LIMITED WARRANTY

Terms of Peerless-AV®

Limited Warranty:

The Peerless-AV Electronics Enclosure is warranted to be free of defects in material and workmanship from the time of purchase by the original owner. If this product is found and proved to be defective under the terms and conditions of this warranty, Peerless-AV will repair or replace defective parts with new and/or reconditioned parts at no charge for the parts and labor to the original owner, subject to the terms and conditions of this Limited Warranty. This Limited Warranty covers failures due to defects in material or workmanship that occur during normal residential or commercial use as follows:

1. Parts – the warranty period for parts is: two (2) years from the date of original purchase. During the applicable Limited Warranty period for parts, defective parts will be replaced at no charge. Parts used for the replacement will be warranted for the remainder of the original warranty period for those parts.
2. Labor – the warranty period for labor is: two (2) years from the date of original purchase. During the applicable Limited Warranty period for labor, Peerless-AV will provide the labor for warranty repair at no charge for a period of two (2) years from the date of original purchase.
3. Original owner must provide verification of the date of purchase when requesting Limited Warranty Services. A copy of the original Dated Sales Receipt is required together with the product to obtain service under this Limited Warranty.
4. All repairs must be performed by a Peerless-AV Authorized Service Provider.
5. Customer is responsible for returning (including any freight and shipping costs) defective unit to a Peerless-AV Authorized Service Provider. If the product is found to have no defects, the customer will be responsible for return shipping costs as well.

THIS LIMITED WARRANTY DOES NOT COVER:

- Labor to uninstall and reinstall the electronics enclosure
- Shipping damage.
- Damage caused during customer unpacking, and/or removal of packing materials.
- Damage due to improper, incorrect or insufficient AC voltage.
- Damage due to power surges or lightning strikes.
- Damage which results from fire, flood, lightning, tornado, hurricane, large hail, extremely gusty winds, sand storms, vandalism, terrorism or other acts of nature.

- Any unit which has been modified or damaged due to improper installation or failure to obey the operating instructions provided in the User Manual.
- Any failure, loss, damage or personal injury due to accident, neglect, misuse, abuse, improper operation, improper maintenance, improper storage, alteration to the unit, or failure by the consumer to follow operating instructions provided in the User Manual.
- Any owner other than the original owner.
- Any unit purchased from an unauthorized seller.
- Any packaging or transportation charges incurred in connection with warranty services.
- Indirect, consequential, or special damages, except as required by federal or state laws.
- Any unit tampered with, modified, adjusted or repaired by any party other than the Peerless-AV Authorized Service Provider.
- Any cosmetic damages to the surface or exterior that has been defaced or faded, or caused by normal wear and tear or exposure to chemicals, acid rain, large hail or adverse weather conditions.
- Dirty air waves, and/or unusual signal interference due to weak signal from multi-wire runs or weak signal from cable or satellite service providers or unusual signal interference or lack of distance when using the Digital Wireless Video/Audio Package.
- Return shipping when no defect is found.

Peerless-AV and its representatives or agents shall in no event be liable for any general, indirect or consequential damages arising out of/or caused by the use of/or the inability to use this product.

This warranty is made in lieu of all other warranties, expressed or implied, and all other liabilities on the part of Peerless-AV. Any other warranties, including the warranties of merchantability and fitness for a particular purpose are hereby disclaimed by Peerless-AV and its representatives and/or agents.

The laws of some states do not allow exclusion of implied warranties; therefore, this warranty shall be deemed modified to be consistent with such laws. This Limited Warranty gives you specific legal rights. You may also have other rights that vary from state to state.

All warranty inspections and repairs must be performed by Peerless-AV or its authorized service representations.

Customer Care: 800.865.2112 or 630.375.5100

Website: www.peerless-av.com

© 2017 Peerless Industries, Inc. All rights reserved.

This page intentionally left blank.

Touchboards

205 Westwood Ave, Long Branch, NJ 07740
Phone: 866-94 BOARDS (26273) / (732)-222-1511
Fax: (732)-222-7088 | E-mail: sales@touchboards.com

peerless-AV[®]

Peerless-AV
2300 White Oak Circle
Aurora, IL 60502
Email: tech@peerlessmounts.com
Ph: (800) 865-2112
Fax: (800) 359-6500
www.peerless-av.com

Peerless-AV Europe
Unit 3 Watford Interchange,
Colonial Way, Watford, Herts,
WD24 4WP, United Kingdom
Customer Care
44 (0) 1923 200 100
www.peerless-av.com

Peerless-AV de Mexico
Ave de las Industrias 413
Parque Industrial Escobedo
Escobedo N.L Mexico 66050
Servicio al Cliente
01-800-849-65-77
www.peerless-av.com