

Installation and Assembly - Multi-Display I-Beam Clamp for 4"-7" Beams

Maximum load rating 600 lb (272.2 kg) Combined weight to all attached hardware and components is not to exceed 600 lb (272.2 kg)

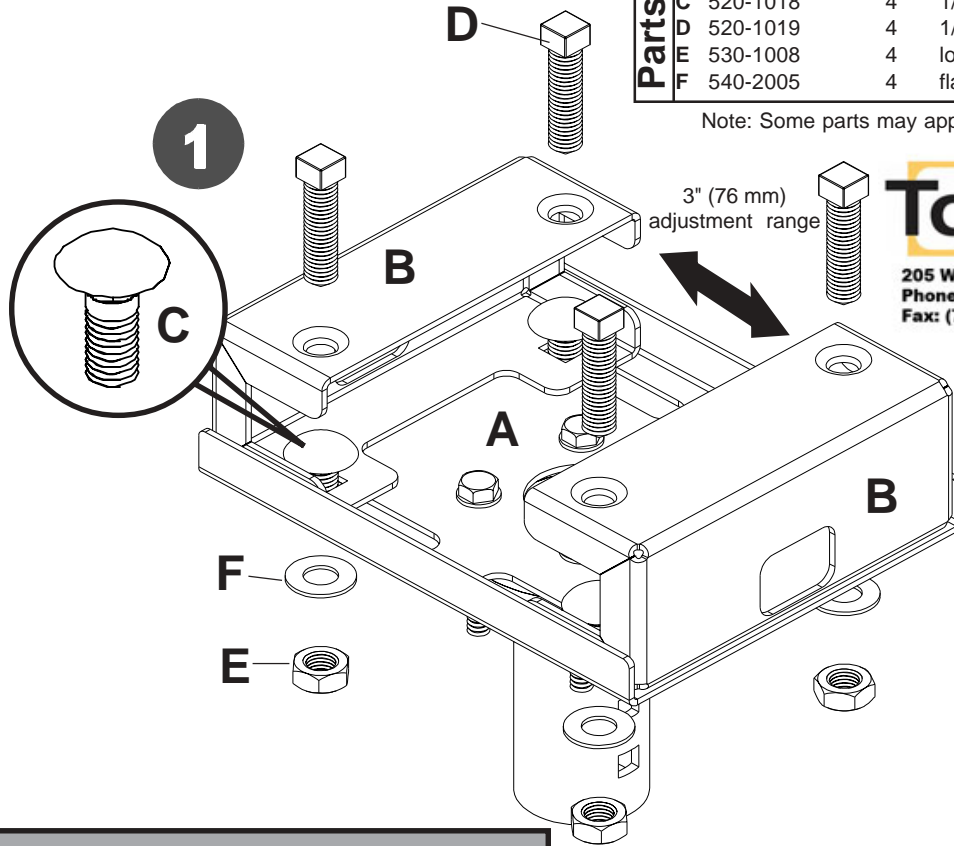
IMPORTANT! Read entire instruction sheet before you start installation and assembly.

**Model:
DCT 900**

Before you start make sure all parts shown below are included with your product.

Parts List	PART #	QTY.	DESCRIPTION
	A 128-0424	1	tray
	B 128-1273	2	clamps for i-beam
	C 520-1018	4	1/2-13 X 2" square head bolt
	D 520-1019	4	1/2-13 X 1" carriage bolt
	E 530-1008	4	lock nut 1/2-13
	F 540-2005	4	flat washer 1/2-13

Note: Some parts may appear slightly different than illustrated.



205 Westwood Ave, Long Branch, NJ 07740
Phone: 866-94 BOARDS (26273) / (732)-222-1511
Fax: (732)-222-7088 | E-mail: sales@touchboards.com

⚠ WARNING

- If multi-display system, in combination with components exceeds 600 lb (272.2 kg) it therefore exceeds the maximum load. Heavy Duty I-Beam Clamp with Decoupler will not safely support a combined load which exceeds 600 lb (272.2 kg)!

1 **Note:** For each step see corresponding illustration. Attach brackets (B) to tray (A) using four 1/2-13 X 2" square head bolts (C), washers (F), and lock nuts (E). Do not fully tighten. Start four 1/2-13 X 1" carriage bolts (D) into clamps (B).

1-1 Adjust clamps (B) securely around I-Beam. Tighten (C,F,E) securely. Tighten four bolts (D) securely. Attach the extension column according to the instructions provided with it. Use a level to make sure the column is plumb and make adjustments as necessary.

