

DSF210-SHC
DSF210-SFC



Display size
10"



Max load
5lb (2.3kg)

Flat Shelf Mount

FOR SAMSUNG DB10D DISPLAY

The Peerless-AV® Flat Gondola Mount allows for easy mounting to gondolas for point of sale advertising, making it ideal for retail and grocery store applications. The display can be mounted in landscape or portrait orientation to accommodate the digital content needed to be shown. Security hardware and internal cable management prevent damage and theft, while the rear cover protects the cables and power button.* Change your static product display to digital with this versatile and sturdy mount for the Samsung DB10D Display.

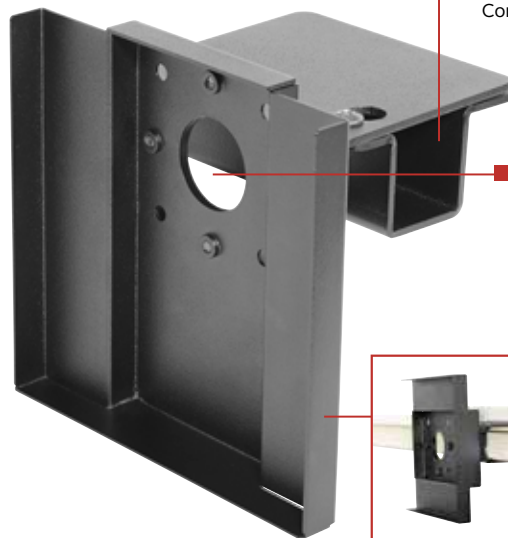
Digitally display pricing, sales, advertisements, etc. to enhance the customer experience throughout the store.



Additional Features

- ✓ Compatible with most gondola shelving
- ✓ Internal cable management
- ✓ Holds the display in either portrait or landscape orientation
- ✓ Rear full cover (SFC) and rear half cover (SHC) options available
- ✓ Security hardware deters tampering and theft

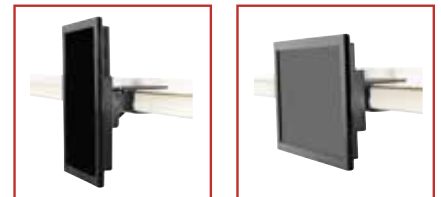
DSF210-SHC



■ **UNIVERSAL DESIGN**
Compatible with most gondola shelving

■ **INTERNAL CABLE MANAGEMENT**
Aesthetically pleasing design that prevents tampering

■ **MOUNTS IN LANDSCAPE OR PORTRAIT**
Display can be orientated to accommodate the content shown



Portrait and landscape orientation - DB10D not included

RoHS

* Full cover protects both cables and power button.
Half cover protects cables only.

info@peerless-av.com
peerless-av.com

peerless-AV®

DSF210-SHC Flat Shelf Mount for Samsung DB10D Display with Rear Half Cover
DSF210-SFC Flat Shelf Mount for Samsung DB10D Display with Rear Full Cover

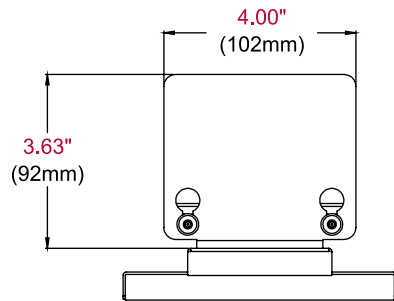
Product Specifications

	DIMENSIONS (W x H x D)	PRODUCT WEIGHT	LOAD CAPACITY	FINISH	AVAILABLE COLORS
DSF210-SHC	5.70" x 5.70" x 4.68" (145 x 145 x 119mm)	1.8lb (.8kg)	5lb (2.3kg)	Powder Coat	Black
DSF210-SFC	5.70" x 9.00" x 4.68" (145 x 229 x 119mm)	2.2lb (1kg)			

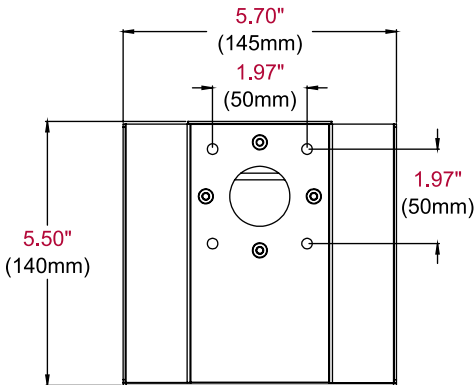
Package Specifications

	PACKAGE SIZE (W x H x D)	PACKAGE SHIP WEIGHT	PACKAGE UPC CODE	PACKAGE CONTENTS	UNITS IN PACKAGE
DSF210-SHC	23.50" x 17.50" x 8.25" (597 x 444 x 209mm)	2.7lb (1.2kg)	735029310778	Mount and Display Attaching Hardware	1
DSF210-SFC		3.1lb (1.4kg)	735029310785		

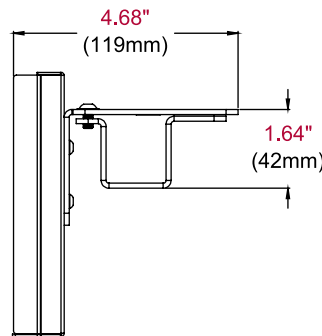
All dimensions = inch (mm)



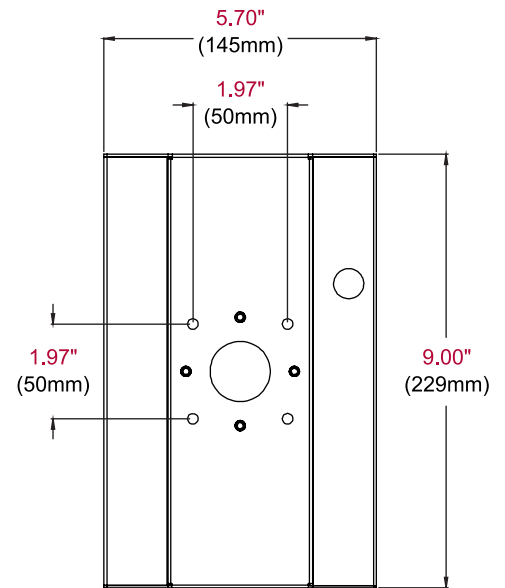
TOP VIEW



DSF210-SHC FRONT VIEW



SIDE VIEW



DSF210-SFC ADAPTOR PLATE DETAIL

Architect Specifications

The Flat Shelf Mount shall be a Peerless-AV model DSF210-SHC or DSF210-SFC and shall be located where indicated on the plans. Assembly and installation shall be done according to instructions provided by the manufacturer.

Visit peerless-av.com to see the complete line of AV solutions from Peerless-AV, including outdoor displays, wireless, kiosks, digital audio, display mounts, projector mounts, carts/stands, and a full assortment of accessories.

Peerless-AV
 2300 White Oak Circle
 Aurora, IL 60502 USA
(800) 865-2112
(630) 375-5100
Fax: (800) 359-6500

Peerless-AV Europe
 Unit 3 Watford Interchange
 Colonial Way, Watford
 Herts, WD24 4WP
 United Kingdom
+44 (0) 1923 200100
Fax: +44 (0) 1923 200101

Peerless-AV de México
 Ave de las Industrias 413
 Parque Industrial Escobedo
 Escobedo, N.L.,
 Mexico 66050
+52 (81) 8384-8300
Fax: +52 (81) 8384-8360

