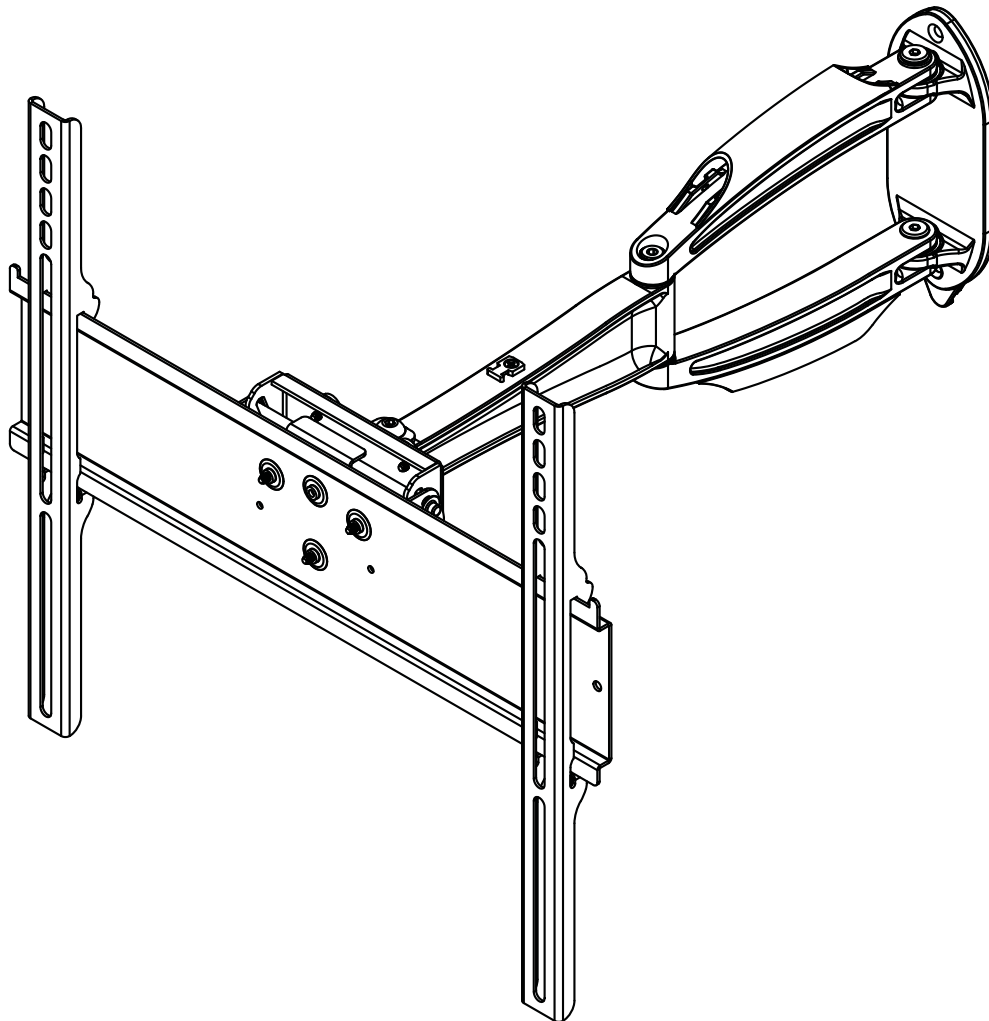




# Installation and Assembly: Corrosion Resistant Articulating Mount for Indoor or Outdoor 26" to 46" Flat Panel Displays

Models: ESA746PU



205 Westwood Ave, Long Branch, NJ 07740  
Phone: 866-94 BOARDS (26273) / (732)-222-1511  
Fax: (732)-222-7088 | E-mail: sales@touchboards.com



Max UL Load Capacity: 80 lb (36.3 kg)

**Note:** Read entire instruction sheet before you start installation and assembly.

## ⚠ WARNING

- Do not begin to install your Peerless product until you have read and understood the instructions and warnings contained in this Installation Sheet. If you have any questions regarding any of the instructions or warnings, for US customers please call Peerless customer care at 1-800-865-2112, for all international customers, please contact your local distributor.
- This product should only be installed by someone of good mechanical aptitude, has experience with basic building construction, and fully understands these instructions.
- Due to outdoor environmental conditions such as heavy snow, hail, rain, etc. the environmental mount and hardware must be inspected at least once a year. This product should not be exposed to high winds. A qualified installer or inspector must check for signs of rust, loose fasteners, bent metal, etc. If evidence of excessive wear, deterioration or any unsafe condition is observed, this product must be taken out of service immediately. Direct all inquiries to customer care if you have any questions.
- Make sure that the supporting surface will safely support the combined load of the equipment and all attached hardware and components.
- Never exceed the Maximum UL Load Capacity. See page one.
- If mounting to wood wall studs, make sure that mounting screws are anchored into the center of the studs. Use of an "edge to edge" stud finder is highly recommended.
- Always use an assistant or mechanical lifting equipment to safely lift and position equipment.
- Tighten screws firmly, but do not overtighten. Overtightening can damage the items, greatly reducing their holding power.
- This product was designed to be installed on the following wall construction only;

### **WALL CONSTRUCTION**

### **HARDWARE REQUIRED**

- |                    |  |
|--------------------|--|
| • Wood Stud        | Included   |
| • Wood Beam        | Included   |
| • Solid Concrete   | Included   |
| • Cinder Block     | Included   |
| • Metal Stud       | Contact Qualified Professional (not evaluated by UL) |
| • Brick            | Contact Qualified Professional (not evaluated by UL) |
| • Other or unsure? | Contact Qualified Professional                       |

## Tools Needed for Assembly

- stud finder ("edge to edge" stud finder is recommended)
- phillips screwdriver
- drill
- 3/16" (5mm) for wood studs, 13/32" (10mm) for concrete and cinder block
- level

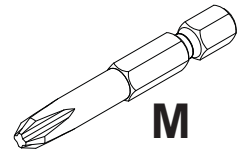
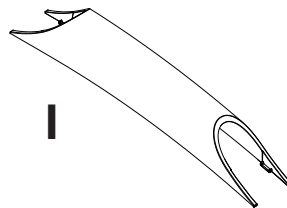
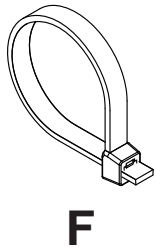
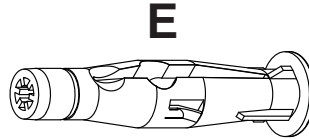
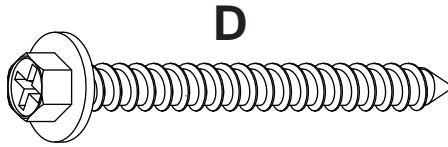
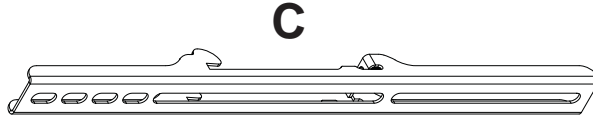
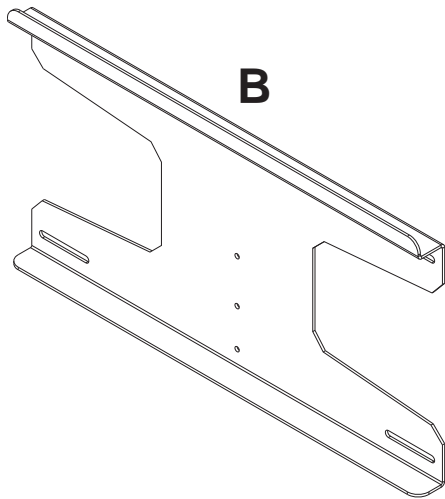
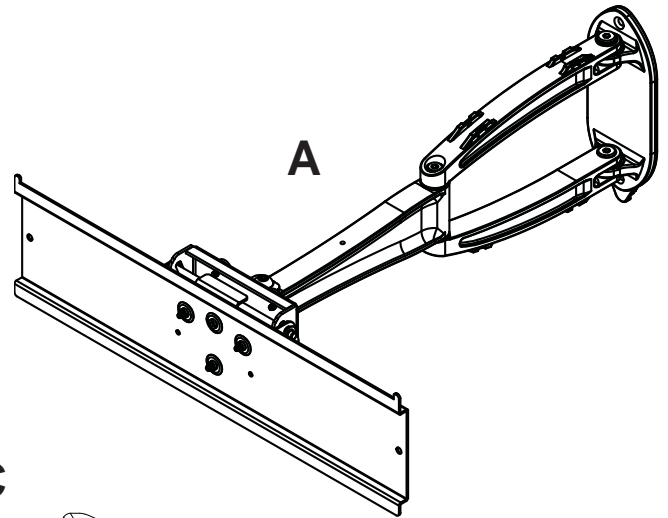
## Table of Contents

Parts List.....	3
Installation to Wood Stud Wall.....	5
Installation to Solid Concrete and Cinder Block .....	6

Before you begin, make sure all parts shown are included with your product.

Description	ESA746PU	
	Qty.	Part #
A wall arm	1	096-T1272
B wall plate	1	024-T1050
C adapter brackets	2	095-T1945
D 2.5" wood screws	3	520-D1033
E concrete anchors	4	590-0320
F cable ties	8	560-1756
G cable tie anchors	2	590-1290
H 8-32 x 1/4" phillips screw	2	520-D1622
I plastic cord covers	2	590-P1323
K #10-32 x 1/4" flat head phillips screw	1	520-D1108
L 5 mm allen wrench	2	560-9640
M #3 screwdriver bit	1	560-0209
N 2-1/2" security wood screw	1	520-D1668
O 4mm security allen wrench	1	560-9646
P 1/4-20 x 1/2" socket pin screws	2	520-D1069

Parts may appear slightly different than illustrated.



F

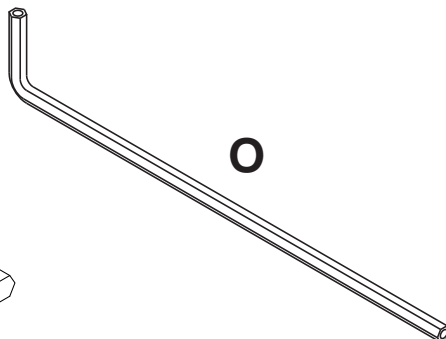
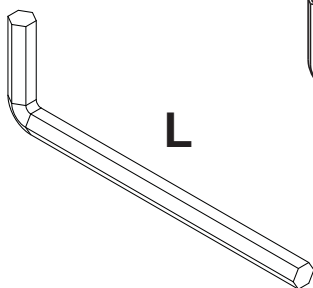
G

H

I

K

M



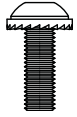
L

O

N

P

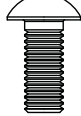
# Adapter Bracket Fasteners



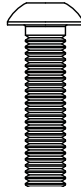
M4 x 12 mm (6)  
(510-D1079)



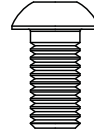
M4 x 25 mm (4)  
(510-D1082)



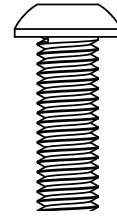
M5 x 12 mm (4)  
(520-D1064)



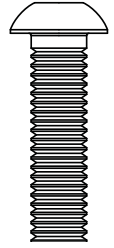
M5 x 25 mm (4)  
(520-D1122)



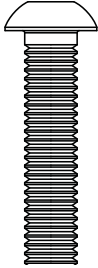
M6 x 12 mm (4)  
(520-D1050)



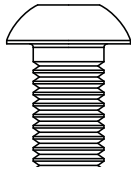
M6 x 20 mm (4)  
(520-D1554)



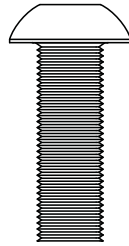
M6 x 25 mm (4)  
(520-D1211)



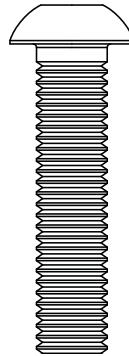
M6 x 30 mm (4)  
(520-D1067)



M8 x 12 mm (6)  
(520-D1068)



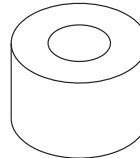
M8 x 25 mm (4)  
(520-D1101)



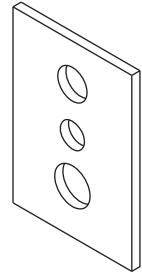
M8 x 40 mm (4)  
(520-D1152)



I.D. .22" (4)  
(540-1057)



I.D. .34" (4)  
(540-1059)



multi-washer (6)  
(580-D1036)

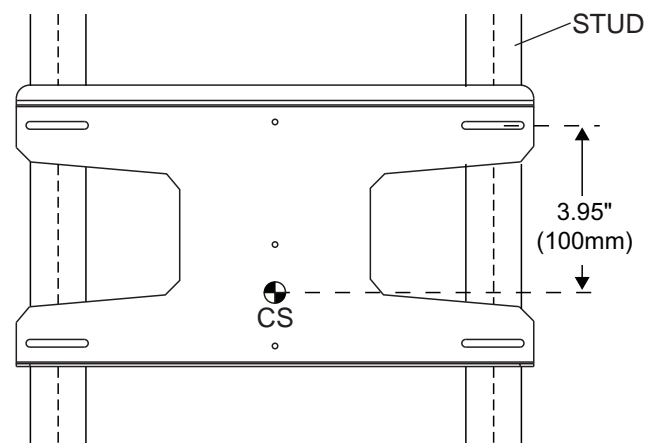
## Installation to Wood Stud Wall

### ⚠ WARNING

- Installer must verify that the supporting surface will safely support the combined load of the equipment and all attached hardware and components.
- Tighten wood screws so that wall plate is firmly attached, but do not overtighten. Overtightening can damage the screws, greatly reducing their holding power.
- Never tighten in excess of 80 in. • lb (9 N.M.).
- Make sure that mounting screws are anchored into the center of the stud. The use of an "edge to edge" stud finder is highly recommended.
- Hardware provided is for attachment of mount through standard thickness drywall or plaster into wood studs. Installers are responsible to provide hardware for other types of mounting situations (not evaluated by UL).

**1** Use a stud finder to locate the edges of the studs and draw a vertical line down the center of each stud. Use wall plate (B) as a template to mark center of four mounting holes. The top mounting slots should be located 3.95" (100mm) above the desired screen center as shown in figure 1.1. Drill four 5/32" (4mm) dia. holes to a depth of 2-1/2" (64mm). Attach wall plate (B) to wall using three wood screws (D) and one security wood screw (N) as shown in fig. 1.2. Level wall plate then tighten all fasteners.

Attach wall arm (A) to wall plate (B) with two 1/4-20 x 1/2" socket pin screws (P) as shown in figure 1.3.



CS = Center of Screen

fig. 1.1

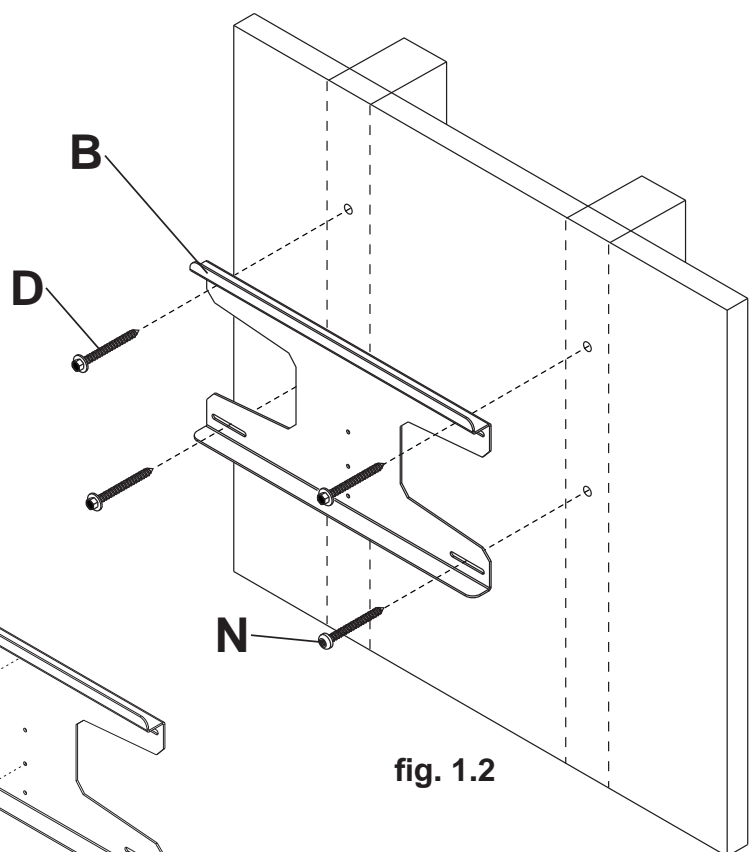


fig. 1.2

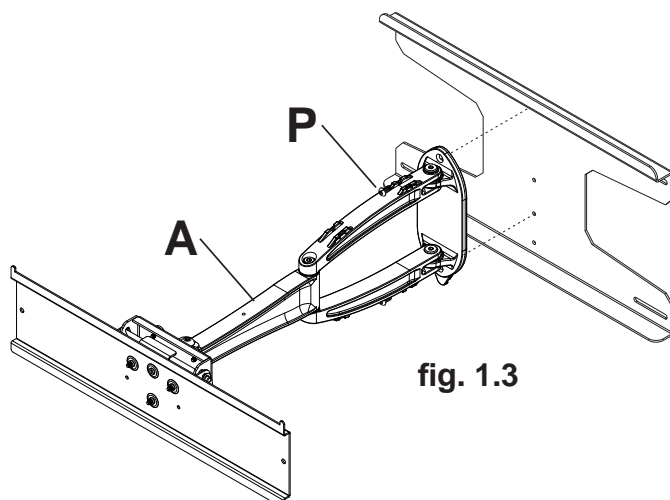


fig. 1.3

# Installation to Solid Concrete and Cinder Block

## ⚠ WARNING

- When installing Peerless wall arms on cinder block, verify that you have a minimum of 1-3/8" (35 mm) of actual concrete thickness in the hole to be used for the concrete anchors. Do not drill into mortar joints! Be sure to mount in a solid part of the block, generally 1" (25 mm) minimum from the side of the block. Cinder block must meet ASTM C-90 specifications. It is suggested that a standard electric drill on slow setting is used to drill the hole instead of a hammer drill to avoid breaking out the back of the hole when entering a void or cavity.
- Concrete must be 2000 psi density minimum. Lighter density concrete may not hold concrete anchor.
- Make sure that the supporting surface will safely support the combined load of the equipment and all attached hardware and components.

**1** Use wall plate (B) as a template to mark center of holes. The top mounting slots should be located 3.95" (100mm) above the desired screen center as shown in figure 1.1 on page 5. Drill four 5/16" (8mm) dia. holes to a minimum depth of 2.5" (64mm). Insert anchors (E) into holes. Attach wall plate to wall using three wood screws (D) and one security wood screw (N) as shown in fig. 1.4. Level wall plate then tighten all fasteners.

Attach wall arm (A) to wall plate (B) with two 1/4-20 x 1/2" socket pin screws (P) as shown in figure 1.3 on page 5.

## ⚠ WARNING

- Tighten screws so that wall plate is firmly attached, but do not overtighten. Overtightening can damage screws, greatly reducing their holding power.
- Never tighten in excess of 80 in. • lb (9 N.M.).
- Always attach concrete expansion anchors directly to load-bearing concrete.
- Never attach concrete expansion anchors to concrete covered with plaster, drywall, or other finishing material. If mounting to concrete surfaces covered with a finishing surface is unavoidable (not evaluated by UL), the finishing surface must be counterbored as shown below. Be sure concrete anchors do not pull away from concrete when tightening screws. If plaster/drywall is thicker than 5/8" (16 mm), custom fasteners must be supplied by installer (not evaluated by UL).

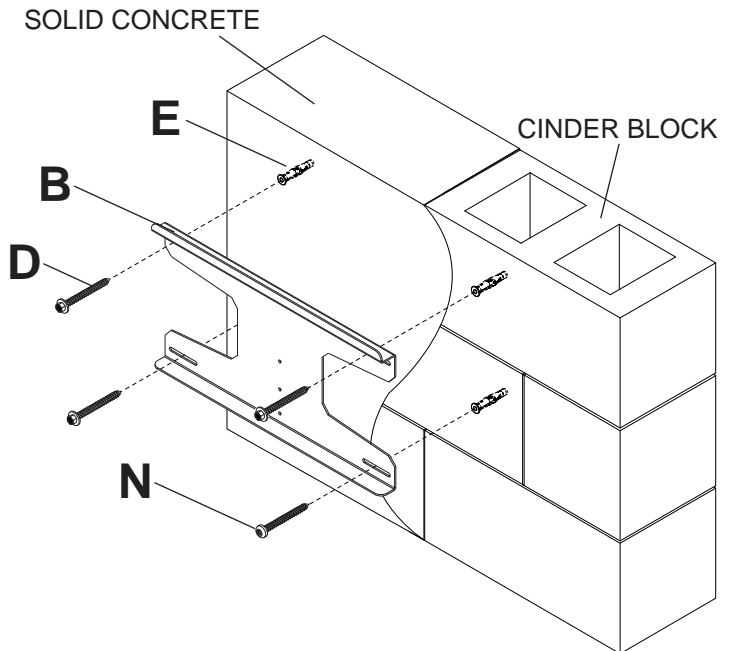
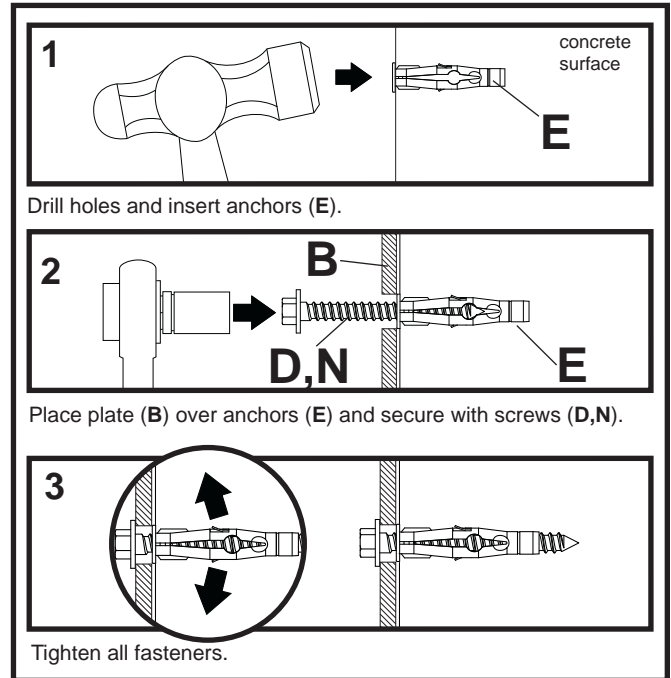
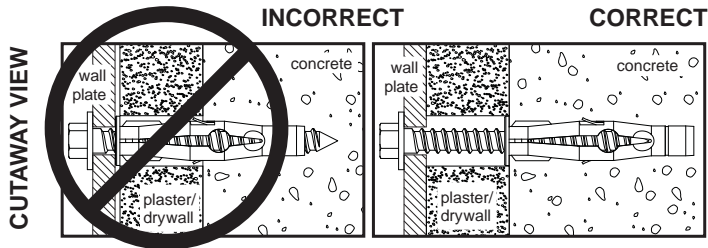


fig. 1.4

## Installing Adapter Brackets

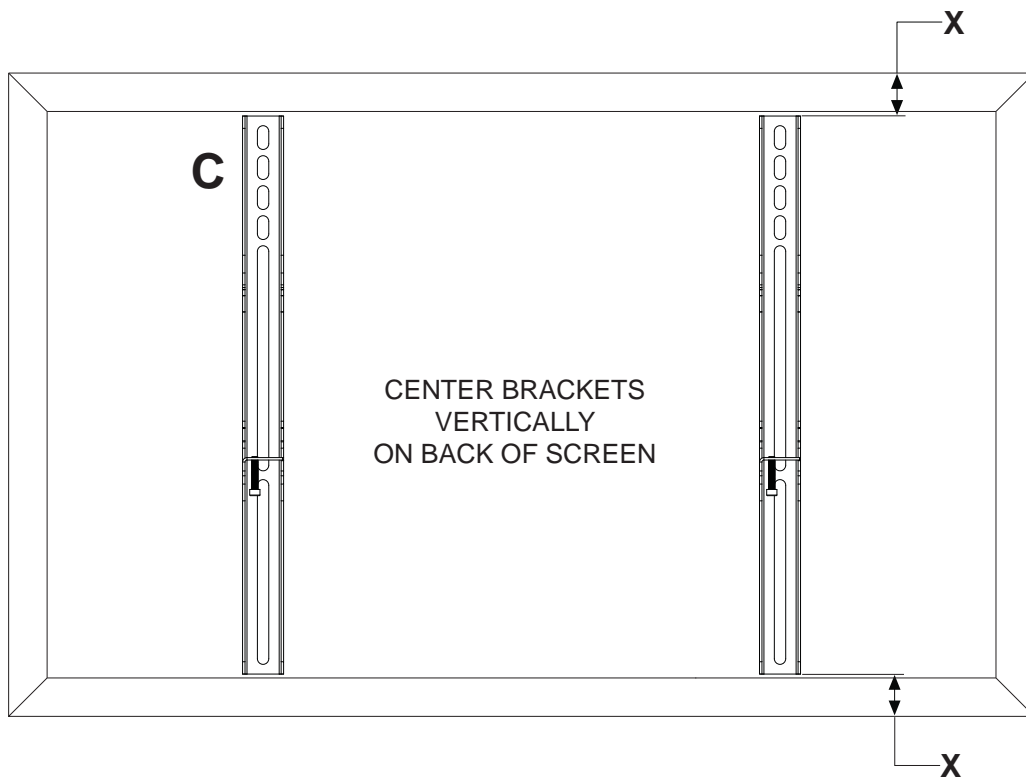
### ⚠ WARNING

- Tighten screws so adapter brackets are firmly attached. Do not tighten with excessive force. Overtightening can cause stress damage to screws, greatly reducing their holding power and possibly causing screw heads to become detached. Tighten to 40 in. • lb (4.5 N.M.) maximum torque.
- If screws don't get three complete turns in the screen inserts or if screws bottom out and bracket is still not tightly secured, damage may occur to screen or product may fail.

**2** To prevent scratching the screen, set a cloth on a flat, level surface that will support the weight of the screen. Place screen face side down. If screen has knobs on the back, remove them to allow the adapter brackets to be attached. Place adapter brackets (**C**) on back of screen, align to holes, and center on back of screen as shown below. Attach the adapter brackets to the back of the screen using the appropriate combination of screws, washers, and spacers as shown in steps 2-1 or 2-2.

**NOTE:** Top and bottom holes must always be used.

Verify that all holes are properly aligned, and then tighten screws using a phillips screwdriver.



**NOTE:** "X" dimensions should be equal.

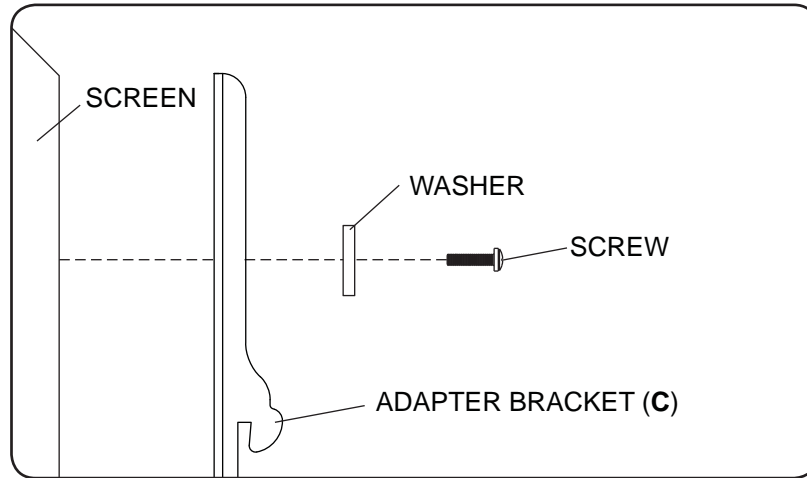
**NOTE:** For **flat back screens** proceed to step 2-1. For **bump-out or recessed back screen** skip to step 2-2.

## For Flat Back Screen

2-1

Begin with the shortest length screw, hand thread through washer and adapter bracket into screen as shown below. Screw must make at least three full turns into the mounting hole and fit snug into place. Do not over tighten. If screw cannot make three full turns into the screen, select a longer length screw from the baffled fastener pack. Repeat for remaining mounting holes, level brackets and tighten screws.

**NOTE:** Spacers may not be used, depending upon the type of screen.



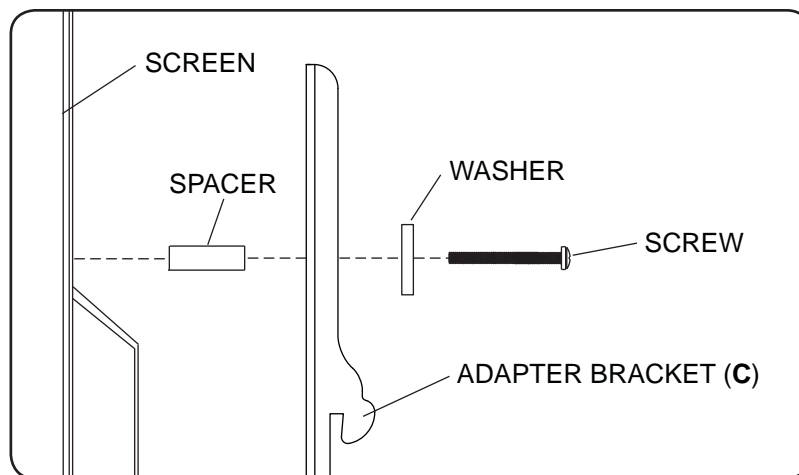
If you have any questions, please call Peerless customer care at **1-800-865-2112**.

---

## For Bump-out or Recessed Back Screen

2-2

Begin with longer length screw, hand thread through washer, adapter bracket and spacer in that order into screen as shown below. Screw must make at least three full turns into the mounting hole and fit snug into place. Do not over tighten. If screw cannot make three full turns into the screen, select a longer length screw from the baffled fastener pack. Repeat for remaining mounting holes, level brackets and tighten screws.



If you have any questions, please call Peerless customer care at **1-800-865-2112**.



# Mounting and Removing Flat Panel Screen

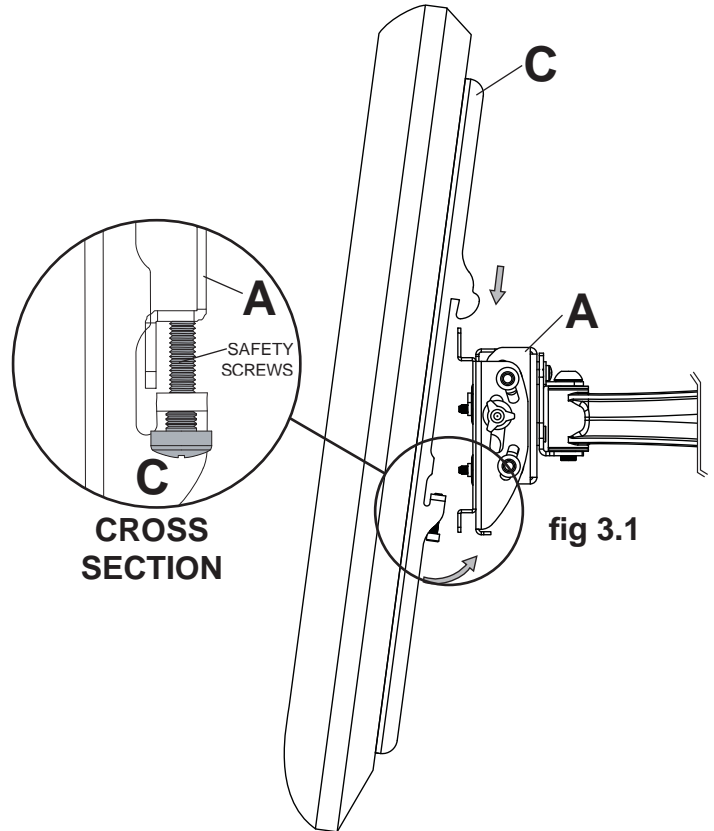
## ⚠ WARNING

- Always use an assistant or mechanical lifting equipment to safely lift and position the flat panel screens.

**3** Hook adapter brackets (**C**) onto center of adapter plate (**A**). **NOTE:** Adapter brackets (**C**) must be centered on adapter plate (**A**) or product may not function properly. Turn security screws, using a phillips screwdriver, clockwise at least six times to prevent screen from being removed as shown in cross section of fig. 3.1.

**NOTE:** To lock the screen down, tighten security screws to wall plate as shown in cross section.

To remove screen from mount, loosen security screws, swing screen away from mount, and lift screen off of mount.



## CAUTION

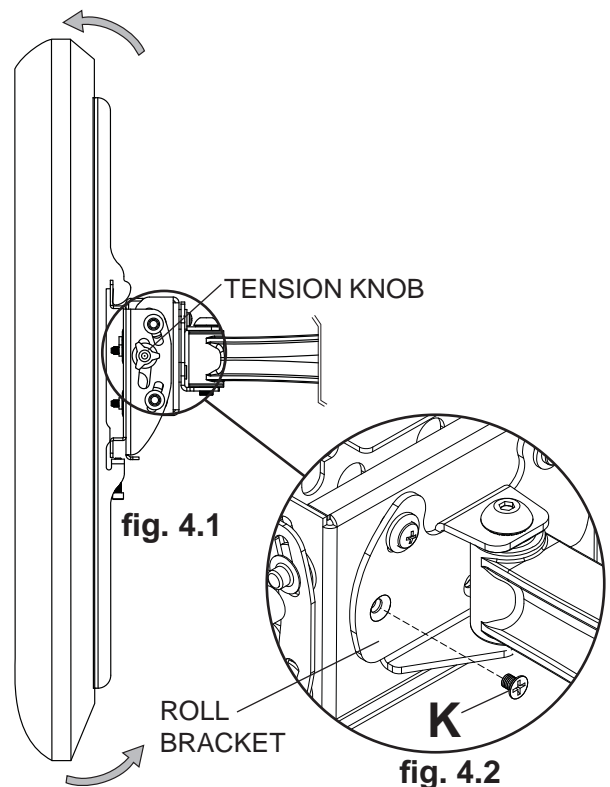
- Do not tighten screws with excessive force. Overtightening can cause damage to mount. Tighten screws to 40 in. • lb (4.5 N.M.) maximum torque.

**4** Hold screen securely and loosen tension knob on side of mount shown in figure 4.1 to allow for tilt.

Adjust screen to desired tilt (15° forward, 5° backward), then retighten tension knob.

**4-1** Rotate screen by hand to level screen. Roll bracket allows 2° roll adjustment.

Insert #10-32 x 1/4" flat head phillips screw (**K**) to lock screen into position as shown in figure 4.2.



## CAUTION

- Be careful not to pinch fingers when opening and closing mount from the wall.
- Do not tighten screws with excessive force. Overtightening can cause damage to mount. Tighten screws to 40 in. • lb (4.5 N.M.) maximum torque.

## Cable Management

5 Attach cable tie anchor (G) to top or bottom of wall arm (A) using 8/32 x 1/4" phillips screw (H) as shown in figure 5.1. Secure cables to top or bottom of wall arm (A) using cable ties (F) as shown in figure 5.2.

Route cords inside arm slots of wall arm (A). Lock cords into place by snapping cord covers (I) onto mount as shown in figure 5.3. **NOTE:** Be sure arrow on inside of cable covers (I) points toward screen as shown in detail 1.

Cables may also be secured to slot at bottom of wall plate using a cable tie (F) as shown.

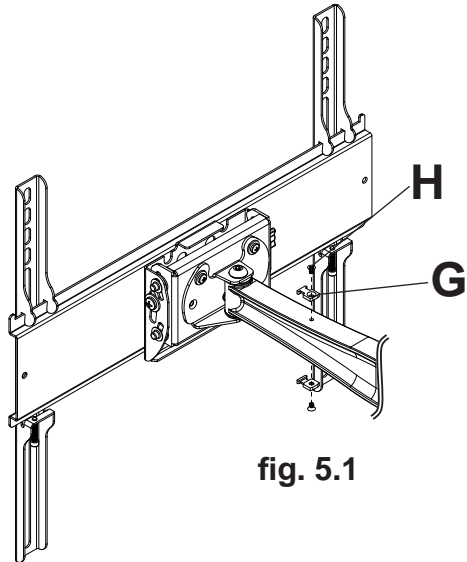


fig. 5.1

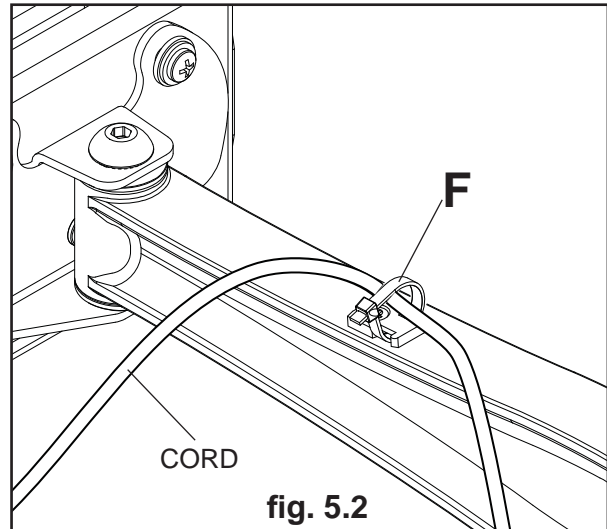


fig. 5.2

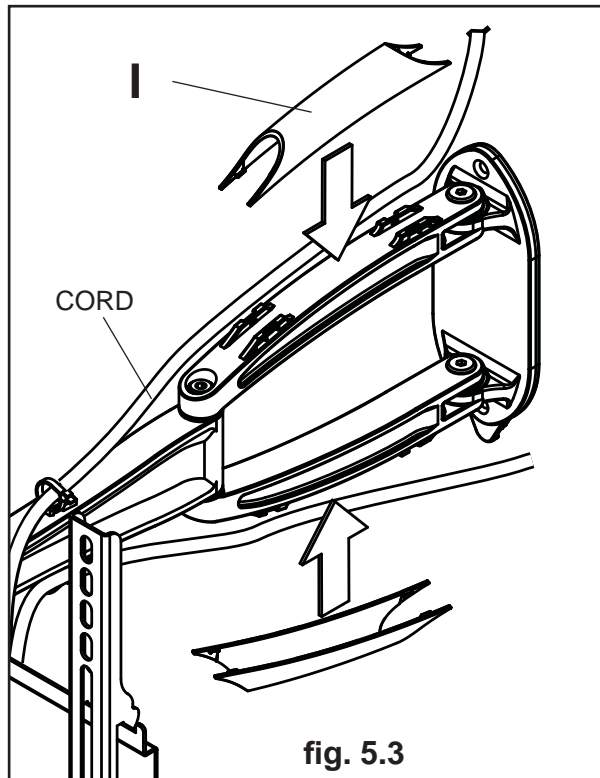
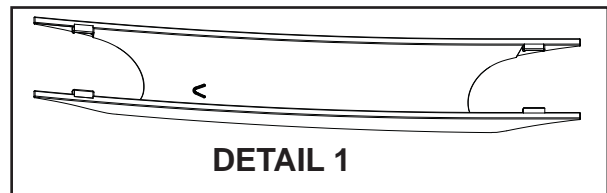
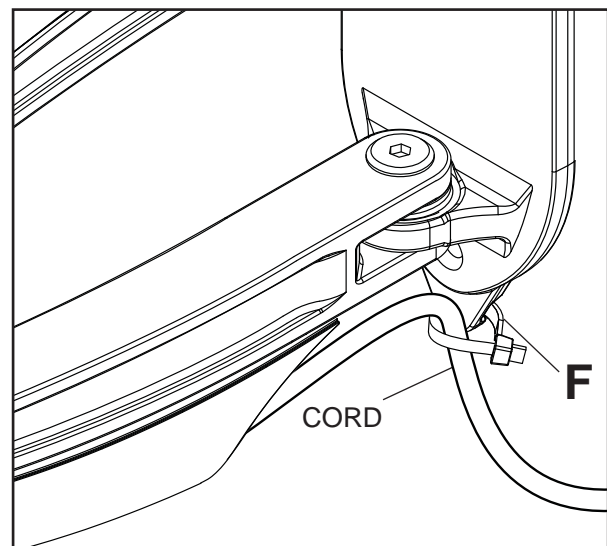


fig. 5.3



DETAIL 1

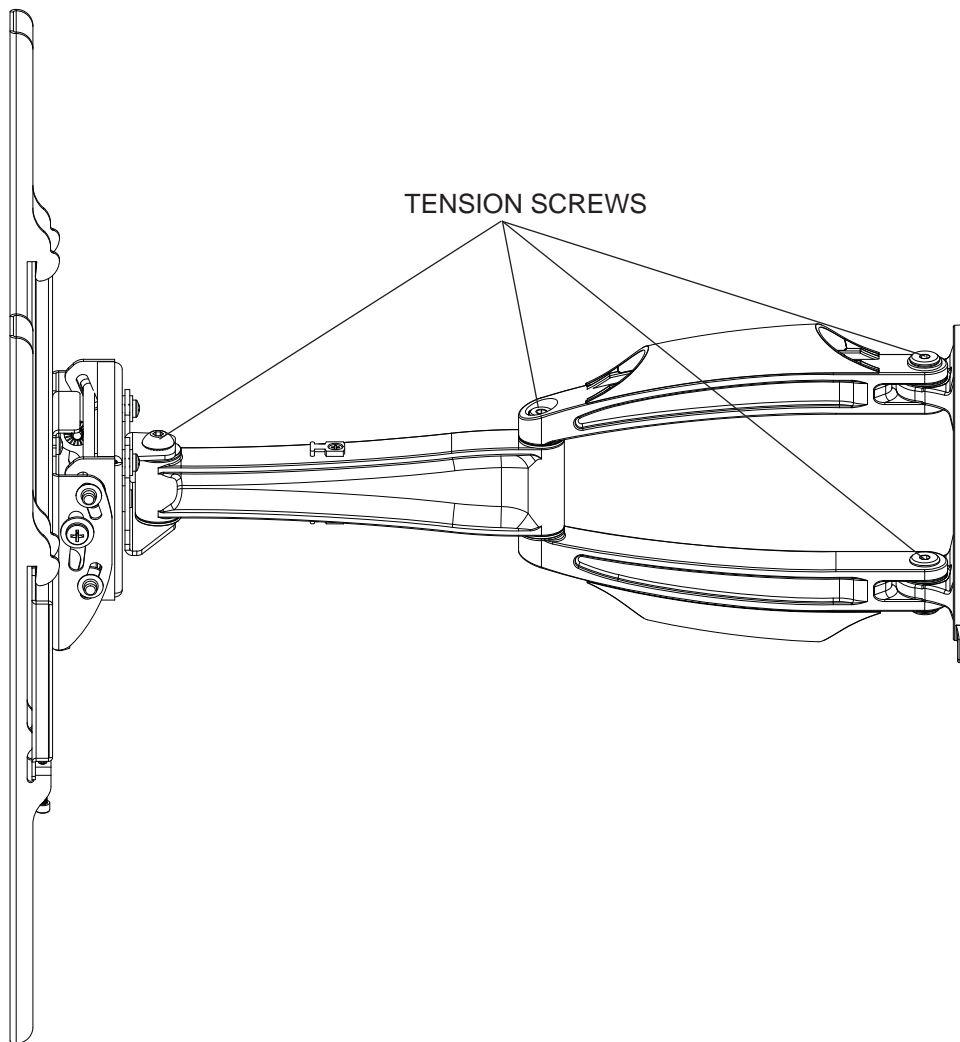


## Tension Adjustment

### ⚠ WARNING

- Do not remove screw or loosen screw until it is no longer engaged with the mount. Doing so may cause the screen to fall.
- If screws become loose over time, tighten screws as necessary. Tighten screws to 50 in. • lb (5.6 N.M.) maximum torque.

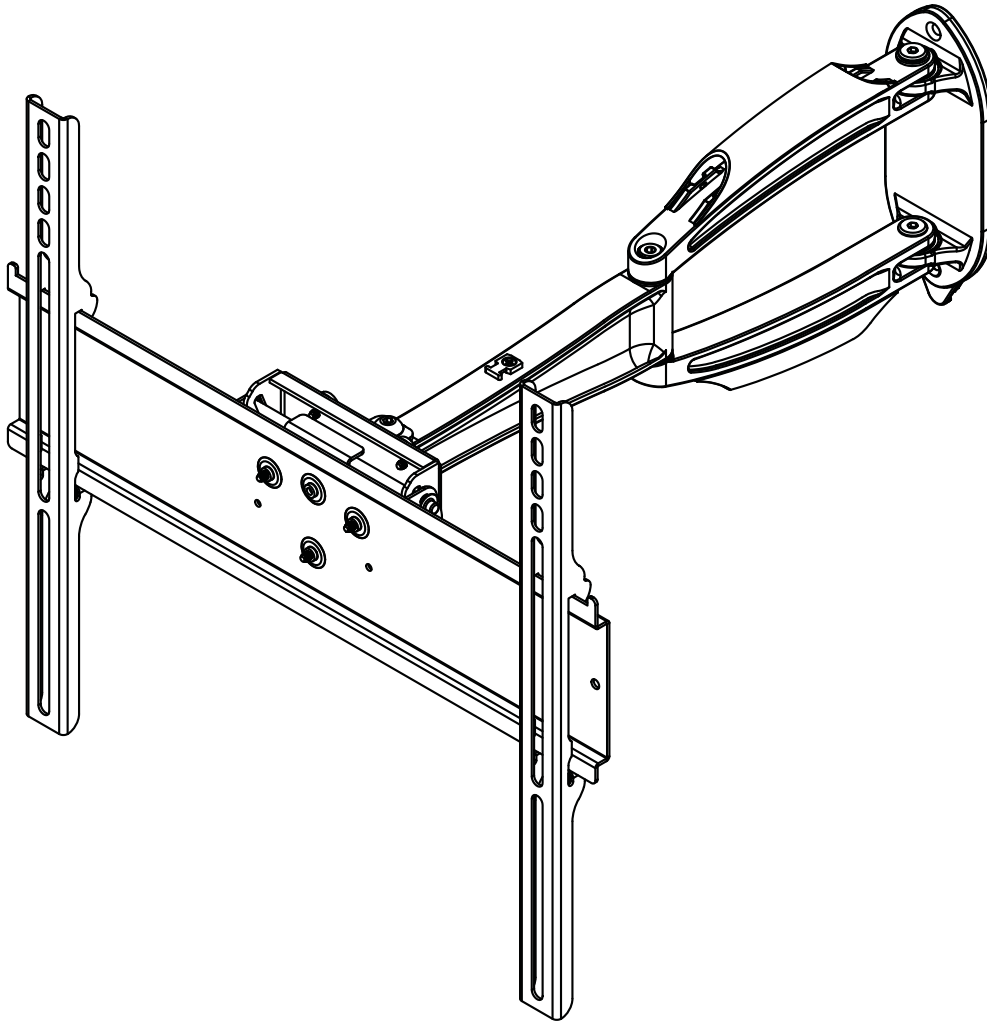
- 6 If more or less tension is desired in the arm pivot points, do the following:
- To increase tension, turn tension screw(s) clockwise using 5mm allen wrenches (L). **NOTE: Tighten screws to 50 in. • lb (5.6 N.M.) maximum torque.**
  - To reduce tension, turn tension screw(s) counter-clockwise using 5mm allen wrenches (L). **NOTE: Do not loosen more than half a turn.**



Instalación y montaje:

**Soporte articulador resistente a la corrosión para pantallas planas de 26" a 46" para uso en interiores y exteriores**

Modelos: ESA746PU, ESA746PU-S



Capacidad máxima de soportar carga por  
UL: 80 lb (36.3 kg)

**NOTA:** Lea la hoja de instrucciones completa antes de comenzar la instalación y el ensamblaje.

## ⚠ ADVERTENCIA

- No comience a instalar su producto de Peerless hasta haber leído y entendido las instrucciones y las advertencias contenidas en la Hoja de Instalación. Si tiene alguna pregunta acerca de cualquiera de las instrucciones o las advertencias, por favor, llame a Servicio al Cliente de Peerless al 1-800-865-2112 si está en EE. UU. Si es un cliente internacional, por favor, comuníquese con su distribuidor local.
- Este producto sólo debe ser instalado por una persona que tenga una buena aptitud mecánica, que tenga experiencia en construcción básica de edificios y que entienda estas instrucciones en su totalidad.
- Debido a condiciones ambientales, como grandes cantidades de nieve, granizo, lluvia, etc., el soporte y los accesorios se tienen que inspeccionar, por lo menos, una vez al año. Este producto no debe estar expuesto a fuertes vientos. Un instalador o inspector calificado debe revisar el soporte para detectar señales de oxidación, sujetadores sueltos, metales doblados, etc. Si se detectan señales de desgaste excesivo, deterioro o cualquier condición que no sea segura, se debe descontinuar el uso del producto de inmediato. Dirija todas sus preguntas a Servicio al Cliente, si tiene alguna.
- Asegúrese de que la superficie de apoyo sostendrá, con seguridad, la carga combinada del equipo y todos los fijadores y componentes.
- Nunca sobrepase la capacidad máxima de soportar carga aceptada. Vea la página 12.
- Si va a instalar el producto en una pared con montantes de madera, asegúrese de que los tornillos de montaje estén anclados en el centro de los montantes. Se recomienda utilizar un localizador de montantes de "borde a borde".
- Siempre cuente con la ayuda de un asistente o utilice un equipo mecánico de izar para levantar y colocar el equipo con más seguridad.
- Apriete los tornillos con firmeza, pero no en exceso. Apretarlos en exceso puede dañar los artículos y puede disminuir significativamente su fuerza de fijación.
- Este producto fue diseñado para ser instalado en paredes con la siguiente construcción solamente:

### CONSTRUCCIÓN DE LA PARED

- Montante de madera
- Viga de madera
- Concreto macizo
- Bloque de hormigón de escorias
- Montante de metal
- Ladrillo
- ¿Otra superficie o no está seguro?

### ACCESORIOS NECESARIOS

- Incluido
- Incluido
- Incluido
- Incluido
- No lo instale excepto con el juego de accesorios de Peerless para montantes de metal (no evaluados por UL)
- Comuníquese con un profesional calificado (no evaluados por UL)
- Comuníquese con un profesional calificado

## Herramientas necesarias para el ensamblaje

- localizador de montantes (se recomienda uno de "borde a borde")
- destornillador phillips
- broca de 5/16" (8 mm) para paredes de concreto y de bloque de hormigón de escorias
- broca de 5/32" (4 mm) para paredes con montantes de madera
- nivel

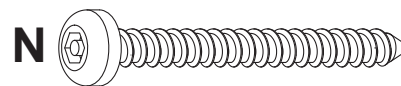
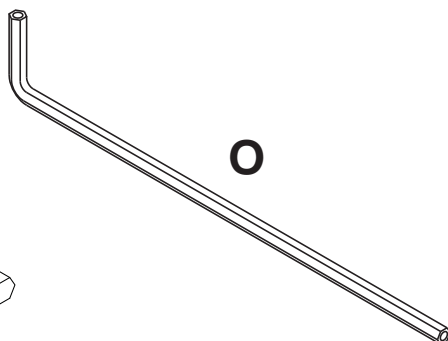
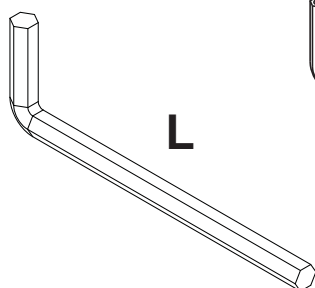
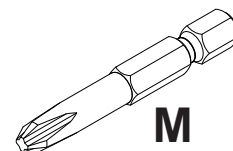
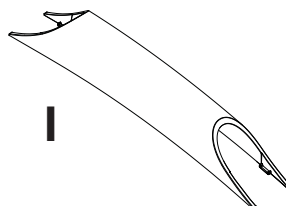
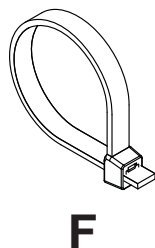
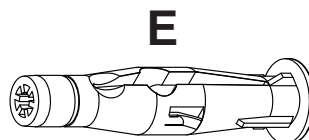
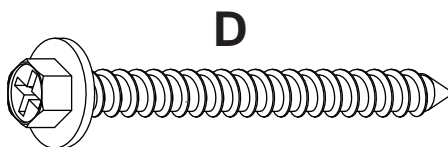
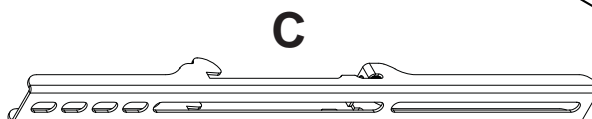
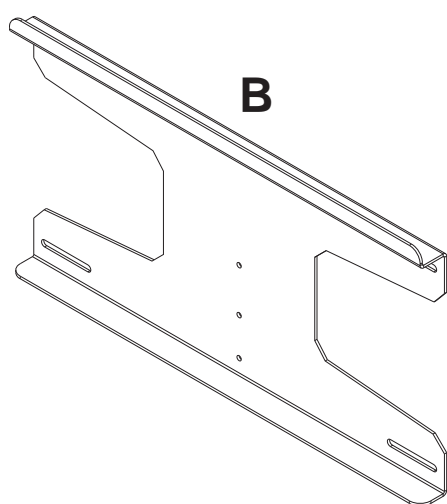
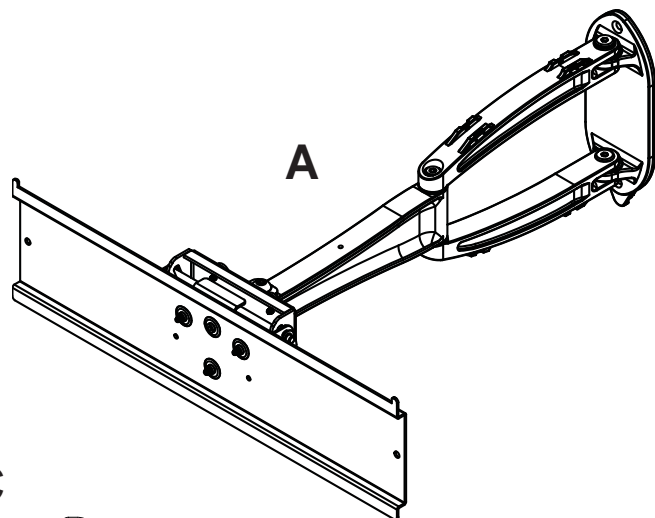
## Contenido

Lista de piezas.....	14
Instalación en una pared con montantes de madera .....	16
Instalación en una pared de concreto macizo o de bloques de hormigón de escorias.....	17

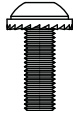
Antes de comenzar, asegúrese de que su producto incluye todas las piezas ilustradas.

Lista de Piezas		ESA746PU	
Descripción	Cant.	N° de pieza	
A soporte para pared	1	096-T1272	
B placa para pared	1	024-T1050	
C placa adaptadora	2	095-T1945	
D tornillo de cabeza plana para madera	3	520-D1033	
E anclajes de concreto	4	590-0320	
F Sujetacables	8	560-1756	
G Anclajes de los sujetacables	2	590-1290	
H tornillo phillips 8-32 x 1/4"	2	520-D1622	
I Cubiertas plásticas para los cables	2	590-P1323	
K tornillo Phillips de cabeza plana Nro. 10-32 x 1/4"	1	520-D1108	
L llave allen de 5mm	2	560-9640	
M broca de #3	1	560-0209	
N tornillo de seguridad para madera 2-1/2"	1	520-D1668	
O llave allen de seguridad de 4mm	1	560-9646	
P tornillos pasadores de cabeza hueca de 1/4-20 x 1/2"	2	520-D1069	

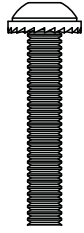
Las piezas podrían verse ligeramente diferentes a las ilustradas.



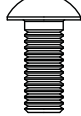
## Fijaciones para los soportes adaptadores



M4 x 12 mm (6)  
(510-D1079)



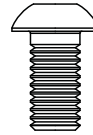
M4 x 25 mm (4)  
(510-D1082)



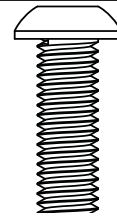
M5 x 12 mm (4)  
(520-D1064)



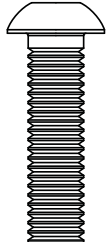
M5 x 25 mm (4)  
(520-D1122)



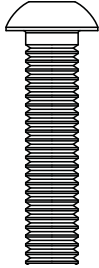
M6 x 12 mm (4)  
(520-D1050)



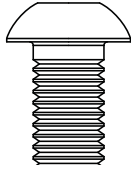
M6 x 20 mm (4)  
(520-D1554)



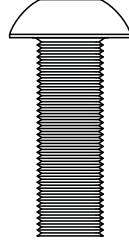
M6 x 25 mm (4)  
(520-D1211)



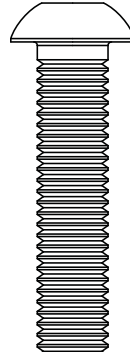
M6 x 30 mm (4)  
(520-D1067)



M8 x 12 mm (6)  
(520-D1068)



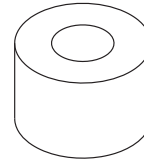
M8 x 25 mm (4)  
(520-D1101)



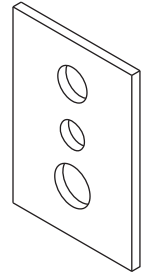
M8 x 40 mm (4)  
(520-D1152)



.5" espaciador (4)  
(540-1057)



.75" espaciador (4)  
(540-1059)



arandela múltiple (6)  
(580-1036)

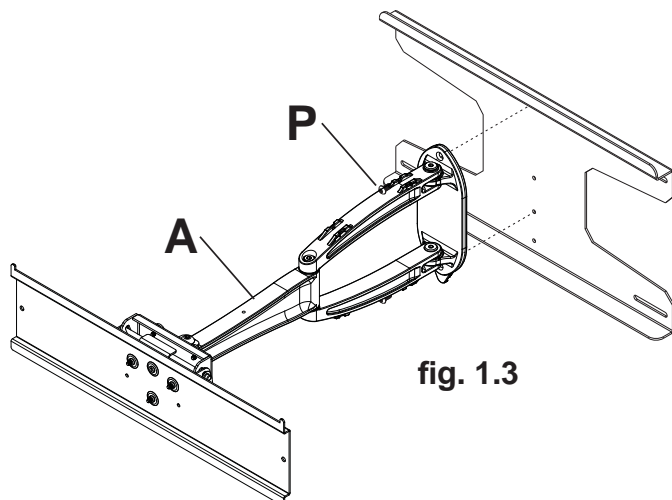
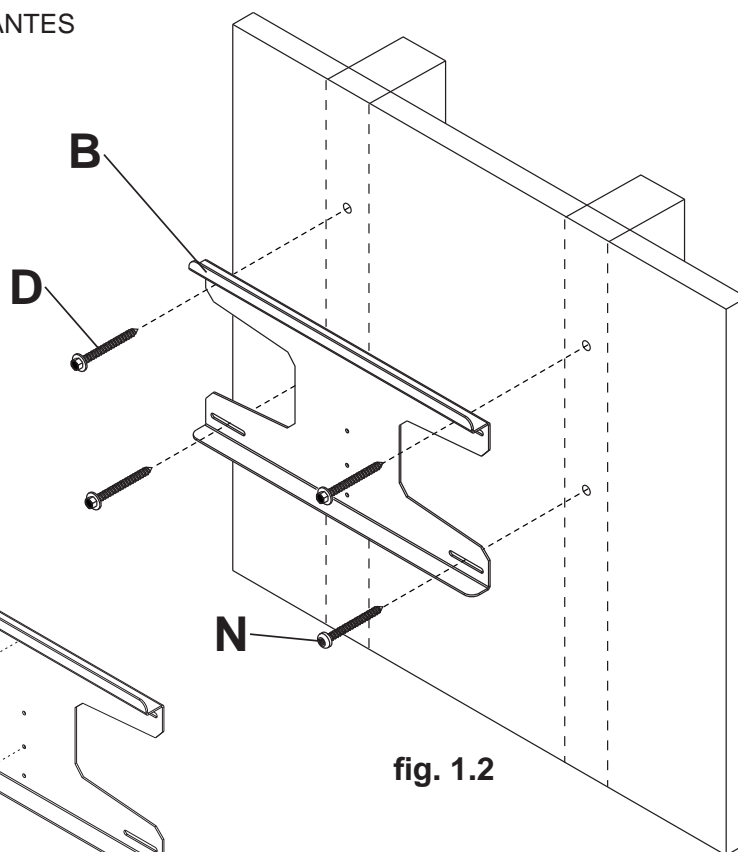
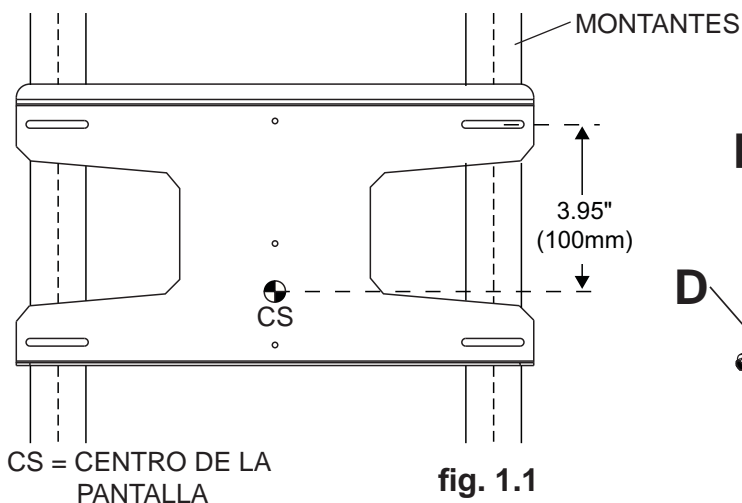
## Instalación en una pared con montantes de madera

### ⚠ ADVERTENCIA

- El instalador debe verificar que la superficie de apoyo sea capaz de soportar firmemente la carga combinada del equipo y todos los herrajes y componentes.
- Apriete los tornillos para madera de tal modo que la placa de apoyo quede firmemente sujeta, pero no apriete en exceso. El apriete excesivo puede dañar los tornillos, reduciendo enormemente su fuerza de fijación.
- Nunca apriete más de 80 pulg-lb (9 N•m).
- Asegúrese de que los tornillos de montaje queden bien fijos en el centro del montante. Se recomienda usar un localizador de montantes de "borde a borde".
- Los herrajes suministrados son para fijar el soporte a través de tabique de yeso-cartón o yeso de espesor estándar a los montantes de madera. Los instaladores son responsables de suministrar los herrajes para otros tipos de situaciones de montaje (no evaluados por UL).

**1** Utilizando un localizador de montantes, localice y marque los bordes del montante de madera utilizado para instalar el producto. Utilice la placa de pared (**B**) como plantilla para marcar el centro de cuatro los agujeros sobre la línea vertical. El agujero de montaje superior debe estar ubicado a 3.95" (100mm) encima del punto donde quiere que quede el centro de la pantalla, como se muestra en la figura 1.1. Taladre cuatro agujeros de 5/32" (4mm) de diámetro y 2.5" (64mm) de profundidad. Fije la placa de pared (**B**) en la pared usando tres tornillos para madera (**D**) y un tornillo de seguridad para madera (**N**), como se muestra en la figura 1.2. Nivele la placa de pared y apriete todos los sujetadores.

Fije el brazo de pared (**A**) en la placa de pared (**B**) usando dos tornillos pasadores de cabeza hueca de 1/4-20 x 1/2" (**P**), como se muestra en la figura 1.3.



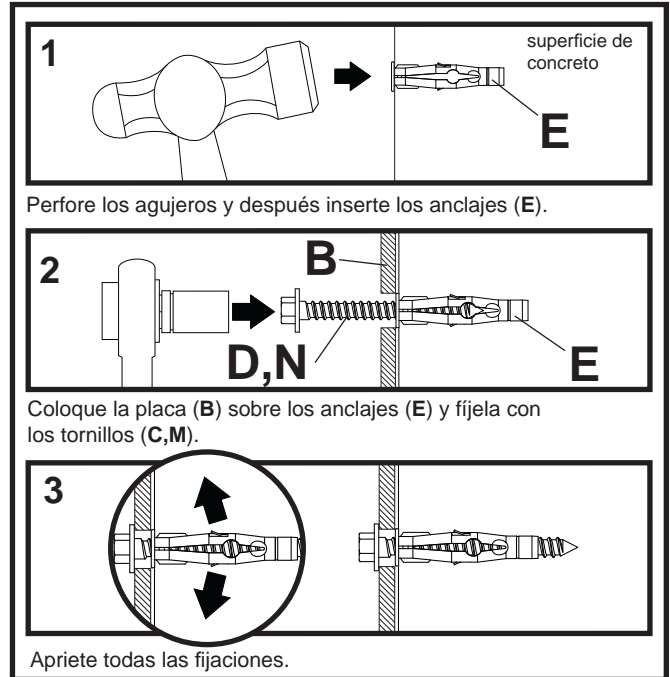


## ⚠ ADVERTENCIA

- Cuando instale soportes de pared Peerless en bloques de hormigón de escorias, verifique que tengan un mínimo de 1-3/8" (35 mm) de superficie efectiva de concreto en el agujero que va a utilizar para los anclajes de concreto. ¡No perforo en las juntas de mortero! Asegúrese de instalar el soporte en una parte sólida del bloque, generalmente a un mínimo de 1" (25 mm) del costado del bloque. El bloque de hormigón de escorias debe ser de conformidad con las especificaciones C-90 de ASTM. Se sugiere taladrar el agujero con un taladro eléctrico normal en velocidad lenta en vez de un taladro percutor para evitar romper la parte trasera del agujero al entrar en un espacio o cavidad.
- El concreto debe tener una densidad mínima de 2000 psi. Un concreto menos denso podría no ser capaz de sujetar el anclaje para concreto.
- El instalador debe verificar que la superficie de apoyo sea capaz de soportar firmemente la carga combinada del equipo y todos los herrajes y componentes.

**1** Utilice la placa de pared como plantilla para marcar el centro de los agujeros. El agujero de montaje superior debe estar ubicado a 3.95" (100mm) encima del punto donde quiere que quede el centro de la pantalla, como se muestra en la figura 1.1, de la página 16. Taladre cuatro agujeros de 5/16" (8mm) de diámetro a una profundidad mínima de 2.5" (64mm). Inserte los anclajes (E) en los agujeros. Fije la placa de pared (B) en la pared usando tres tornillos para madera (D) y un tornillo de seguridad para madera (N), como se muestra en la figura 1.4. Nivele la placa de pared y apriete todos los sujetadores.

Fije el brazo de pared (A) en la placa de pared (B) usando dos tornillos pasadores de cabeza hueca de 1/4-20 x 1/2" (P), como se muestra en la figura 1.3 de la página 16.



## ⚠ ADVERTENCIA

- Apriete los tornillos de tal modo que la placa de apoyo quede firmemente sujeta, pero no los apriete en exceso. El apriete excesivo puede dañar los tornillos, reduciendo enormemente su fuerza de fijación.
- Nunca apriete más de 80 pulg-lb (9 N•m).
- Siempre fije los anclajes de expansión directamente al concreto que soporta carga.
- Nunca fije los anclajes de expansión a una pared de concreto recubierta con yeso, tabiques de yeso-cartón u otro material de acabado. Si el montaje a superficies de concreto recubiertas con una superficie de acabado es inevitable (no evaluados por UL), será necesario escañar el acabado, como se muestra más abajo. Asegúrese de que los anclajes de concreto no se alejen del concreto al apretar los tornillos. Si el grosor de la pared de yeso/tabique de yeso-cartón es mayor que 5/8" (16 mm), el instalador deberá suministrar fijaciones especiales (no evaluados por UL).

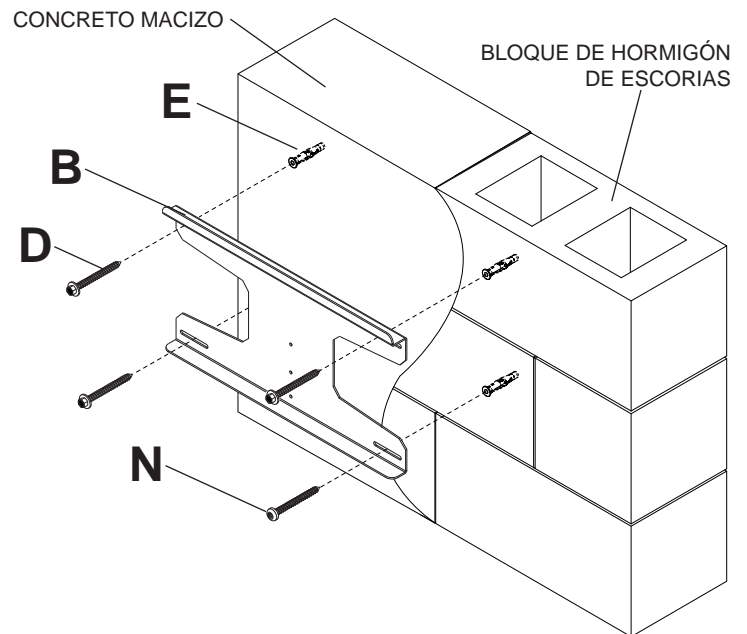
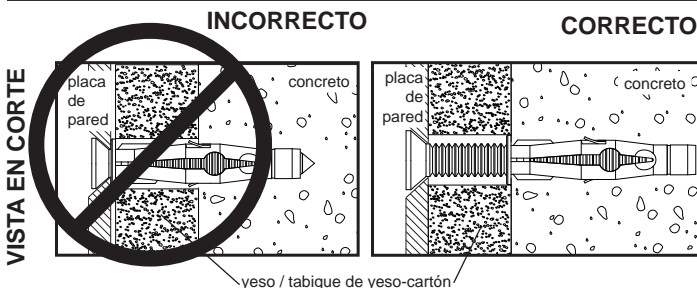


fig. 1.4

## Instalación de los soportes adaptadores

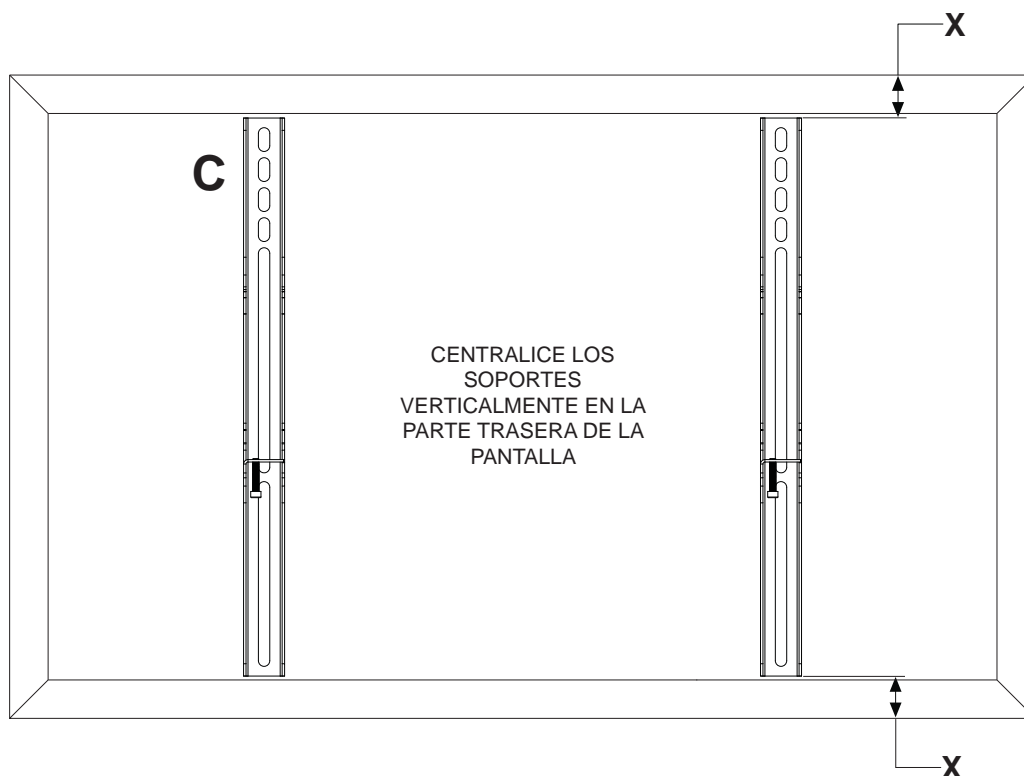
### ⚠ ADVERTENCIA

- Apriete los tornillos de tal modo que los soportes adaptadores queden firmemente sujetos. No apriete aplicando demasiada fuerza. El apriete excesivo puede causar daño por esfuerzo a los tornillos, reduciendo enormemente su fuerza de fijación y causando el posible desprendimiento de sus cabezas. Apriete los tornillos a 40 pulg-lb (4.5 N•m) de par torsor máximo.
- Si los tornillos no pueden atornillarse con tres vueltas completas en los insertos de la pantalla, o si los tornillos topan fondo y la placa todavía no está firmemente sujeta, se podría dañar la pantalla o causar la falla del producto.

**2** Para no rayar la pantalla, coloque un trapo sobre una superficie plana y nivelada que sostenga el peso de la pantalla. Coloque la pantalla boca abajo. Si la pantalla tiene perillas en la parte trasera, quíteselas para poder fijar los soportes adaptadores. Coloque los soportes adaptadores (**C**) en la parte trasera de la pantalla, alinéelos con los agujeros y centralícelos en la parte trasera de la pantalla, como se muestra abajo. Fije los soportes adaptadores en la parte trasera de la pantalla utilizando la combinación adecuada de tornillos, arandelas y espaciadores, como se muestra en la paso 2-1 o en la pasp 2-2.

**NOTA:** Siempre se tienen que usar los agujeros superiores y los inferiores.

Verifique que todos los agujeros estén debidamente alineados y luego apriete los tornillos usando un destornillador phillips.



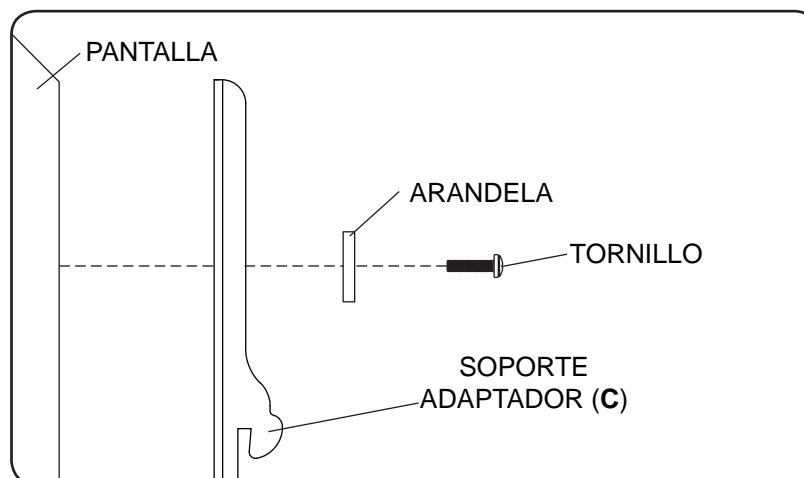
**NOTA:** Las dimensiones "X" deben ser iguales.

**NOTA:** En el caso de los televisores que tienen la **parte posterior plana**, pase al paso 2-1. En el caso de los televisores que tienen la **parte posterior abultada o empotrada**, pase al paso 2-2.

## Instalación de un televisor que tiene la parte posterior plana

- 2-1** Comience con uno de los tornillos más cortos, enrósquelo, con la mano, a través de la arandela y el soporte adaptador a la parte posterior de la pantalla, como se muestra abajo. El tornillo debe dar, por lo menos, tres vueltas completas dentro del agujero de instalación y debe quedar ajustado en su lugar. No apriete los tornillos en exceso. Si el tornillo no puede dar tres vueltas completas al entrar en la parte posterior de la pantalla, seleccione un tornillo más largo de los sujetadores identificados y clasificados en las divisiones del empaque plástico. Siga el mismo procedimiento con los agujeros de instalación restantes, nivele los soportes y apriete los tornillos.

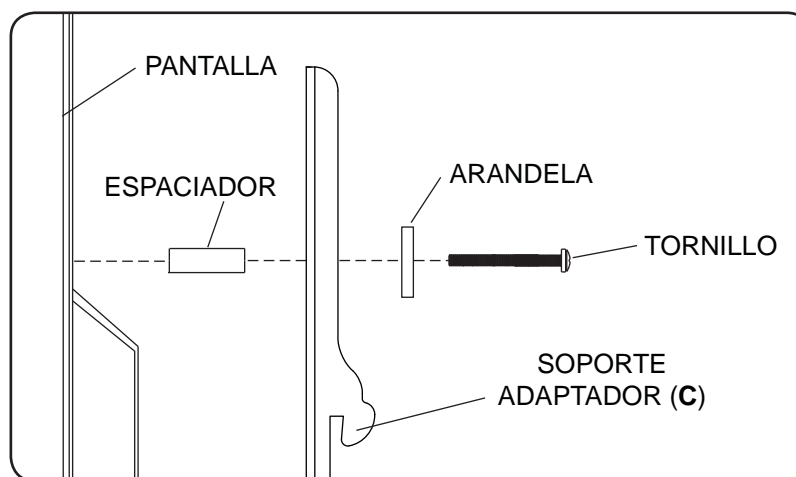
**NOTA:** Es posible que no necesite usar los espaciadores, dependiendo del tipo de pantalla.



Si tiene alguna pregunta, por favor, llame a servicio al cliente de Peerless al **1-800-729-0307**.

## Instalación de un televisor que tiene la parte posterior abultada o empotrada

- 2-2** Comience con uno de los tornillos más largos, enrósquelo, con la mano, a través de la arandela, el soporte adaptador y el espaciador, en ese orden, a la parte posterior de la pantalla, como se muestra abajo. El tornillo debe dar, por lo menos, tres vueltas completas dentro del agujero de instalación y debe quedar ajustado en su lugar. No apriete los tornillos en exceso. Si el tornillo no puede dar tres vueltas completas al entrar en la parte posterior de la pantalla, seleccione un tornillo más largo de los sujetadores identificados y clasificados en las divisiones del empaque plástico. Siga el mismo procedimiento con los agujeros de instalación restantes, nivele los soportes y apriete los tornillos.



Si tiene alguna pregunta, por favor, llame a servicio al cliente de Peerless al **1-800-729-0307**.

## Montaje y desmontaje de la pantalla plana

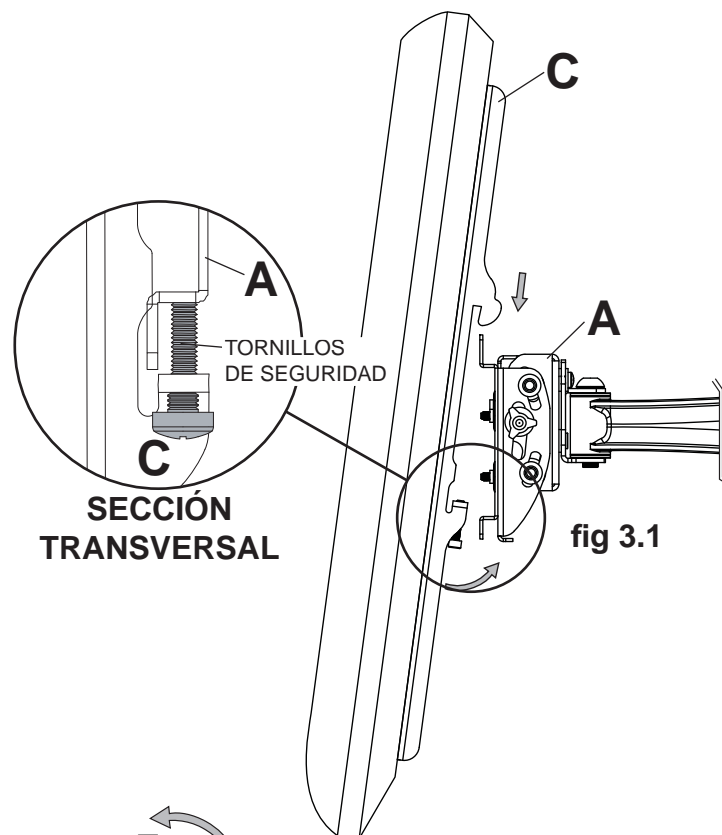
### ⚠ ADVERTENCIA

- Siempre cuente con un asistente o con un equipo mecánico de izar para levantar y colocar los televisores de pantalla plana con más seguridad.

**3** Enganche los soportes adaptadores (C) en la soporte de pared (A). **NOTA:** Los soportes adaptadores (C) debe estar centrado en la placa del adaptador (A) o el producto no funcione correctamente. Déles, por lo menos, seis vueltas a los tornillos de seguridad en el sentido del movimiento de las manecillas del reloj con una destornillador phillips para evitar que se pueda quitar la pantalla, como se muestra en la sección transversal de la figura 3.1.

**NOTA:** Para trabar la pantalla, apriete los tornillos de seguridad a la placa de pared, como se muestra en la sección transversal.

Para quitar la pantalla del soporte, afloje los tornillos de seguridad, gire la pantalla retirándola del soporte y levántela para sacarla del soporte.



### ATENCIÓN

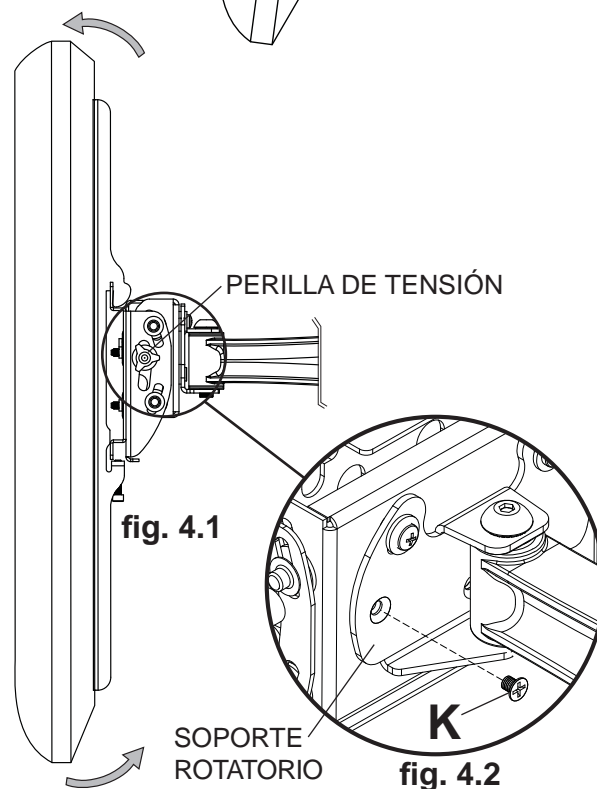
- No apriete los tornillos aplicando demasiada fuerza. El apriete excesivo podría dañar el soporte. Apriete los tornillos a 40 pulg-lb (4.5 N•m) de par torsor máximo.

**4** Sujete la pantalla con firmeza y afloje la perilla de tensión que se encuentra en el lado del soporte que se muestra en la figura 4.1 para ajustar la inclinación.

Ajuste la pantalla a la inclinación deseada (15° hacia delante, 5° hacia atrás), luego, vuelva a apretar la perilla de tensión.

**4-1** Gire la pantalla con la mano para nivelarla. El soporte rotatorio permite un ajuste de 2° de la rotación.

Inserte un tornillo phillips de cabeza plana de 10-32 x 1/4" (K) para trabar la posición de la pantalla, como se muestra en la figura 4.2.



### ATENCIÓN

- Tenga cuidado de no pincharse los dedos cuando extienda y recoja el soporte contra la pared.
- No apriete los tornillos con fuerza excesiva. Apretarlos en exceso puede dañar el soporte. Apriete los tornillos a un máximo de 40 pulg-lb (4.5 N•m) de par torsor.

## Manejo de cables

5 Fije el anclaje del sujetacables (G) a la parte superior o inferior del brazo de pared (A) utilizando un tornillo phillips de 8/32 x 1/4" (H), como se muestra en la figura 5.1. Fije los cables a la parte superior o inferior del brazo de pared (A) utilizando los sujetacables (F), como se muestra en la figura 5.2.

Pase los cables por dentro de las ranuras del brazo de pared (A). Asegure los cables en su lugar presionando las cubiertas de los cables (I) sobre el soporte, como se muestra en la figura 5.3. **NOTA:** Asegúrese de que la flecha del interior de las cubiertas para los cables (I) apunte hacia la pantalla, como se muestra en el detalle 1.

También, puede fijar los cables en la ranura de la parte inferior de la placa de pared utilizando un sujetacables (F), como se muestra abajo.

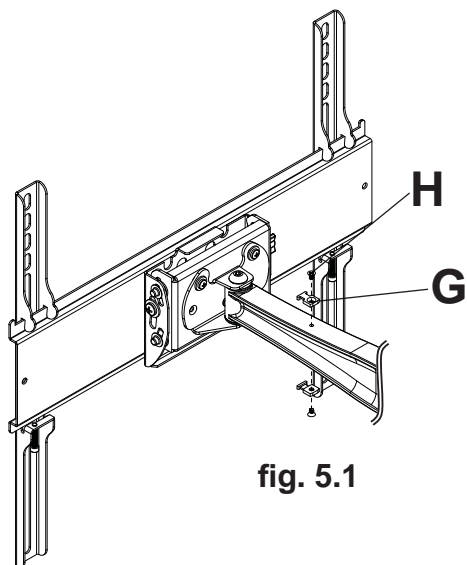


fig. 5.1

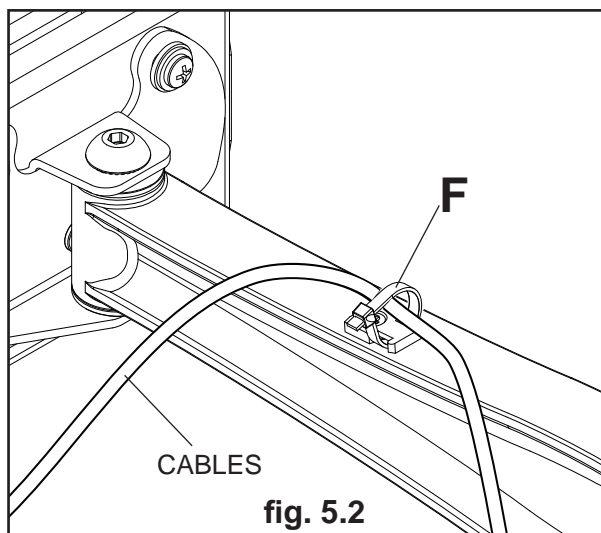


fig. 5.2

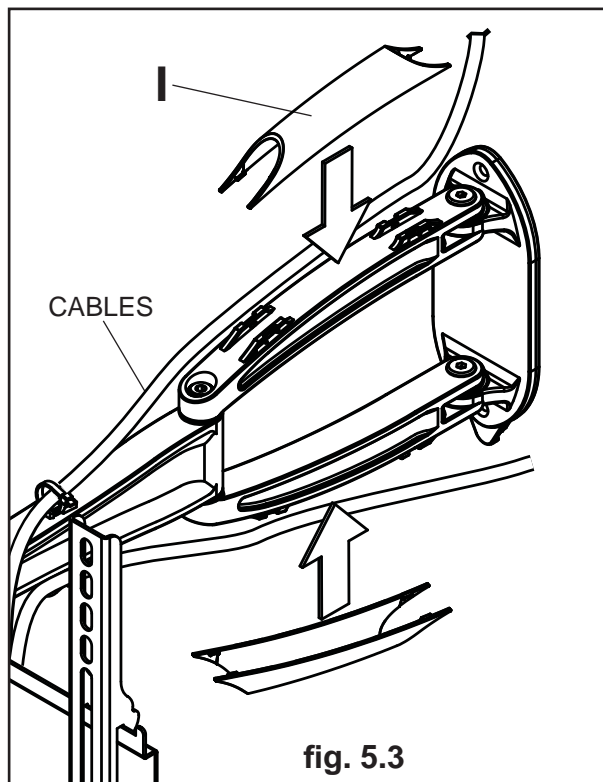
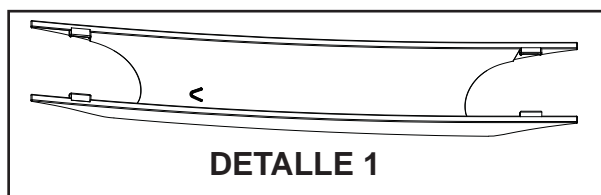
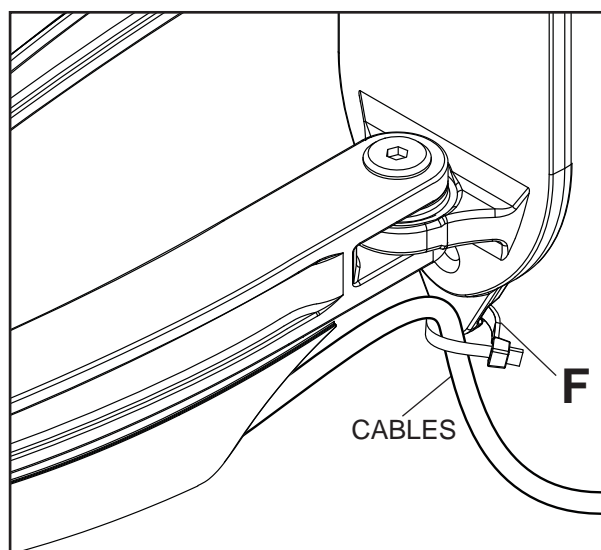


fig. 5.3



DETALLE 1

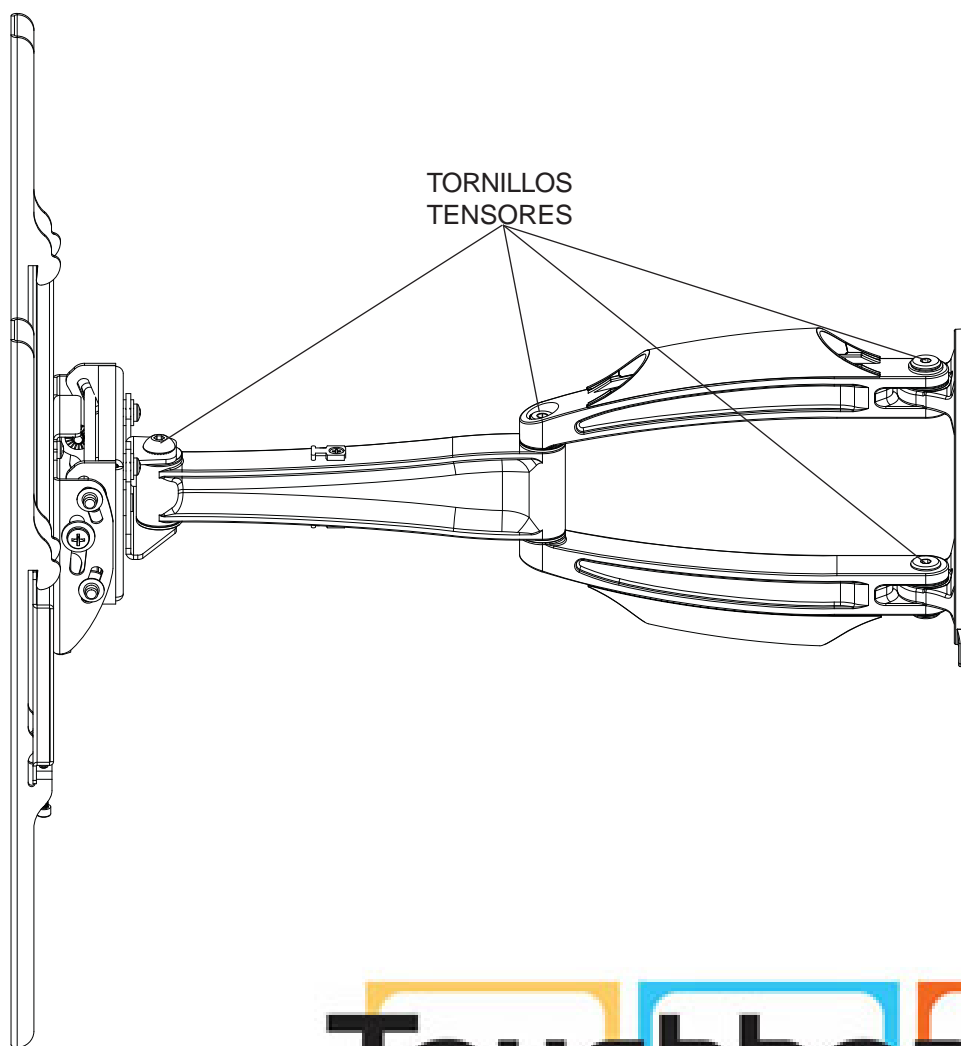


## Ajuste Tensor del Brazo

### ⚠ ADVERTENCIA

- No retire el tornillo ni lo afloje hasta que se haya desenganchado del soporte. Se podría caer la pantalla.
- Si los tornillos se aflojan con el tiempo, apriételes según sea necesario. Apriete los tornillos a un máximo de 50 pulg-lb (5.6 N•m) de par torsor.

- 6 Si desea aumentar o disminuir la tensión en los puntos de articulación del brazo, haga lo siguiente:
- Para aumentarla, gire el tornillo de cabeza hueca en sentido horario con la llave allen de 5mm (L).  
**NOTA: Apriete los tornillos a un máximo de 50 pulg-lb (5.6 N•m) de par torsor.**
  - Para reducirla, gire el tornillo de cabeza hueca en sentido contrahorario con la llave allen de 5mm (L).  
**NOTA: No lo gire más de media vuelta.**

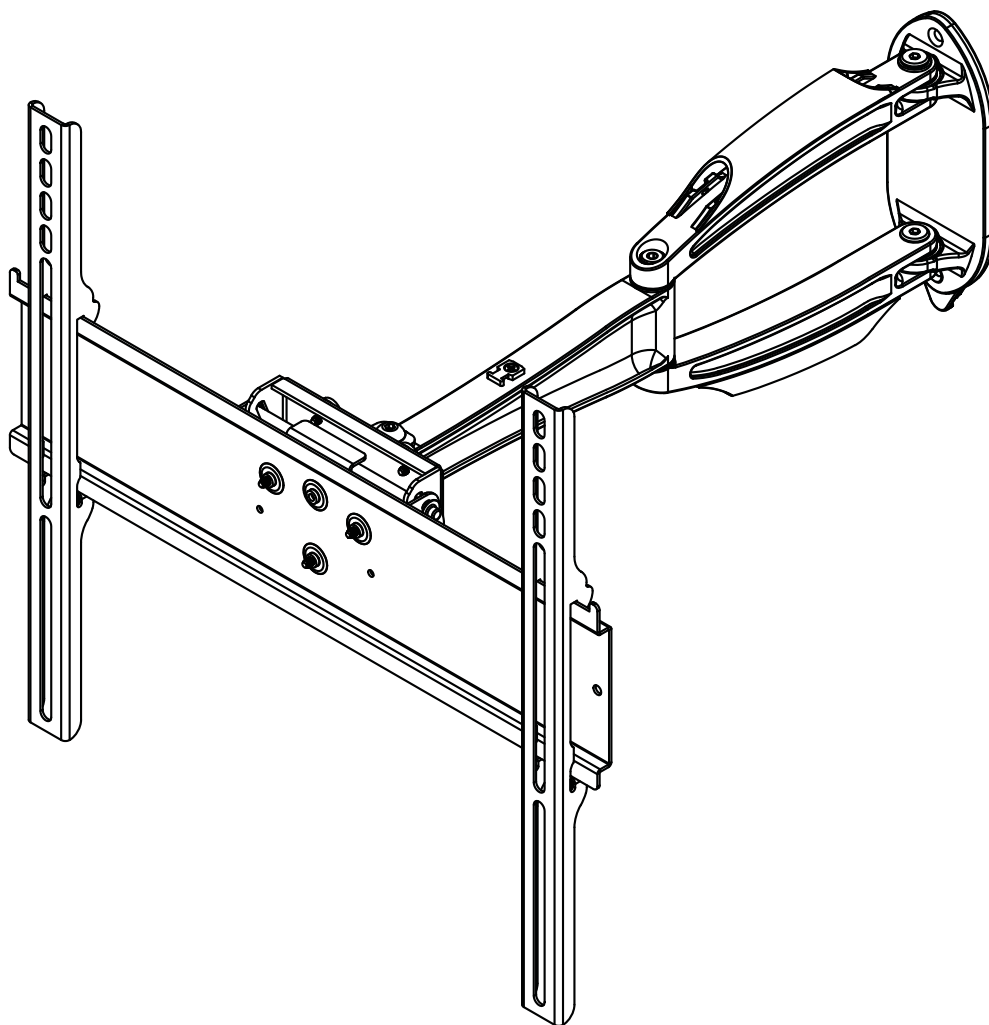


# Touchboards

205 Westwood Ave, Long Branch, NJ 07740  
 Phone: 866-94 BOARDS (26273) / (732)-222-1511  
 Fax: (732)-222-7088 | E-mail: sales@touchboards.com

Installation et assemblage :  
**Support articulé résistant à la corrosion pour écrans plats  
intérieurs ou extérieurs de 26 à 46 po**

Modèles : ESA746PU, ESA746PU-S



Capacité de charge maximale  
par l'UL établie: 80 lb (36.3 kg)



**REMARQUE:** lisez entièrement la fiche d'instructions avant de commencer l'installation et l'assemblage.

## **⚠ AVERTISSEMENT**

- Ne commencez pas à installer votre produit Peerless avant d'avoir lu et assimilé les instructions et les avertissements contenus dans cette fiche d'installation. Pour toute question concernant les instructions ou les avertissements, veuillez appeler le service à la clientèle de Peerless au 1-800-865-2112; tous les clients internationaux sont priés de contacter leur distributeur local.
- Ce produit doit être installé uniquement par quelqu'un possédant une bonne aptitude à la mécanique, une expérience de la construction immobilière et ayant bien compris ces instructions.
- En raison des conditions de température extérieure telles que neige abondante, grêle, pluie, etc., le support et les pièces de fixation à l'épreuve des intempéries doivent être inspectés au moins une fois par année. Ce produit ne doit pas être exposé à des vents forts. Un installateur ou un inspecteur qualifié doit vérifier les signes de rouille, de fixations desserrées, de métal tordu, etc. Si l'inspection révèle une usure excessive, une détérioration ou un danger quelconque, ce produit doit être mis hors service immédiatement. Pour toute question, veuillez vous adresser au service à la clientèle.
- Assurez-vous que la surface de support puisse soutenir sans danger la charge totale de l'équipement ainsi que des pièces et composants qui y sont attachés.
- Ne dépassez jamais la capacité de charge maximum établie par l'UL. Reportez-vous à la page 23.
- Lors d'une installation sur un mur à montants en bois, assurez-vous que les vis de montage sont ancrées au centre des montants. L'utilisation d'un localisateur de montants « bord à bord » est fortement recommandée.
- Pour lever et positionner l'équipement en toute sécurité, faites-vous toujours aider par une autre personne ou utilisez un dispositif de levage mécanique.
- Serrez fermement les vis, mais sans excès. Un serrage excessif peut endommager les composants et en réduire considérablement la capacité de support.
- Ce produit a été conçu uniquement pour une installation sur les types de murs ci-dessous :

### **TYPE DE MUR**

### **PIÈCES DE FIXATION REQUISES**

- |                                   |  |
|-----------------------------------|--|
| • Montant en bois                 | Incluses   |
| • Poutre en bois                  | Incluses   |
| • Béton plein                     | Incluses   |
| • Bloc de béton de mâchefer       | Incluses   |
| • Montant métallique              | Ne pas installer sur ce type de mur sauf à l'aide de l'ensemble d'accessoires Peerless pour montants métalliques (non évalué UL) |
| • Brique                          | Contacteur un professionnel qualifié (non évalué UL)   |
| • Autre, ou vous n'êtes pas sûr ? | Contacteur un professionnel qualifié   |

## **Outils nécessaires au montage**

- localisateur de montants (un localisateur de montants « bord à bord » est recommandé)
- tournevis phillips
- foret de 5/32 po (4 mm) pour les murs à montants en bois
- foret de 5/16 po (8 mm) pour les murs à block de béton
- niveau

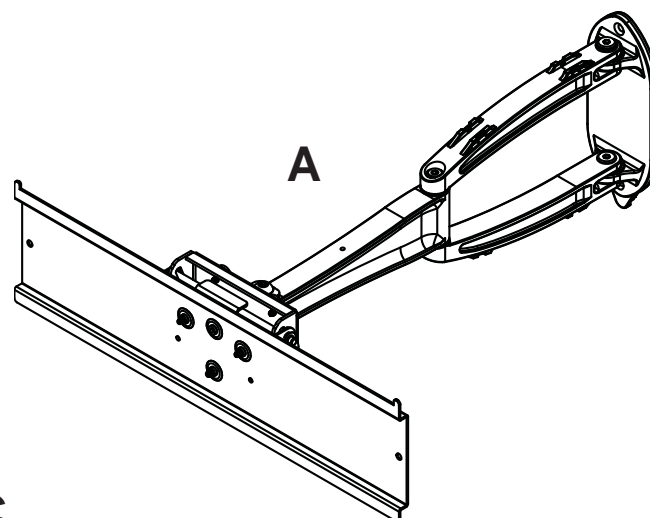
## **Tabla de contenido**

Lista de piezas.....	25
Installation sur un mur a simple montant en bois .....	27
Installation sur du béton plein ou un bloc de béton de mâchefer .....	28

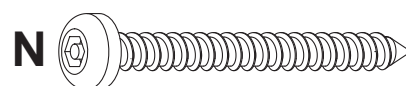
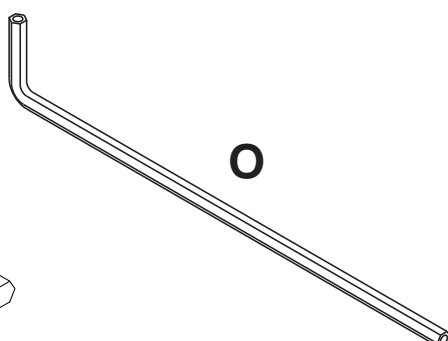
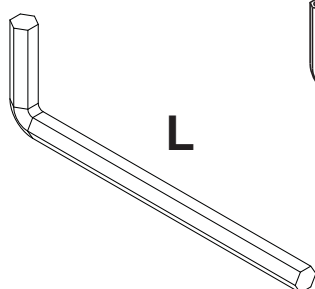
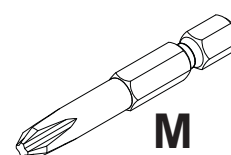
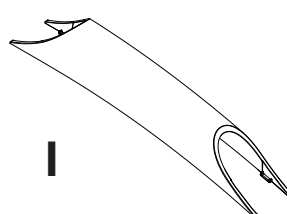
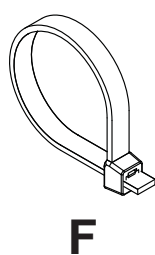
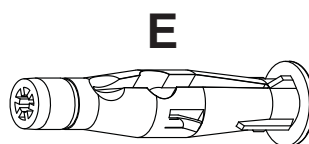
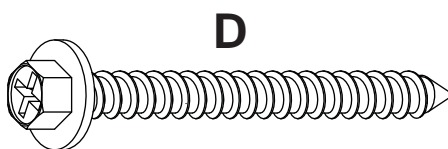
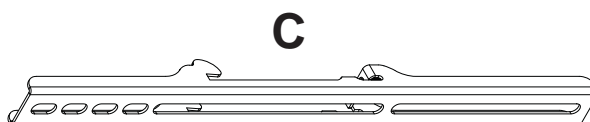
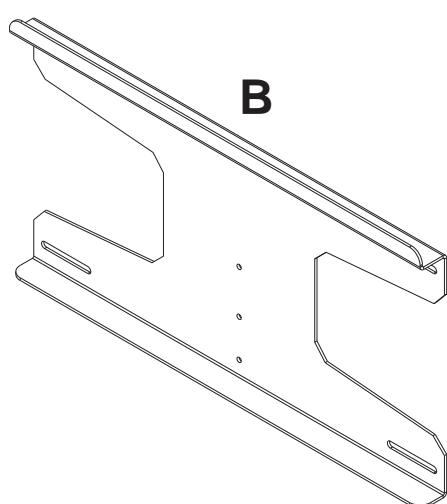


Avant de commencer, assurez-vous que toutes les pièces indiquées sont incluses avec le produit.

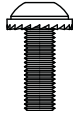
Liste des pièces		ESA746PU	
Description	Qté.	N° de pièce	
A monture murale	1	096-T1272	
B	1	024-T1050	
C plaque d'adaptation	2	095-T1945	
D vis à bois	3	520-D1033	
E chevilles d'anrage	4	590-0320	
F Attaches de câble	8	560-1756	
G Ancrages des attaches de câble	2	590-1290	
H Vis cruciforme 8-32 x 1/4"	2	520-D1622	
I Cache-câbles en plastique	2	590-P1323	
K Vis cruciforme à tête plate no 10-32 x 1/4 po	1	520-D1108	
L hexagonale de 5 mm	2	560-9640	
M Foret de #3	1	560-0209	
N vis à bois de sécurité 2-1/2 po	1	520-D1668	
O hexagonale de 4mm sécurité	1	560-9646	
P vis à tête creuse 1/4-20 x 1/2 po	2	520-D1069	



Il est possible que les pièces semblent légèrement différentes de celles illustrées ici.



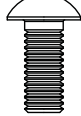
## Fixations des supports adaptateurs



M4 x 12 mm (6)  
(510-D1079)



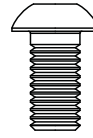
M4 x 25 mm (4)  
(510-D1082)



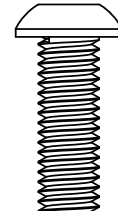
M5 x 12 mm (4)  
(520-D1064)



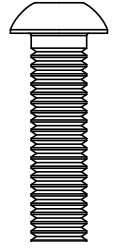
M5 x 25 mm (4)  
(520-D1122)



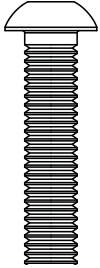
M6 x 12 mm (4)  
(520-D1050)



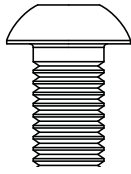
M6 x 20 mm (4)  
(520-D1554)



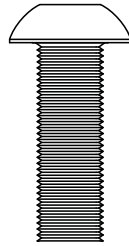
M6 x 25 mm (4)  
(520-D1211)



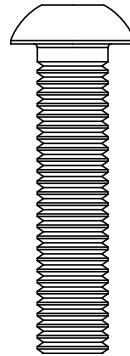
M6 x 30 mm (4)  
(520-D1067)



M8 x 12 mm (6)  
(520-D1068)



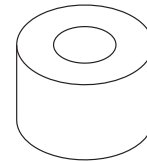
M8 x 25 mm (4)  
(520-D1101)



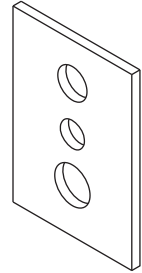
M8 x 40 mm (4)  
(520-D1152)



.5 po entretoise (4)  
(540-1057)



.75 po entretoise (4)  
(540-1059)



rondelle tout usage (6)  
(580-1036)

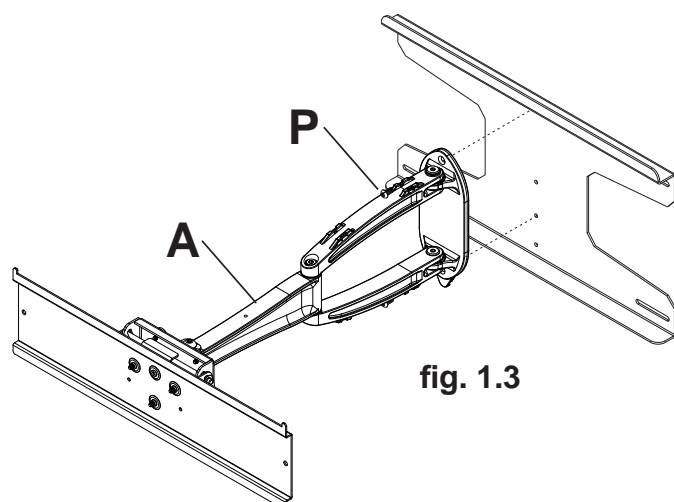
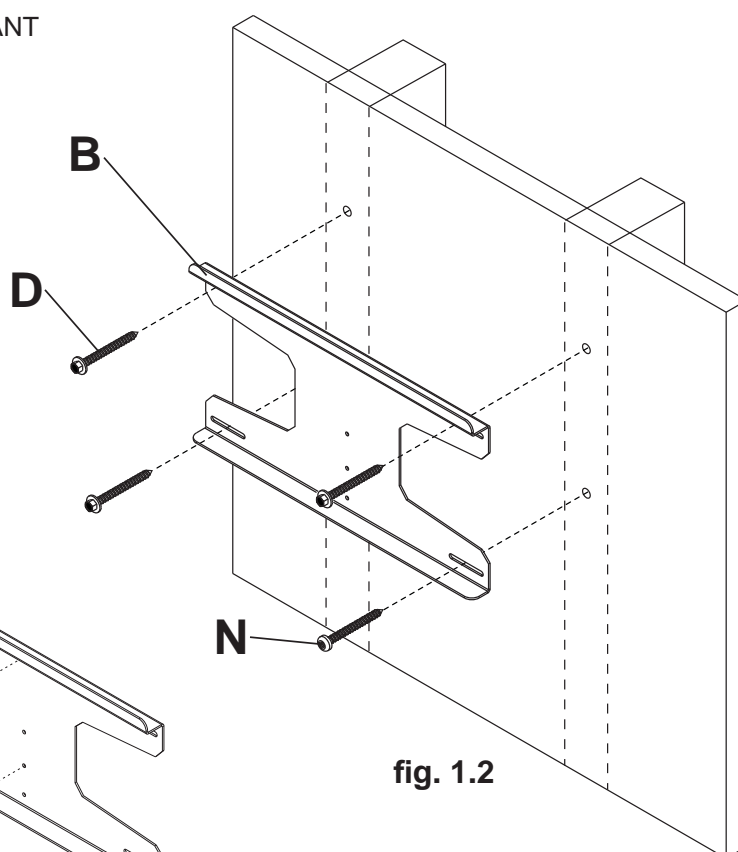
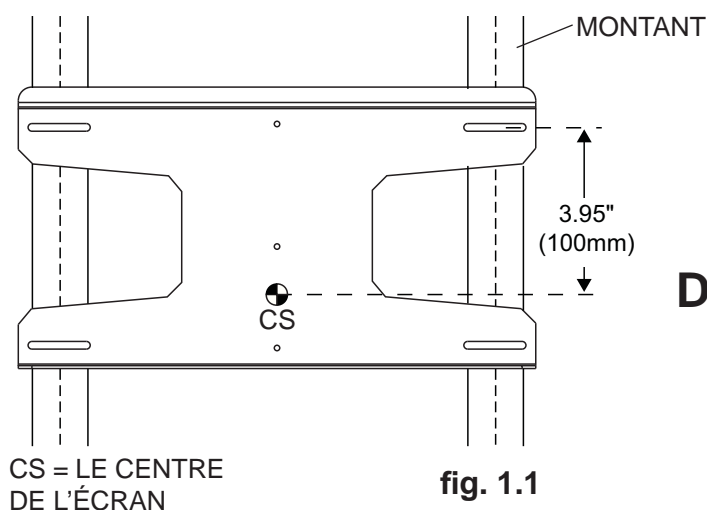
## Installation sur un mur à montant en bois

## ▲ AVERTISSEMENT

- L'installateur doit s'assurer que la surface de support pourra soutenir sans danger la charge combinée de l'équipement, de toute sa visserie et de tous ses composants.
- Serrez les vis à bois de manière que la plaque murale soit fermement fixée, mais sans excès. Un serrage excessif peut endommager les vis et en réduire considérablement le pouvoir de maintien.
- Ne serrez jamais à plus de 9 Nm (80 po-lb).
- Assurez-vous que les vis de montage sont ancrées au centre des montants. L'usage d'un localisateur de montants « bord à bord » est fortement conseillé.
- La visserie est fournie pour fixer la monture à travers une cloison sèche ou du plâtre d'épaisseur standard et dans des montants en bois. Il appartient aux installateurs de fournir la visserie nécessaire pour d'autres types de situations (non évalué UL).

**1** À l'aide d'un localisateur de montants, repérez et marquez les bords des montants en bois utilisés pour monter ce produit. Utilisez un niveau pour tracer une ligne verticale le long du centre du montant. Le trou de montage supérieur doit être situé à 3,95 po (100mm) au-dessus de l'endroit souhaité pour le centre de l'écran comme illustré à la figure 1.1. Percez deux trous de 4 mm (5/32 po) de diamètre et de 64 mm (2,5 po) de profondeur. Fixez la plaque murale (**B**) au mur à l'aide de trois vis à bois (**D**) et d'une vis à bois de sécurité (**N**) comme illustré à la fig. 1.2. Mettez la plaque murale à niveau, puis serrez toutes les fixations.

Fixez le bras mural (**A**) à la plaque murale (**B**) à l'aide de deux vis à tête creuse 1/4-20 x 1/2 po (**P**) comme illustré à la figure 1.3.

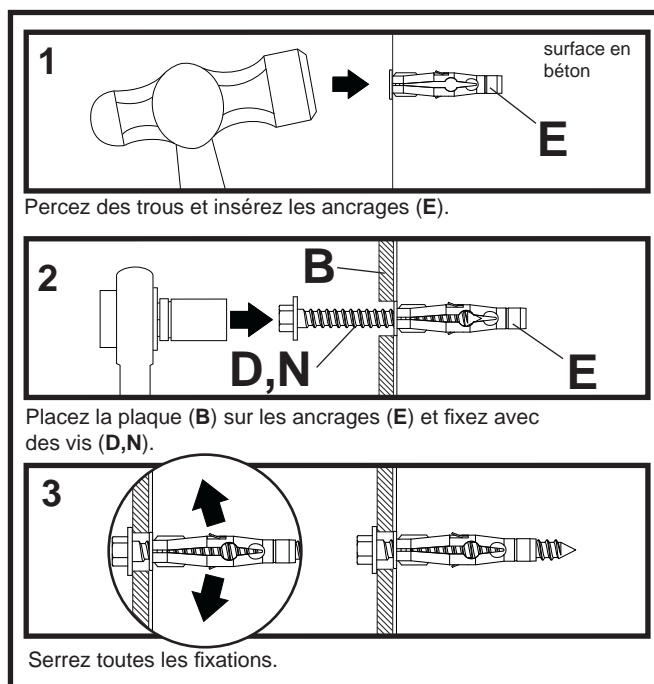


# Installation sur du béton plein ou un bloc de béton de mâchefer

## ⚠ AVERTISSEMENT

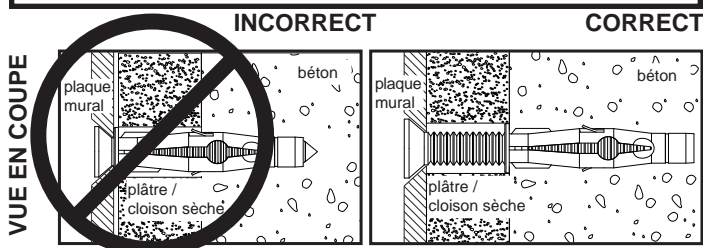
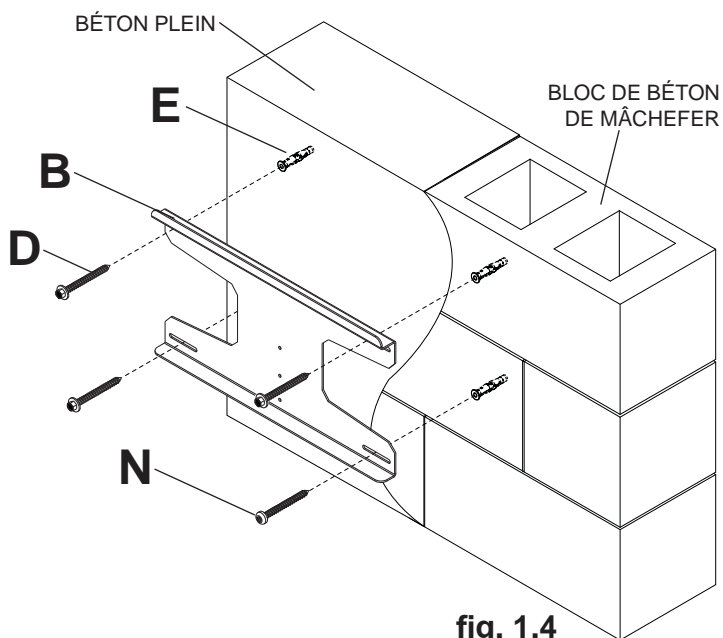
- Si vous installez des montures murales Peerless sur un bloc de béton de mâchefer, vérifiez que vous disposez d'une épaisseur de béton d'au moins 35 mm (1 3/8 po) dans le trou destiné aux ancrages de béton. Ne percez pas dans les joints de mortier ! Veillez à effectuer le montage dans une partie pleine du bloc, généralement à au moins 25 mm (1 po) du côté du bloc. Le bloc de béton de mâchefer doit être conforme aux spécifications de l'ASTM C-90. Pour percer le trou, il est conseillé d'utiliser une perceuse électrique standard sur un réglage bas au lieu d'un marteau perforateur, afin d'éviter de briser la partie arrière du trou lorsque vous pénétrez un vide ou une cavité.
- Le béton doit avoir une densité minimum de 2 000 psi. Un béton de densité moindre risquerait de ne pas retenir un ancrage de béton.
- Assurez-vous que la surface de support pourra soutenir sans danger la charge combinée de l'équipement, de toute sa visserie et de tous ses composants.

- 1** Utilisez la plaque murale comme gabarit pour marquer le centre des trous. Le trou de montage supérieur doit être situé à 3,95 po (100mm) au-dessus de l'endroit souhaité pour le centre de l'écran comme illustré à la figure 1.1 en page 27. Percez quatre trous de 5/16 po (8mm) de dia. à une profondeur minimale de 2,5 po (64mm). Insérez les chevilles d'ancrage (E) dans les trous. Fixez la plaque murale au mur à l'aide de trois vis à bois (D) et d'une vis à bois de sécurité (N) comme illustré à la fig. 1.4. Mettez la plaque murale à niveau, puis serrez toutes les fixations.
- Fixez le bras mural (A) à la plaque murale (B) à l'aide de deux vis à tête creuse 1/4-20 x 1/2 po (P) comme illustré à la figure 1.3 en page 27.



## ⚠ AVERTISSEMENT

- Serrez les vis de manière que la plaque murale soit fermement fixée, mais sans excès. Un serrage excessif peut endommager les vis et en réduire considérablement le pouvoir de maintien.
- Ne serrez jamais à plus de 9 Nm (80 po-lb).
- Fixez toujours des ancrages de béton directement sur du béton porteur.
- Ne fixez jamais d'ancrages sur du béton recouvert de plâtre, une cloison sèche ou autre matériau de finition. Si vous ne pouvez pas éviter d'effectuer le montage sur du béton recouvert d'une surface de finition, celle-ci doit être chambrée (non évalué UL), comme indiqué cidessous. Assurez-vous que les ancrages de béton ne se séparent pas du béton lorsque vous serrez les vis. Si l'épaisseur du plâtre / de la cloison sèche dépasse 16 mm (5/8 po), des fixations adaptées devront être fournies par l'installateur (non évalué UL).



## Installation des supports adaptateurs

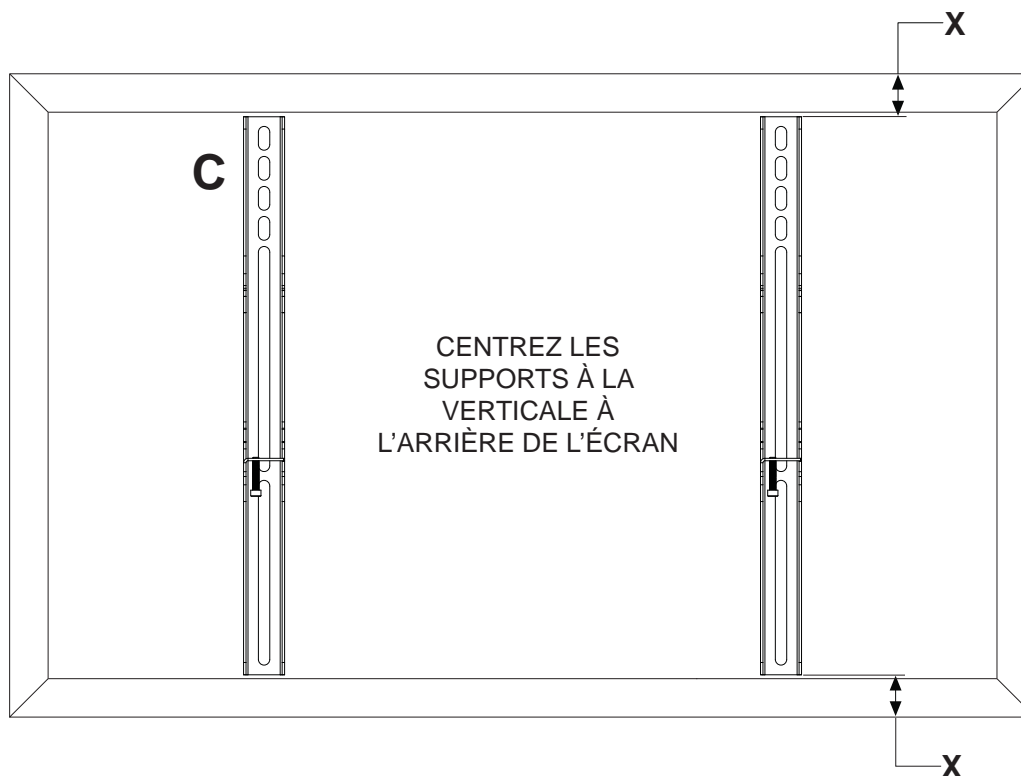
### ⚠ AVERTISSEMENT

- Serrez les vis de manière à fixer solidement les supports adaptateurs. N'employez pas une force excessive pour ce faire. Un serrage excessif peut causer des contraintes risquant d'endommager les vis, de réduire considérablement leur pouvoir de maintien et d'en détacher les têtes. Serrez les vis à un couple maximum de 4,5 Nm (40 po-lb).
- Si les vis ne sont pas enfoncées de trois tours complets dans les inserts ou si elles sont serrées au maximum sans parvenir à maintenir solidement le support, l'écran peut être abîmé ou le produit détérioré.

**2** Afin d'éviter de rayer l'écran, posez un morceau de tissu sur une surface plane et de niveau qui peut supporter le poids de l'écran. Déposez l'écran à plat, tourné vers le bas. Si l'écran possède des boutons à l'arrière, enlevez-les pour pouvoir attacher les supports adaptateurs. Placez les supports adaptateurs (**C**) à l'arrière de l'écran, alignez-les sur les trous et centrez-les sur l'arrière de l'écran, comme illustré ci-dessous. Fixez les supports adaptateurs à l'arrière de l'écran à l'aide des vis, rondelles et entretoises appropriées, comme illustré sur en l'étape 2-1 ou 2-2.

**REMARQUE:** Les trous supérieurs et inférieurs de l'écran doivent toujours être utilisés.

Veillez à ce que tous les trous soient bien alignés, puis serrez les vis à l'aide d'une cle.



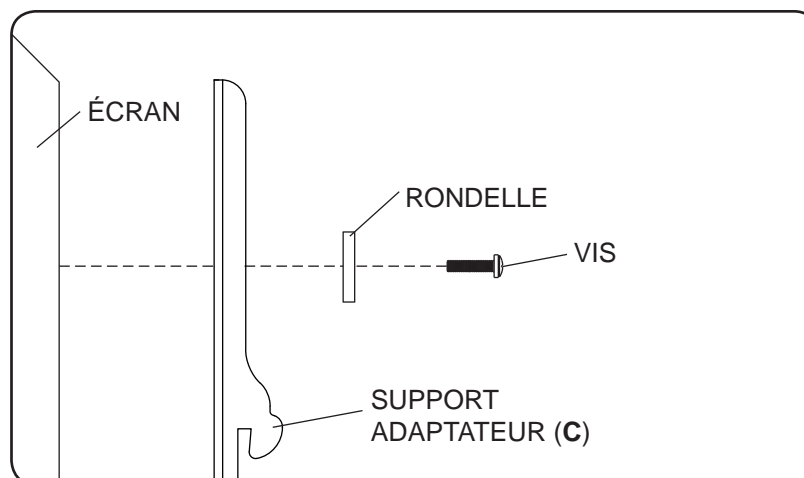
**REMARQUE:** les dimensions de « X » doivent être égales.

**REMARQUE:** Pour les écrans à dos plat, exécutez l'étape 2-1. Pour les écrans à dos convexes ou concaves, passez à l'étape 2-2.

## Pour les écrans à dos plat

- 2-1** Commencez par la vis la plus courte et vissez-la manuellement à l'écran en la faisant passer à travers la rondelle et le support adaptateur, comme indiqué ci-dessous. La vis doit effectuer au moins trois tours complets dans le trou de fixation et tenir solidement en place. Ne pas trop serrer. S'il est impossible d'effectuer trois tours de vis complets, choisissez une vis plus longue dans le jeu de fixations à compartiments. Répétez pour le reste des trous de fixation, mettez les supports à niveau et resserrez les vis.

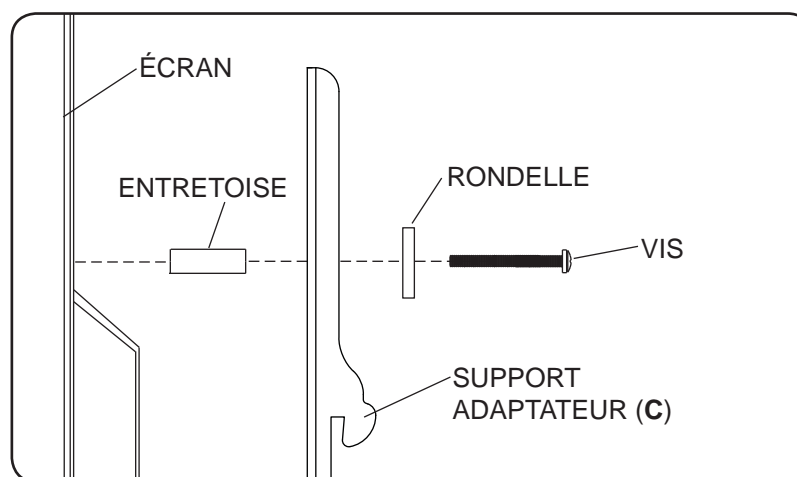
**REMARQUE:** Il n'est pas toujours nécessaire d'utiliser des entretoises, selon le type d'écran.



Pour toute question, veuillez appeler le service à la clientèle de Peerless au **1-800-865-2112**.

## Pour un écran à dos convexe ou concave

- 2-2** Commencez par la vis la plus longue et vissez-la manuellement à l'écran en la faisant passer à travers la rondelle, le support adaptateur et l'entretoise comme indiqué ci-dessous. La vis doit effectuer au moins trois tours complets dans le trou de fixation et tenir solidement en place. Ne pas trop serrer. S'il est impossible d'effectuer trois tours de vis complets, choisissez une vis plus longue dans le jeu de fixations à compartiments. Répétez pour le reste des trous de fixation, mettez les supports à niveau et resserrez les vis.



Pour toute question, veuillez appeler le service à la clientèle de Peerless au **1-800-865-2112**.

## Montage et demontage d'un écran plat

### ⚠ AVERTISSEMENT

- Pour lever et positionner l'écran plasma en toute sécurité, faites-vous toujours aider par une autre personne ou utilisez un matériel de levage mécanique.

**3** Accrochez les supports adaptateurs (C) à le adaptateur mural (A). **REMARQUE** : Les supports adaptateurs (C) doit être centré sur la plaque adaptatrice (A) ou d'un produit peut ne pas fonctionner correctement. Tournez les vis de sûreté/sécurité à l'aide d'une tournevis phillips au moins six fois dans le sens horaire pour éviter le retrait de l'écran comme illustré dans la coupe transversale de la fig. 3.1.

**REMARQUE** : Pour verrouiller l'écran vers le bas, serrez les vis de sûreté/sécurité à la plaque murale comme illustré dans la coupe transversale. Pour retirer l'écran du support, desserrez les vis de sûreté/sécurité, faites pivoter l'écran hors du support et soulevez-le.

### ATTENTION

- N'employez pas une force excessive pour serrer les vis. Un serrage excessif peut endommager la monture. Serrez les vis à un couple maximum de 4,5 Nm (40 po-lb).

**4** Tenez fermement l'écran et desserrez le bouton de tension situé sur le côté du support comme illustré à la figure 4.1 afin de pouvoir l'incliner.

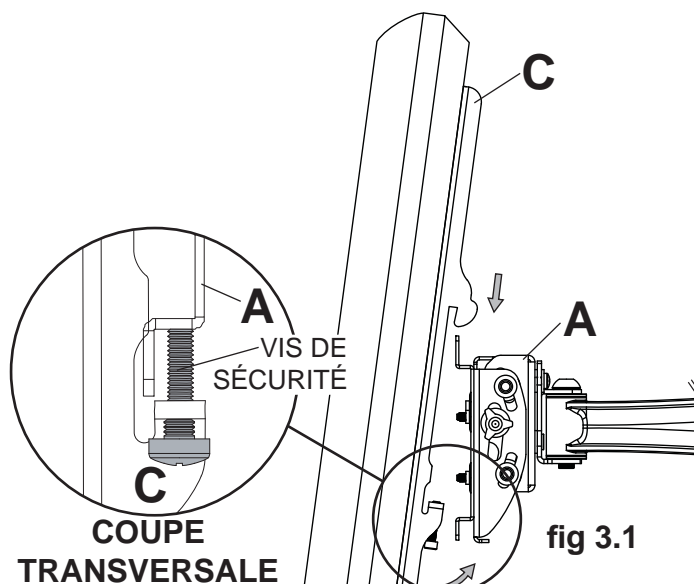
Réglez l'écran dans la position d'inclinaison souhaitée (15° vers l'avant, 5° vers l'arrière), puis resserrez le bouton de tension.

**4-1** Faites pivoter l'écran à la main pour le mettre de niveau. Le supporte rotatorio permite lateral permet un réglage du pivotement latéral sur 2°.

Insérez une vis Phillips à tête plate no 10-32 x 1/4 po (K) pour bloquer l'écran en place comme illustré à la figure 4.2.

### ATTENTION

- Prenez garde à ne pas vous pincer les doigts lorsque vous poussez l'écran depuis le bas.
- N'employez pas une force excessive pour serrer les vis. Un serrage excessif peut endommager le support. Serrez les vis à un couple maximum de 4,5 Nm (40 po-lb).



COUPE TRANSVERSALE

fig 3.1

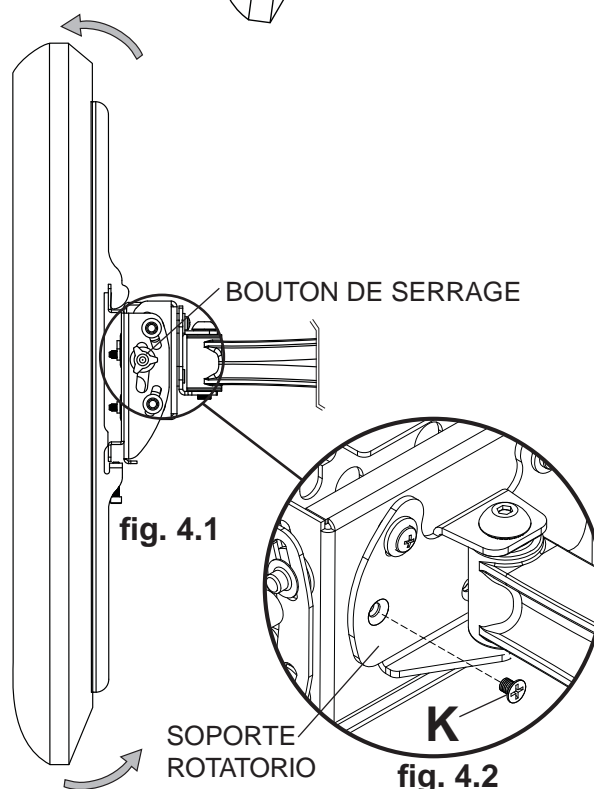


fig. 4.1

fig. 4.2

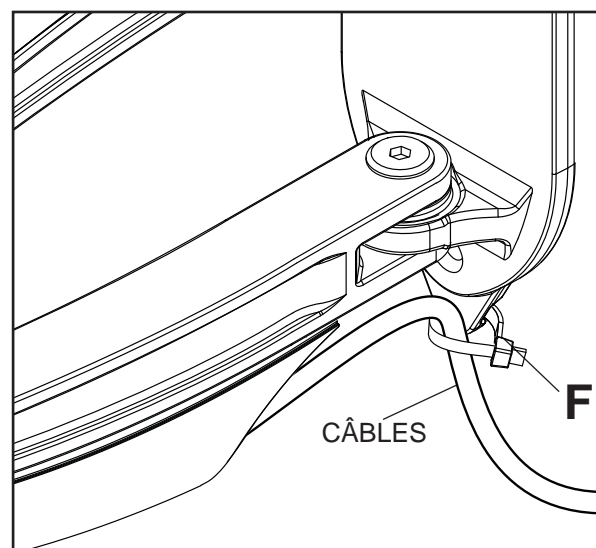
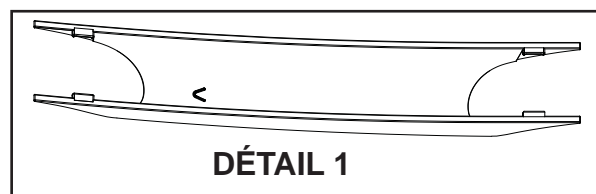
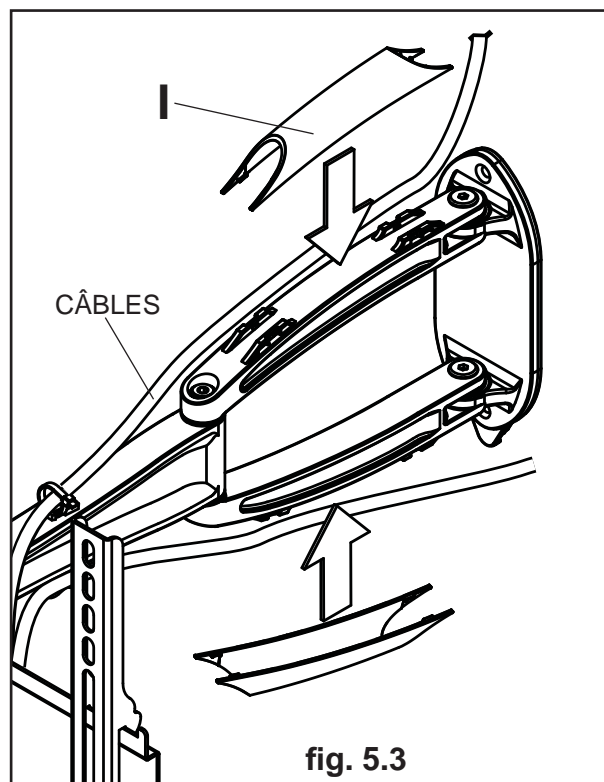
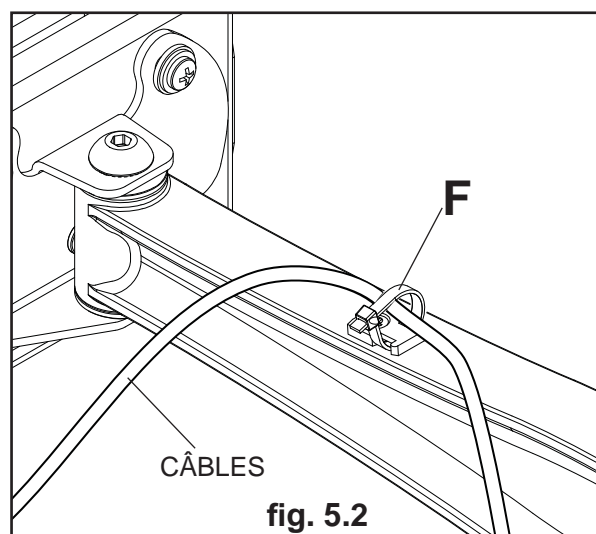
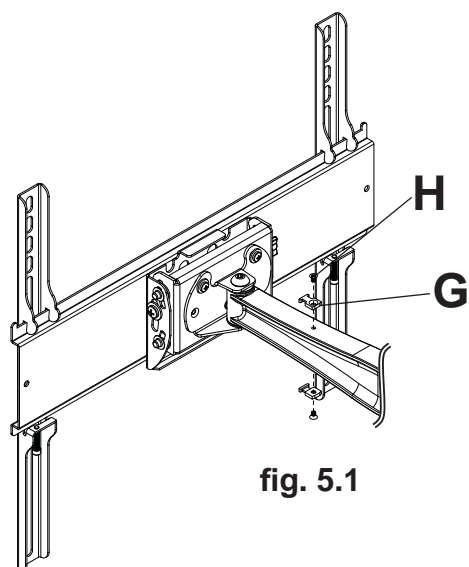


## Gestion des câbles

- 5 Fixez l' ancrage des attaches de câble (G) au haut ou au bas du bras mural (A) à l'aide d'une vis Phillips 8/32 x 1/4 (H) comme illustré à la figure 5.1. Attachez les câbles au haut ou au bas du bras mural (A) à l'aide d'attaches de câble (F) comme illustré à la figure 5.2.

Faites passer les câbles dans les fentes du bras mural (A). Bloquez les câbles en place en pressant les cache-câbles (I) sur le support comme illustré à la figure 5.3. **REMARQUE :** Veillez à ce que la flèche figurant à l'intérieur des cache-câbles (I) pointe vers l'écran comme illustré dans le dessin de détail 1.

Les câbles peuvent également être attachés à la fente située au bas de la plaque murale à l'aide d'une attache de câble (F) comme illustré ci-dessous.



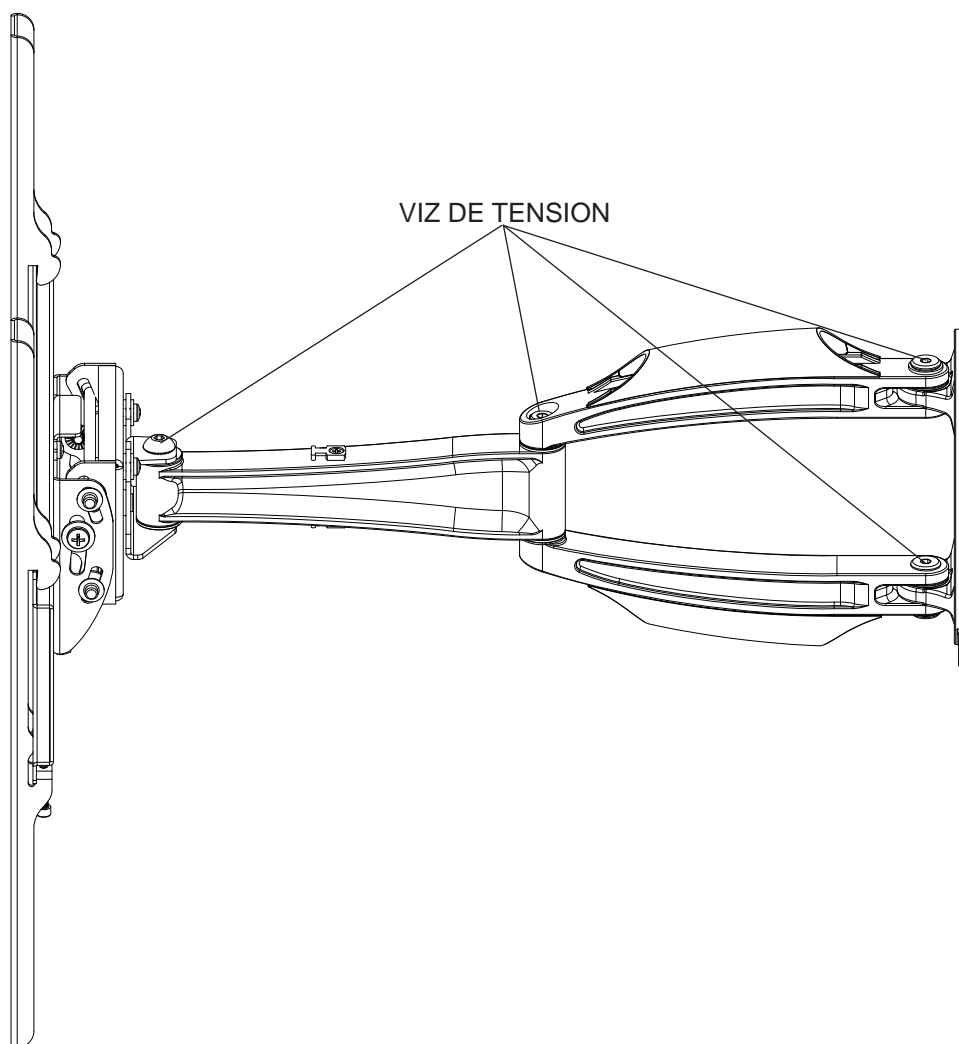


## Réglage de la tension du bras

### ⚠ AVERTISSEMENT

- Ne pas retirer ni desserrer la vis avant qu'elle ne soit complètement dégagée du support. Cela risquerait de faire tomber l'écran.
- Si les vis se desserrent au fil du temps, resserrez-les au besoin. Serrez les vis à un couple maximal de 50 po-lb (5,6 Nm).

- 6** Procédez comme suit pour augmenter ou diminuer la tension des points de pivotement du bras :
- Pour augmenter la tension, tournez la ou les vis de tension dans le sens horaire avec la clé hexagonale de 5mm (L). **REMARQUE : Serrez les vis à un couple maximum de 5,6 Nm (50 po-lb).**
  - Pour diminuer la tension, tournez la ou les vis de tension dans le sens antihoraire avec la clé hexagonale de 5mm (L). **REMARQUE : Ne tournez pas de plus d'un demi-tour.**



# \*LIMITED FIVE-YEAR WARRANTY

Peerless Industries, Inc. ("Peerless") warrants to original end-users of Peerless® products will be free from defects in material and workmanship, under normal use, for a period of five years from the date of purchase by the original end-user (but in no case longer than six years after the date of the product's manufacture). At its option, Peerless will repair or replace, or refund the purchase price of, any product which fails to conform with this warranty.

**In no event shall the duration of any implied warranty of merchantability or fitness for a particular purpose be longer than the period of the applicable express warranty set forth above.** Some states do not allow limitations on how long an implied warranty lasts, so the above limitation may not apply to you.

This warranty does not cover damage caused by (a) service or repairs by the customer or a person who is not authorized for such service or repairs by Peerless, (b) the failure to utilize proper packing when returning the product, (c) incorrect installation or the failure to follow Peerless' instructions or warnings when installing, using or storing the product, or (d) misuse or accident, in transit or otherwise, including in cases of third party actions and force majeure.

**In no event shall Peerless be liable for incidental or consequential damages or damages arising from the theft of any product, whether or not secured by a security device which may be included with the Peerless® product.** Some states do not allow the exclusion or limitation of incidental or consequential damages, so the above limitation or exclusion may not apply to you.

This warranty is in lieu of all other warranties, expressed or implied, and is the sole remedy with respect to product defects. No dealer, distributor, installer or other person is authorized to modify or extend this Limited Warranty or impose any obligation on Peerless in connection with the sale of any Peerless® product.

This warranty gives specific legal rights, and you may also have other rights which vary from state to state.

\*This warranty does not cover corrosion or rust trails resulting from damaged paint or surface chipping which exposes raw metal to the elements. Surface corrosion from scratches, nicks and chips is not covered. Peerless Industries, Inc. establishes a warranty period of corrosion for one year for product manufactured or supplied by Peerless.

peerless®

www.peerlessmounts.com

© 2011 Peerless Industries, Inc.

Español

# \*GARANTÍA LIMITADA DE CINCO AÑOS

Peerless Industries, Inc. (Peerless) les garantiza a los usuarios finales originales de los productos Peerless® que los productos Peerless® estarán libres de defectos de materiales o de manufactura, en condiciones de uso normal, durante un periodo de cinco (5) años a partir de la fecha en la que el usuario final original compre cualquier producto (pero, en ningún caso, durante un periodo mayor de 6 años después de la fecha de manufactura del producto). Queda a la discreción de Peerless, reparar, reemplazar o rembolsar el precio de compra de cualquier producto que no cumpla esta garantía.

**La duración de toda garantía implícita de comerciabilidad o de idoneidad para un propósito en particular no sobrepasará en caso alguno el periodo de vigencia de la garantía explícita correspondiente indica en lo anterior.** Algunos Estados no permiten que se establezcan limitaciones en relación con el periodo de duración de una garantía implícita, de manera que es posible que la limitación expuesta en lo anterior no sea pertinente a usted.

Esta garantía no cubre daños causados por (a) trabajos de mantenimiento o de reparación hechos por el cliente o alguna persona que no esté autorizada por Peerless para realizar dichos trabajos de mantenimiento o de reparación, (b) no empacar el producto como es debido si lo devuelve, (c) hacer una instalación incorrecta o no seguir las instrucciones o las advertencias de Peerless al instalar, utilizar o guardar el producto o (d) el mal uso o los accidentes, en tránsito o en otras circunstancias, incluidos los casos relacionados con las acciones de terceros o una fuerza mayor.

**Peerless no tendrá responsabilidad en ningún caso de daños y perjuicios incidentales o indirectos o de daños y perjuicios que surjan por el robo de cualquier producto, ya sea que el mismo esté o no esté asegurado con un dispositivo de seguridad que se haya incluido con el producto de Peerless®.** Algunos Estados no permiten que se excluyan o se establezcan limitaciones en relación con los daños y perjuicios incidentales o indirectos, de manera que es posible que la limitación o la exclusión expuesta en lo anterior no sea pertinente a usted.

Esta garantía reemplaza toda otra garantía, expresa o implícita, y es el único recurso en lo que respecta a los defectos del producto. Ningún concesionario, distribuidor, instalador ni ninguna otra persona está autorizada a modificar o extender esta Garantía Limitada ni a imponer obligación alguna a Peerless en relación con la venta de cualquier producto de Peerless®.

Esta garantía concede derechos específicos creados por ley y es posible que usted, además, tenga otros derechos que varían de acuerdo con el Estado donde se encuentre.

\*Esta garantía no cubre la corrosión ni las manchas de oxidación que sean el resultado de pintura arruinada o superficies rayadas, que expongan el metal no tratado a los elementos. No se cubre la corrosión de la superficie a causa de rayones, muescas o descascarillados. Peerless Industries, Inc. establece un periodo de garantía de un (1) año por corrosión para los productos manufacturados o suministrados por Peerless.

peerless®

www.peerlessmounts.com

© 2011 Peerless Industries, Inc.

# \*GARANTIE DE CINQ ANS

Peerless Industries, Inc. (« Peerless ») garantit aux utilisateurs finaux d'origine des produits PeerlessMD que lesdits produits ne présenteront aucun défaut de matériau ou de main-d'œuvre, dans la mesure où ils sont utilisés normalement, pendant une période de cinq ans à compter de la date d'achat par l'utilisateur final d'origine (mais en aucun cas plus de six ans après la date de fabrication du produit). Peerless, à sa discrétion, réparera ou remplacera tout produit non conforme aux termes de cette garantie, ou en remboursera le prix d'achat.

**La durée de toute garantie implicite de qualité commerciale ou d'application à un usage particulier n'excédera en aucun cas la durée de la garantie applicable expressément stipulée plus haut.** Certains états ou provinces n'autorisent pas la limitation de la durée d'une garantie implicite, et la limitation ci-dessus peut donc ne pas vous être applicable.

Cette garantie ne couvre pas les dommages causés par (a) un entretien ou des réparations effectués par l'acheteur ou une personne non autorisée par Peerless à effectuer un tel entretien ou de telles réparations, (b) un emballage inadéquat lors de l'expédition d'un produit retourné, (c) une installation incorrecte ou le non-respect des instructions ou mises en garde de Peerless lors de l'installation, l'utilisation ou le rangement du produit, ou (d) une mauvaise utilisation ou un accident survenu lors d'un transport ou autrement, y compris l'intervention de tiers et les cas de force majeure.

**Peerless ne peut en aucun cas être tenu responsable de quelque dommage accessoire ou indirect que ce soit ni de dommages résultant du vol d'un quelconque produit, que celui-ci ait été ou non protégé par un dispositif de sécurité intégré à un produit PeerlessMD.** Certains états ou provinces n'autorisent pas l'exclusion ou la restriction des dommages accessoires ou indirects, et il est possible que les restrictions ou exclusions ci-dessus ne s'appliquent pas à votre cas.

Les dispositions de cette garantie remplacent toute autre garantie expresse ou implicite et constituent le seul recours possible en cas de défectuosité d'un produit. Aucun marchand, distributeur, installateur ou autre personne n'est autorisé à modifier ou étendre la portée de cette garantie limitée, ni à imposer quelque obligation ce que soit à Peerless en ce qui concerne la vente de tout produit PeerlessMD.

Cette garantie offre des droits juridiques particuliers auxquels peuvent s'ajouter d'autres droits, susceptibles de varier d'une province ou d'un état à l'autre.

\* La présente garantie ne couvre pas la corrosion ou les marques de rouille causées par une peinture endommagée ou un écaillage de la surface exposant le métal nu aux éléments. La corrosion de la surface causée par des rayures, des ébréchures ou des écaillures n'est pas couverte. Peerless Industries, Inc. offre une période de garantie d'un an contre la corrosion sur les produits fabriqués ou fournis par Peerless.

**peerless**<sup>®</sup>

[www.peerlessmounts.com](http://www.peerlessmounts.com)

© 2011 Peerless Industries, Inc.

# Touchboards

**205 Westwood Ave, Long Branch, NJ 07740**

**Phone: 866-94 BOARDS (26273) / (732)-222-1511**

**Fax: (732)-222-7088 | E-mail: [sales@touchboards.com](mailto:sales@touchboards.com)**