

# ESA763PU

## Corrosion Resistant Articulating Mount for 37"-63" Indoor or Outdoor Flat Panel Displays

The Corrosion Resistant Articulating Mount For 37"-63" Indoor or Outdoor Flat Panel Displays from Peerless is ready to let entertainment prosper in any indoor or outdoor environment. The ESA763PU is specially coated with a protective anti-corrosive e-coating that repels damaging temperature-related and outdoor corrosive elements. Delivering all weather indoor and outdoor display placement value for uses in three-season rooms, patios or decks. This all-environment mount is also ideal for installations in humid indoor areas like locker rooms, bathrooms, car washes, indoor pools or water parks. Indoors or out the ESA763PU provides durable all-environment mounting solution that is ready for any setting.



Screen size: 37"-63"



Max load: 200lb (91kg)

### FEATURES

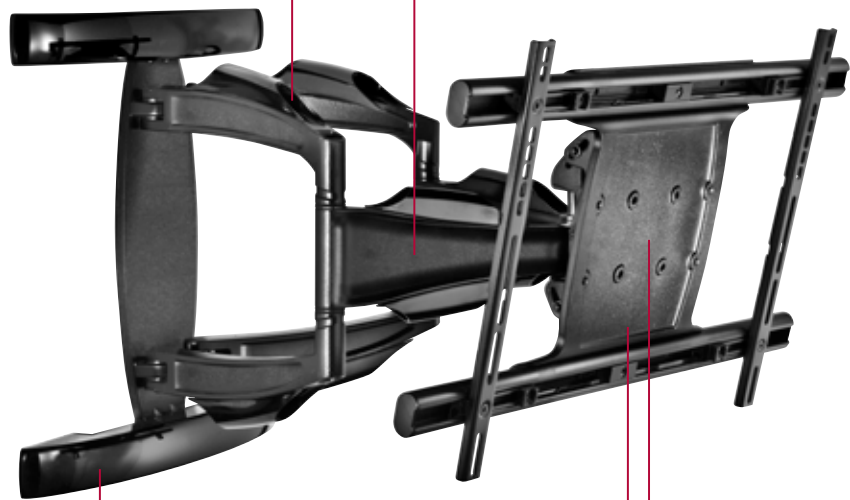
- Indoor/outdoor corrosion protection
- Supports displays with 27.06"W x 17.29"H (687 x 439mm) mounting pattern and up to 600 x 400mm VESA® compliant
- Works in portrait or landscape orientation
- +15°/-5° tilt, 90° swivel
- 27.55" (700mm) arm extension, when collapsed 4.43" (113mm) from the wall
- 16" Double stud wall plate with up to 4.5" (114mm) of horizontal adjustment
- Screen side and wall side security hardware included
- Wood, concrete and cinder block mounting hardware included
- Capable of portrait or landscape orientation

#### NEAT INSTALLATION

Cable management keeps cables out of sight

#### SCREEN POSITIONING OPTIONS

Arm extends up to 27.55" (700mm)



#### POST INSTALLATION HORIZONTAL ADJUSTABILITY

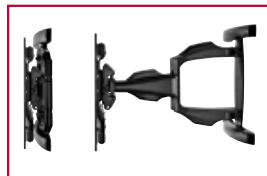
Double stud mounting option with 4.5" (114mm) of horizontal adjustment

#### FINE TUNING

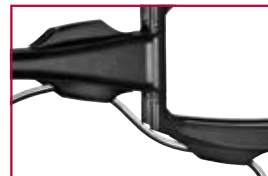
±5° of roll adjustment

#### ORIENTATION OPTIONS

Portrait or landscape orientation



Arm retracts to just 4.43" (113mm) and extends up to 27.55" (700mm) from wall



1" (25mm) clearance per channel for clean and simple cable management



1" (25mm) of vertical adjustment for post-installation fine tuning

# Touchboards

205 Westwood Ave, Long Branch, NJ 07740  
Phone: 866-94 BOARDS (26273) / (732)-222-1511  
Fax: (732)-222-7088 | E-mail: sales@touchboards.com



# peerless®

## Model Numbers

WARRANTY: Limited 5-year

ESA763PU

Corrosion Resistant Articulating Mount for 37" to 63" Indoor or Outdoor Flat Panel Displays

# Touchboards

205 Westwood Ave, Long Branch, NJ 07740  
 Phone: 866-94 BOARDS (26273) / (732)-222-1511  
 Fax: (732)-222-7088 | E-mail: sales@touchboards.com

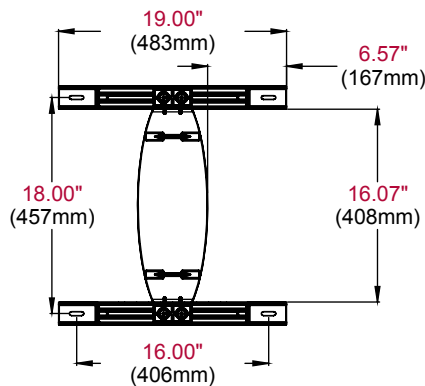
## Product Specifications

	DIMENSIONS (W x H x D)	PRODUCT WEIGHT	LOAD CAPACITY	FINISH	AVAILABLE COLORS
ESA763PU	28.68" x 20.23" x 4.53"-27.55" (728 x 514 x 113-700mm)	52lb (23kg)	200lb (91kg)	Outdoor powder paint	Gloss Black

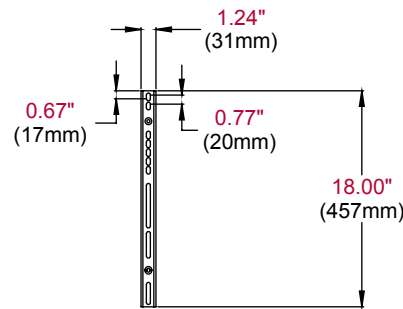
## Package Specifications

	PACKAGE SIZE (W x H x D)	PACKAGE SHIP WEIGHT	PACKAGE UPC CODE	PACKAGE CONTENTS	UNITS IN PACKAGE
ESA763PU	37.75" x 21.25" x 5.625" (958 x 539 x 142mm)	55lb (25kg)	ESA763PU: 735029266600	Mount and Mounting Hardware	1

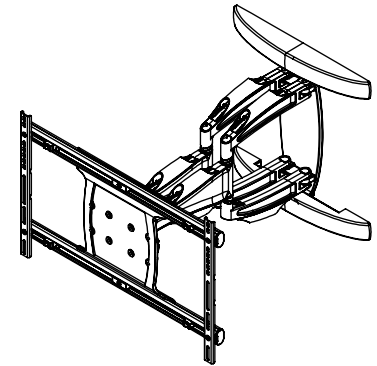
All dimensions = inch (mm)



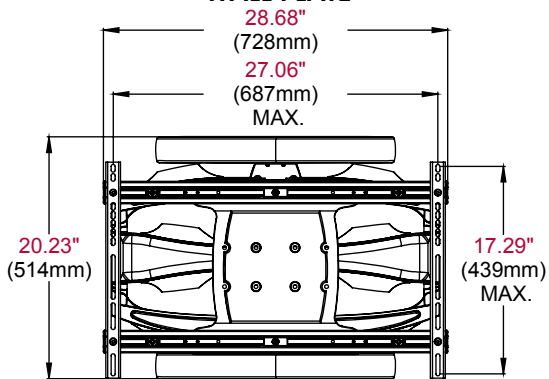
**WALL PLATE**



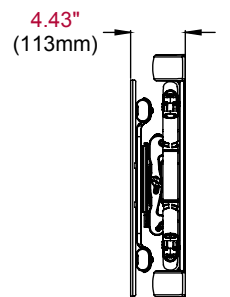
**VERTICAL ADAPTER**



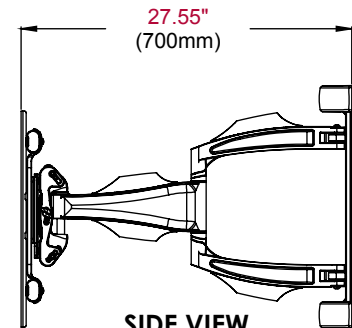
**ISOMETRIC VIEW**



**FRONT VIEW**



**SIDE VIEW  
RETRACTED**



**SIDE VIEW  
EXTENDED**

## ARCHITECTS SPECIFICATIONS

The Corrosion Resistant Articulating Mount shall be a Peerless model ESA763PU and shall be located where indicated on the plans. Mount is finished with a textured black powder outdoor protective paint. Assembly and installation shall be done according to instructions provided by the manufacturer.