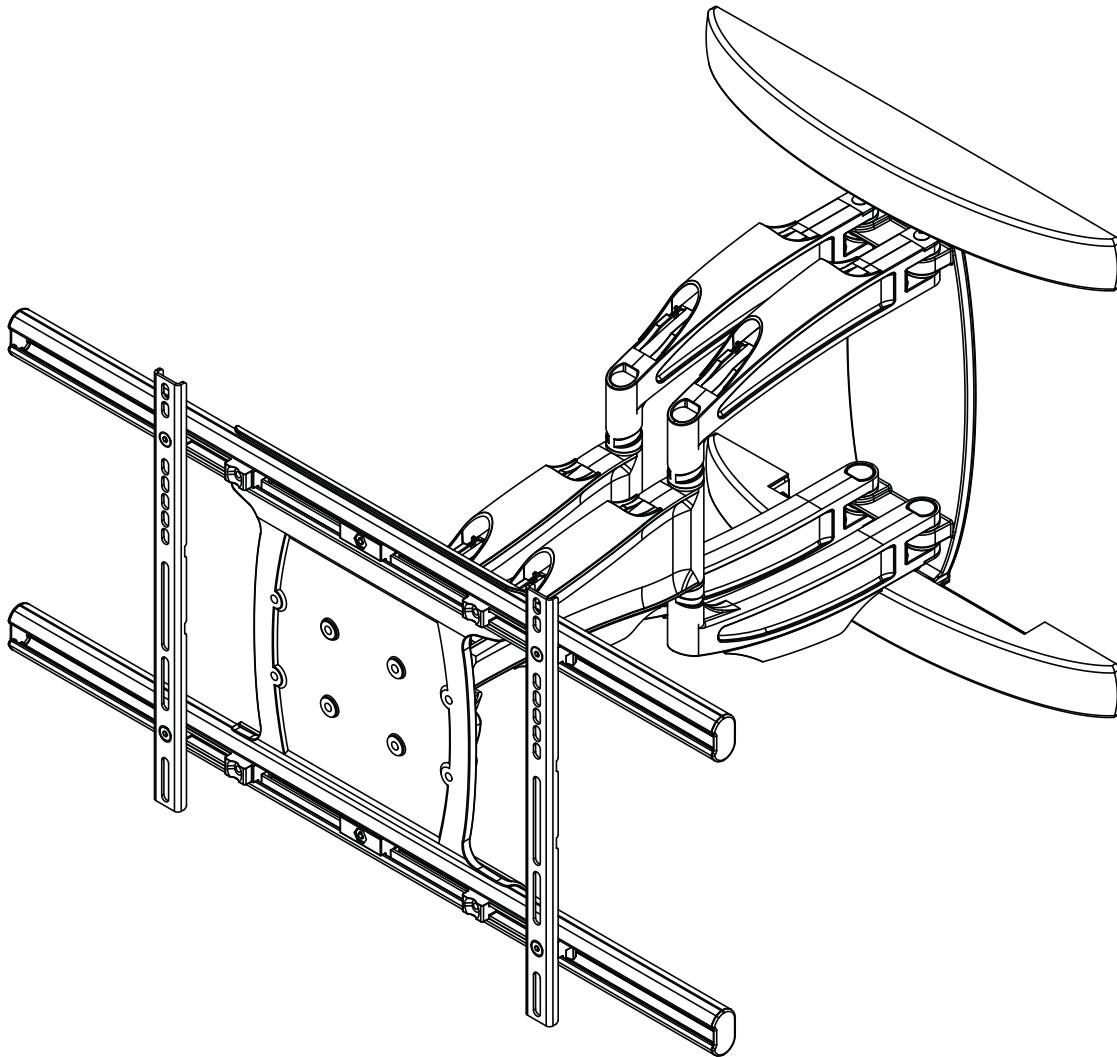


Installation and Assembly:
**Corrosion Resistant Articulating Mount for Indoor or Outdoor
37" - 63" Flat Panel Displays**

Models: ESA763PU



Max UL Load Capacity: 200 lb (90.7 kg)

Note: Read entire instruction sheet before you start installation and assembly.

⚠ WARNING

- Do not begin to install your Peerless product until you have read and understood the instructions and warnings contained in this Installation Sheet. If you have any questions regarding any of the instructions or warnings, for US customers please call Peerless customer care at 1-800-865-2112, for all international customers, please contact your local distributor.
- This product should only be installed by someone of good mechanical aptitude, has experience with basic building construction, and fully understands these instructions.
- Due to outdoor environmental conditions such as heavy snow, hail, rain, etc. the environmental mount and hardware must be inspected at least once a year. This product should not be exposed to high winds. A qualified installer or inspector must check for signs of rust, loose fasteners, bent metal, etc. If evidence of excessive wear, deterioration or any unsafe condition is observed, this product must be taken out of service immediately. Direct all inquiries to customer care if you have any questions.
- Make sure that the supporting surface will safely support the combined load of the equipment and all attached hardware and components.
- Never exceed the Maximum UL Load Capacity. See page one.
- If mounting to wood wall studs, make sure that mounting screws are anchored into the center of the studs. Use of an "edge to edge" stud finder is highly recommended.
- Always use an assistant or mechanical lifting equipment to safely lift and position equipment.
- Tighten screws firmly, but do not overtighten. Overtightening can damage the items, greatly reducing their holding power.
- This product was designed to be installed on the following wall construction only;

WALL CONSTRUCTION

HARDWARE REQUIRED

- | | |
|--------------------|--|
| • Wood Stud | Included |
| • Wood Beam | Included |
| • Solid Concrete | Included |
| • Cinder Block | Included |
| • Metal Stud | Contact Qualified Professional (not evaluated by UL) |
| • Brick | Contact Qualified Professional (not evaluated by UL) |
| • Other or unsure? | Contact Qualified Professional |

Tools Needed for Assembly

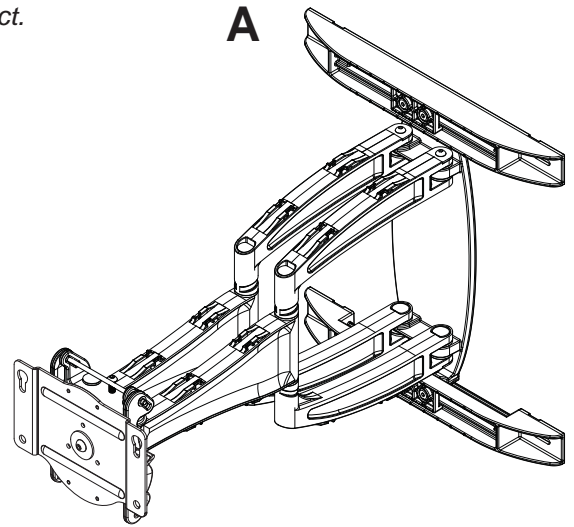
- stud finder ("edge to edge" stud finder is recommended)
- phillips screwdriver
- drill
- 3/16" (5mm) drill bits for wood studs, 13/32" (10mm) drill bits for concrete
- level

Table of Contents

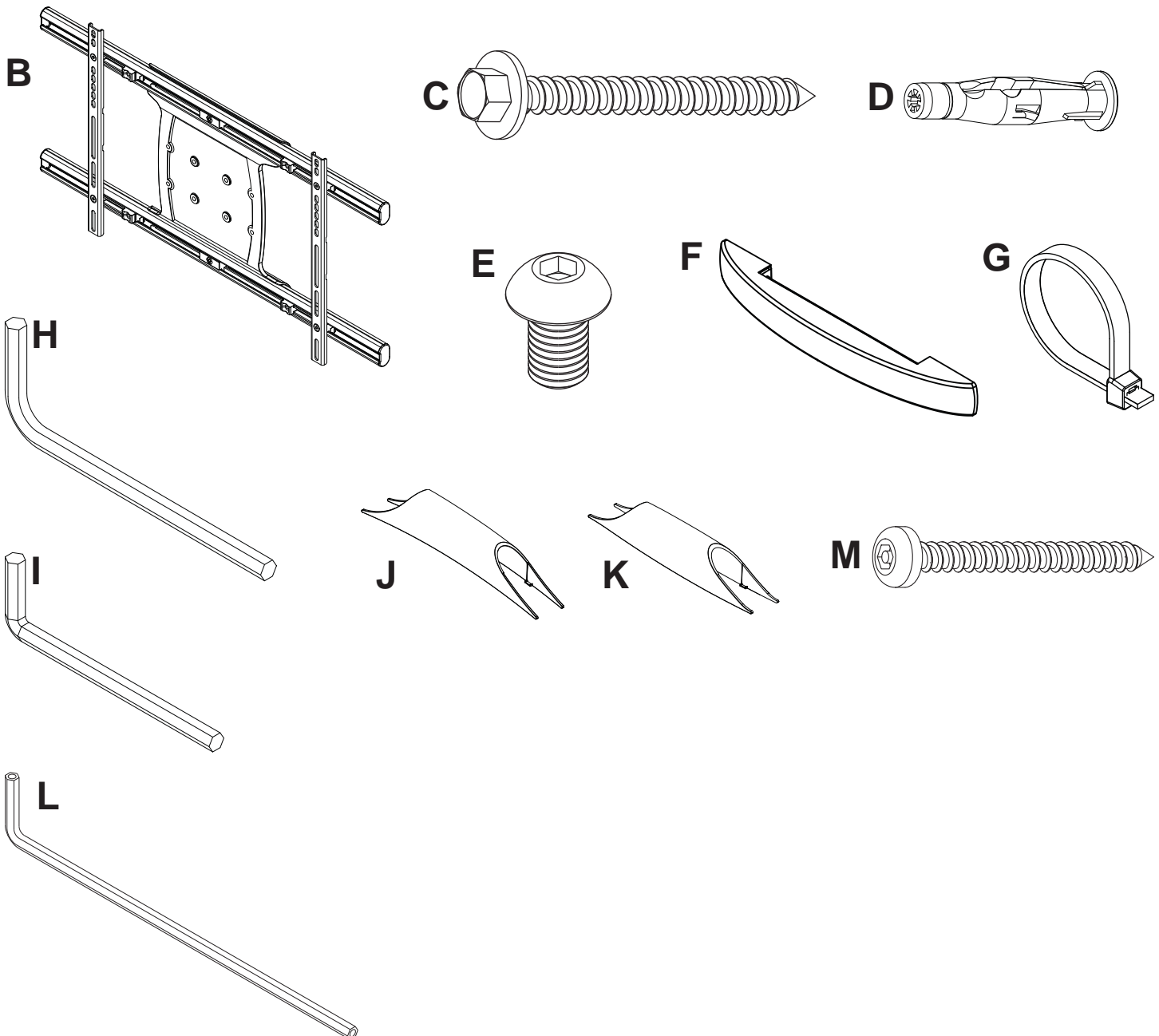
Parts List.....	3, 4
Wall installation.....	6, 7
Installing Adapter Brackets to Display	8-13
Mounting Flat Panel Display	14
Cable Management	16

Before you begin, make sure all parts shown are included with your product.

Parts List		ESA763PU	
Description	Qty.	Part #	
A	1	095-T1994	
B	1	095-T1635-2	
C	3	520-D1243	
D	4	590-0321	
E	2	520-D1262	
F	2	590-1325	
G	16	590-1168	
H	1	560-9716	
I	1	560-9640	
J	4	590-P1326	
K	4	590-P1327	
L	1	560-9646	
M	1	520-D1668	



Parts may appear slightly different than illustrated.



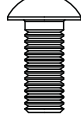
Adapter Bracket Fasteners



M4 x 12 mm (6)
(510-D1079)



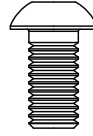
M4 x 25 mm (4)
(510-D1082)



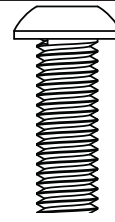
M5 x 12 mm (4)
(520-D1064)



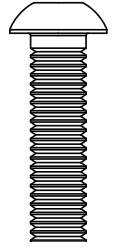
M5 x 25 mm (4)
(520-D1122)



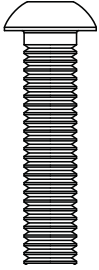
M6 x 12 mm (4)
(520-D1050)



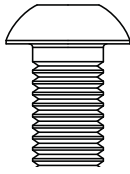
M6 x 20 mm (4)
(520-D1554)



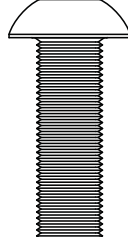
M6 x 25 mm (4)
(520-D1211)



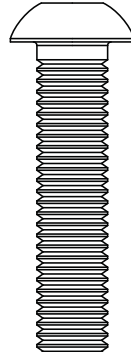
M6 x 30 mm (4)
(520-D1067)



M8 x 12 mm (6)
(520-D1068)



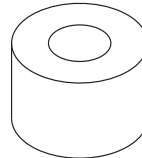
M8 x 25 mm (4)
(520-D1101)



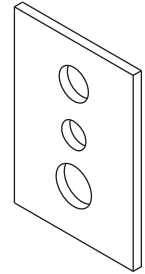
M8 x 40 mm (4)
(520-D1152)



I.D. .22" (4)
(540-1057)



I.D. .34" (4)
(540-1059)



multi-washer (6)
(580-D1036)

Optional Horizontal Adjustment of Wall Arm on Wall Plate

1 **NOTE:** If mounting wall arm (A) to wood stud walls, slots on wall plate must align to wood studs.

Determine desired location of display center detailed in step 2.

Measure the distance from the center of wall arm (A) to desired display center. Loosen four 1/4-20 x 17mm screws using 5mm allen wrench (I). Slide wall arm assembly 4-1/2" to the left or right as shown in figure 1.1. **NOTE:** Align bevels (dots) of slide plate with bevels (dots) of wall plate rails as shown in detail 1 then retighten 1/4-20 x 17mm screws.

Do not adjust arm while display is attached.

Skip to page 6 for Wood Stud Installation.

Skip to page 7 for Concrete and Cinder Block Installation.

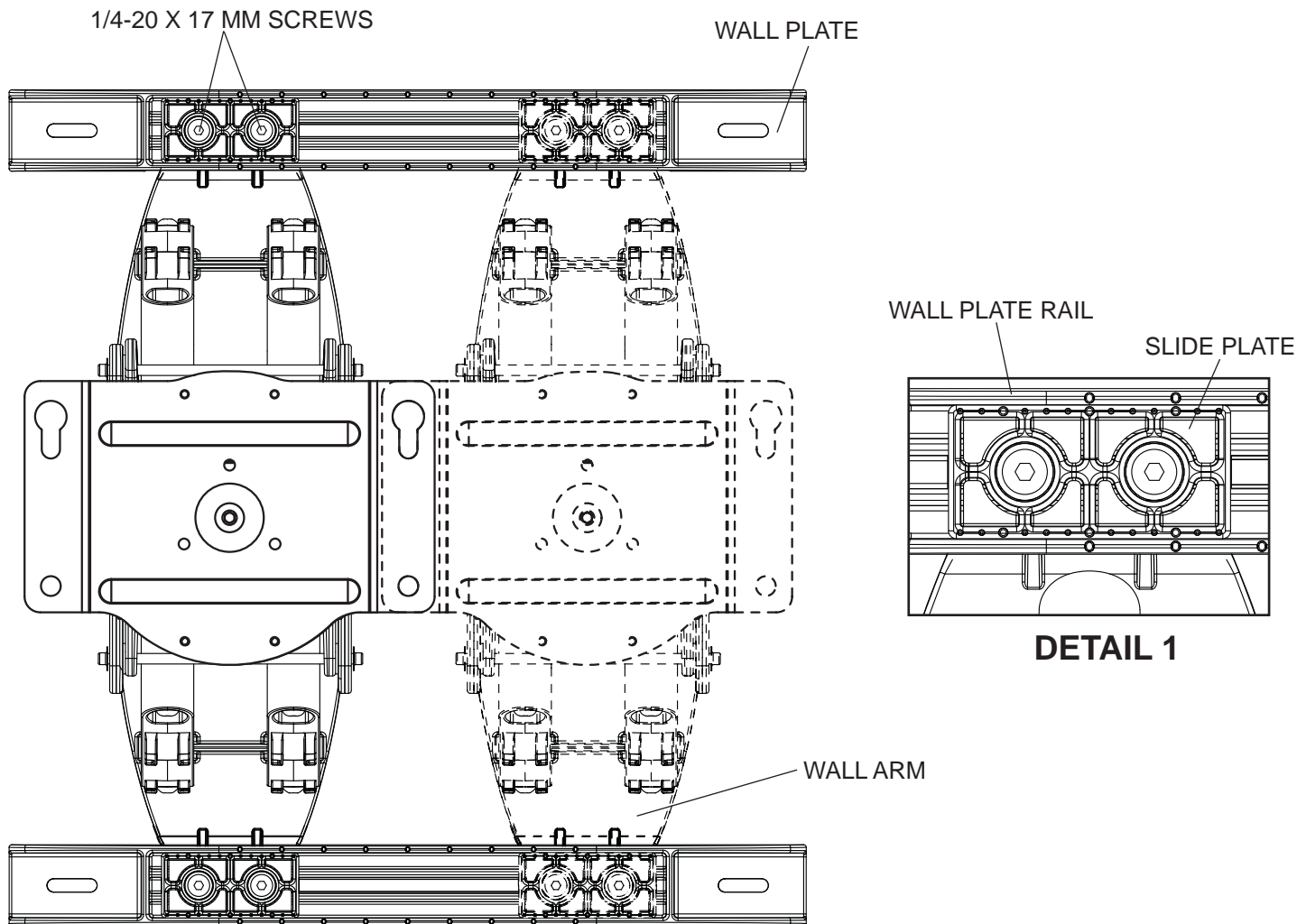


fig. 1.1

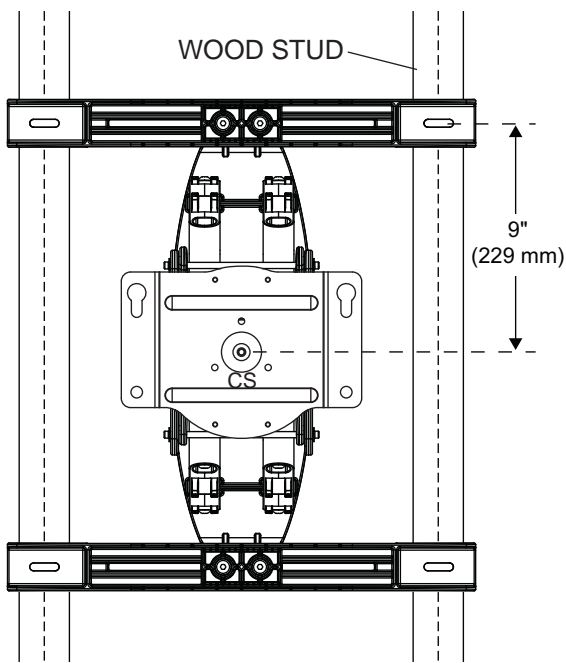
Installation to Double-Stud Wall

⚠ WARNING

- Installer must verify that the supporting surface will safely support the combined load of the equipment and all attached hardware and components.
- Tighten wood screws so that wall plate is firmly attached, but do not overtighten. Overtightening can damage the screws, greatly reducing their holding power.
- Never tighten in excess of 80 in. • lb (9 N.M.).
- Make sure that mounting screws are anchored into the center of the stud. The use of an "edge to edge" stud finder is highly recommended.
- Hardware provided is for attachment of mount through standard thickness drywall or plaster into wood studs. Installers are responsible to provide hardware for other types of mounting situations (not evaluated by UL).

- 2** Use a stud finder to locate the edges of the studs and draw a vertical line down the center of each stud. Determine and mark the desired display center on the wall. Place wall plate template (wall arm) on wall with top mounting slots 9" (229mm) above desired display center as shown in figure 2.1. Level wall plate template (wall arm) on wall and mark center of four mounting holes making sure that the mounting holes are on the stud centerlines. Drill four 3/16" (5mm) dia. pilot holes to a depth of 3" (76mm). Attach wall arm (A) to wall using three wood screws (C) and one security wood screw (M) as shown in fig. 2.2.

Level wall plate then tighten all fasteners.



CS = CENTER OF DISPLAY

fig. 2.1

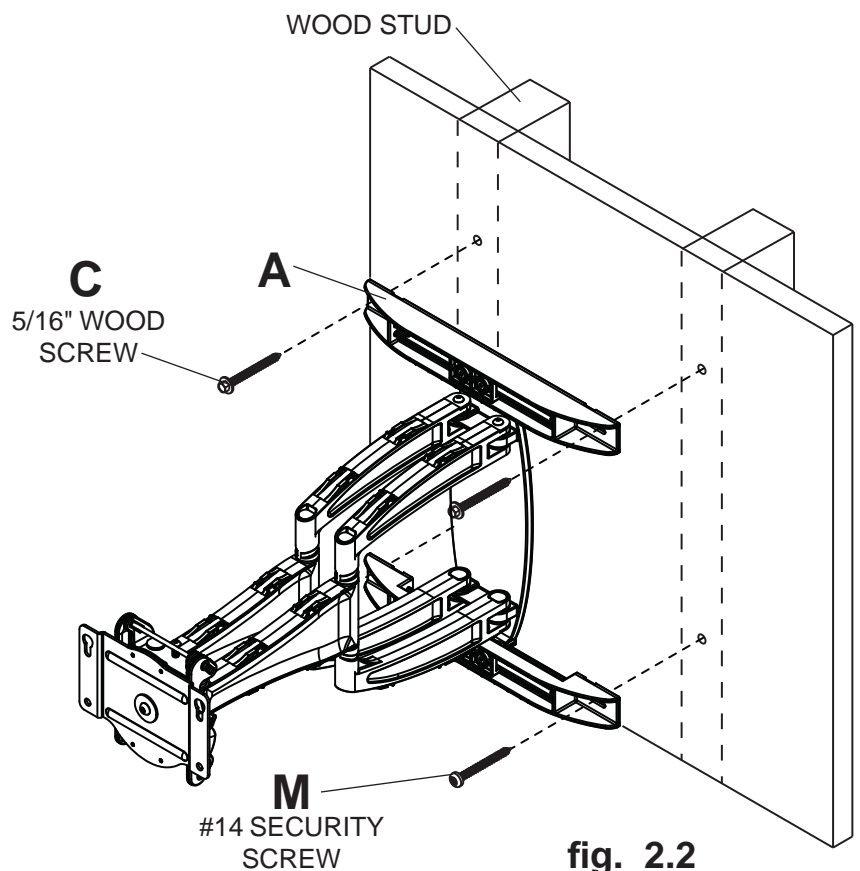


fig. 2.2

Installation to Solid Concrete or Cinder Block

⚠ WARNING

- When installing Peerless wall mounts on cinder block, verify that you have a minimum of 1-3/8" (35mm) of actual concrete thickness in the hole to be used for the concrete anchors. Do not drill into mortar joints! Be sure to mount in a solid part of the block, generally 1" (25mm) minimum from the side of the block. Cinder block must meet ASTM C-90 specifications. It is suggested that a standard electric drill on slow setting is used to drill the hole instead of a hammer drill to avoid breaking out the back of the hole when entering a void or cavity.
- Concrete must be 2000 psi density minimum. Lighter density concrete may not hold concrete anchor.
- Make sure that the supporting surface will safely support the combined load of the equipment and all attached hardware and components.

2 Determine and mark the desired display center on the wall. Place wall plate template (wall arm) on wall with top mounting slots 9" (229mm) above desired display center as shown in figure 2.1 on page 6. Level wall plate template (wall arm) on wall and mark center of four mounting holes. Drill four 13/32" (10mm) dia. pilot holes to a depth of 3" (76mm). Insert anchors (D) into four holes flush with wall as shown (right). Place wall arm (A) over anchors and secure using three wood screws (C) and one security wood screw (M). Level, then tighten all fasteners.

⚠ WARNING

- Tighten screws so that wall plate is firmly attached, but do not overtighten. Overtightening can damage screws, greatly reducing their holding power.
- Never tighten in excess of 80 in. • lb (9 N.M.).
- Always attach concrete expansion anchors directly to load-bearing concrete.
- Never attach concrete expansion anchors to concrete covered with plaster, drywall, or other finishing material. If mounting to concrete surfaces covered with a finishing surface is unavoidable (not evaluated by UL), the finishing surface must be counterbored as shown below. Be sure concrete anchors do not pull away from concrete when tightening screws. If plaster/drywall is thicker than 5/8" (16mm), custom fasteners must be supplied by installer (not evaluated by UL).

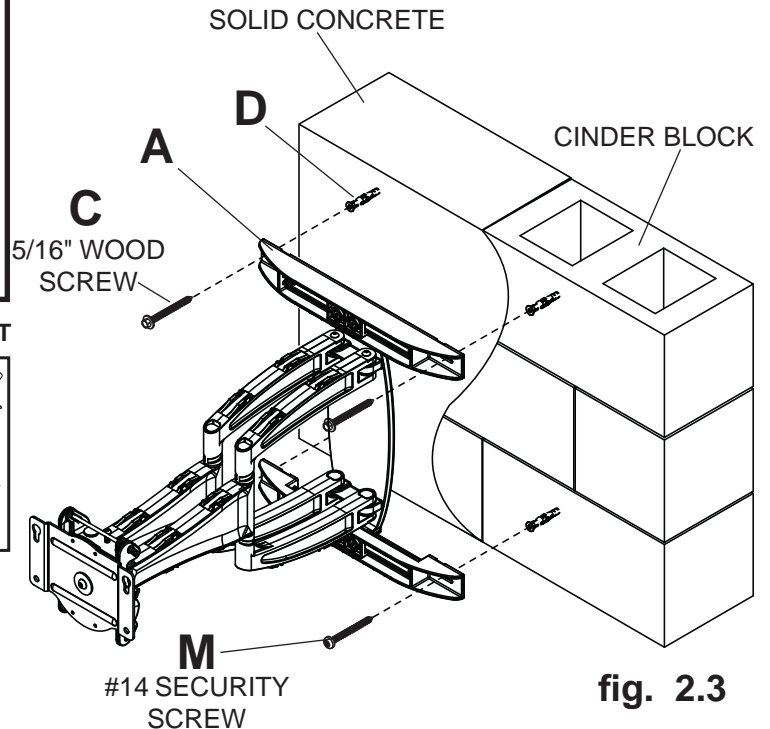
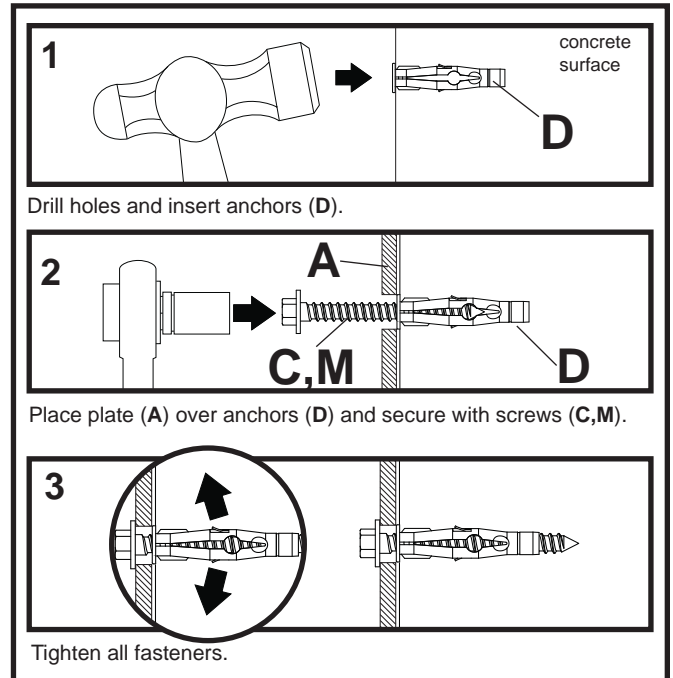
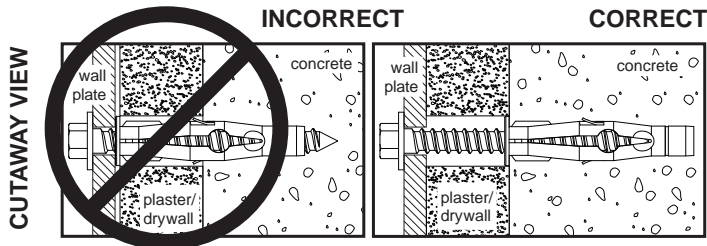


fig. 2.3

Installing Adapter Brackets to Display

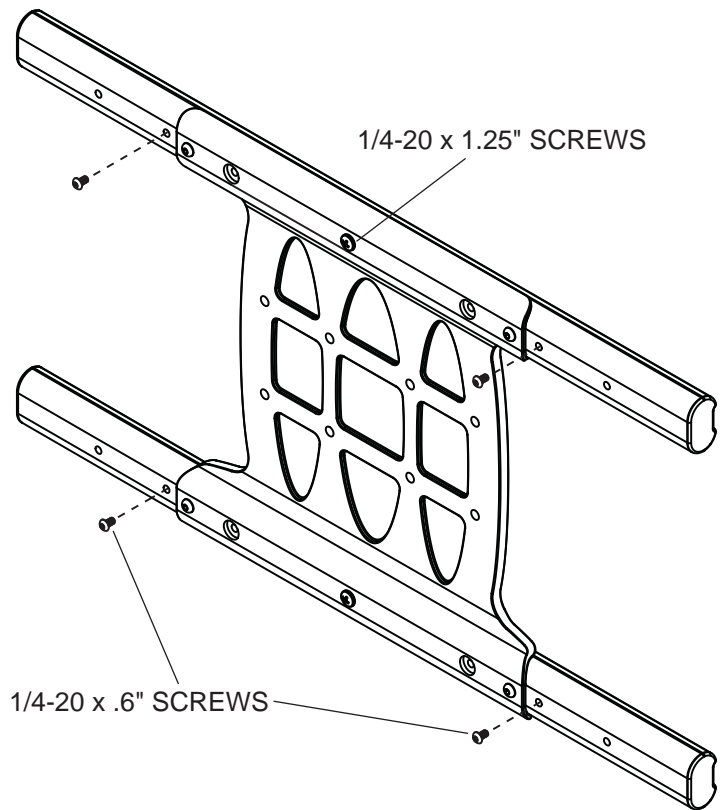
NOTE: If display has a VESA 400 horizontal mounting pattern, skip to step 3-3 or 3-4 on page 10.

NOTE: For VESA 200x200 or VESA 200x100 mount hole patterns, skip to step 4 on page 11.

NOTE: For dedicated PLP plate installation skip to step 5 on page 13.

3

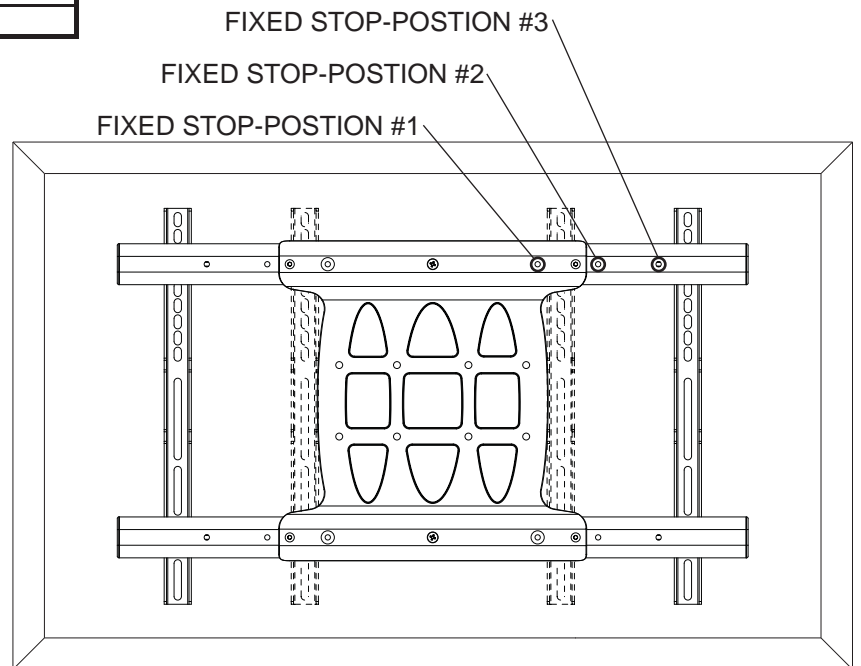
Remove four 1/4-20 x .6" screws using 5 mm allen wrench (I) and loosen two 1/4-20 x 1.25" screws 1/2 turn to allow for display bracket adjustment.



3-1 To prevent scratching the display, set a cloth on a flat, level surface that will support the weight of the display. Place display face side down and refer to display manufacturers instructions for removing obstructions from the back of the display. Adjust display brackets to align with display mounting holes.

Measure horizontal mounting hole pattern and choose fixed stop-position from chart below.

horizontal mounting hole pattern	fixed stop-position
10-3/4" - 16-1/16" (273 - 408 mm)	#1
15-1/16" - 21-9/16" (383 - 548 mm)	#2
20-7/16" - 27-9/16" (519 - 700 mm)	#3



Installing Adapter Brackets to Display

⚠ WARNING

- Tighten screws so display brackets are firmly attached to display. Do not tighten with excessive force. Overtightening can cause stress damage to screws, greatly reducing their holding power and possibly causing screw heads to become detached. Tighten to 40 in. • lb (4.5 N.M.) maximum torque.
- If screws don't get three complete turns in the display inserts or if screws bottom out and bracket is still not tightly secured, damage may occur to display or product may fail.

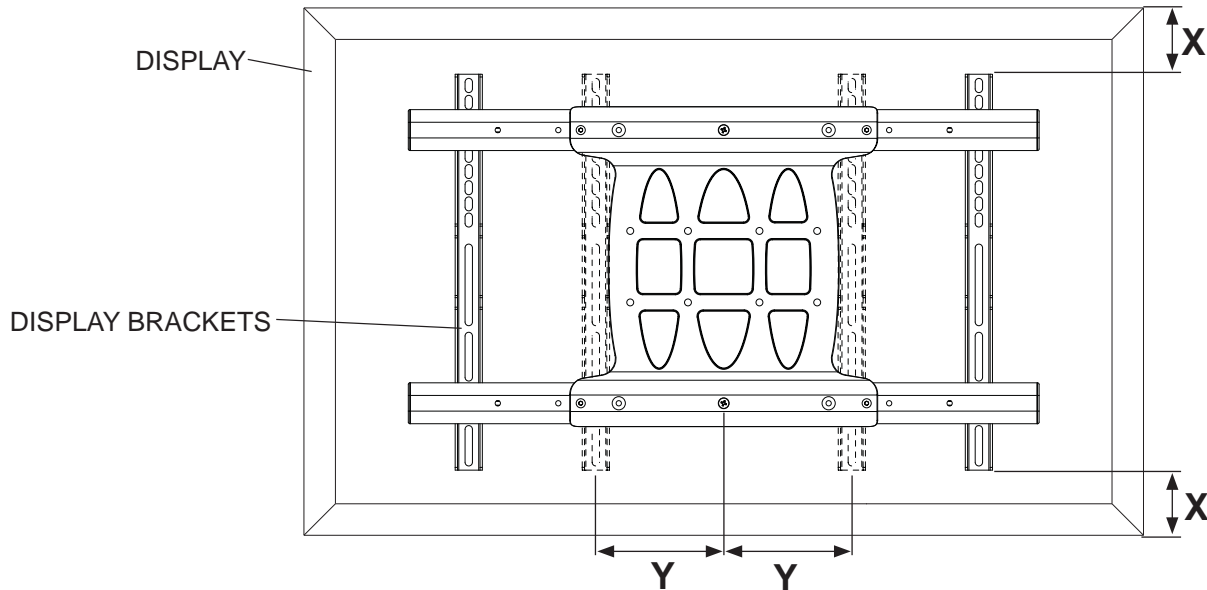
3-2

Select the screws from the baffled fastener pack that best fit your display and secure to display following step 3-3 or 3-4 on page 10.

NOTE: Top and bottom mounting holes must be used for attaching display brackets. Middle holes should also be used where the fasteners and displays allow.

Verify that all holes are properly aligned, then tighten screws using a phillips screwdriver.

CENTER DISPLAY BRACKETS VERTICALLY AND HORIZONTALLY ON BACK OF DISPLAY



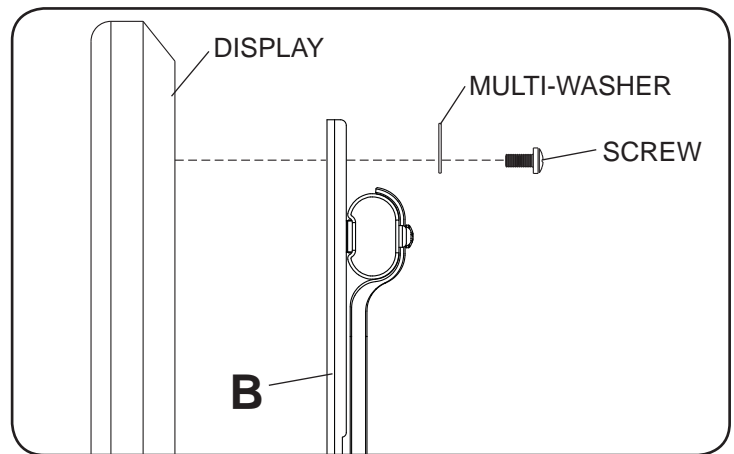
NOTE: "X" dimensions should be equal.
"Y" dimensions should be equal.

For Flat Back Display

3-3 Begin with the shortest length screw, hand thread screw through multi-washer and display brackets (**B**) into display as shown below. Screw must make at least three full turns into the mounting hole and fit snug into place. Do not over tighten. If screw cannot make three full turns into the display, select a longer length screw from the baffled fastener pack. Repeat for remaining mounting holes, level display brackets and tighten screws.

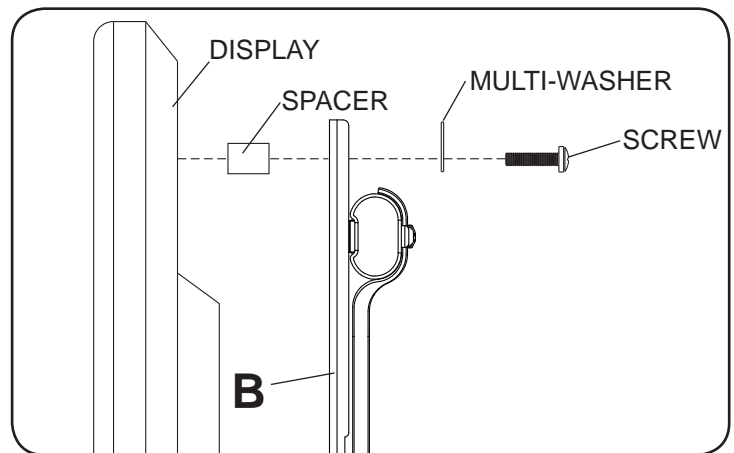
NOTE: Spacers may not be used, depending upon the type of display.

Skip to step 3-5.

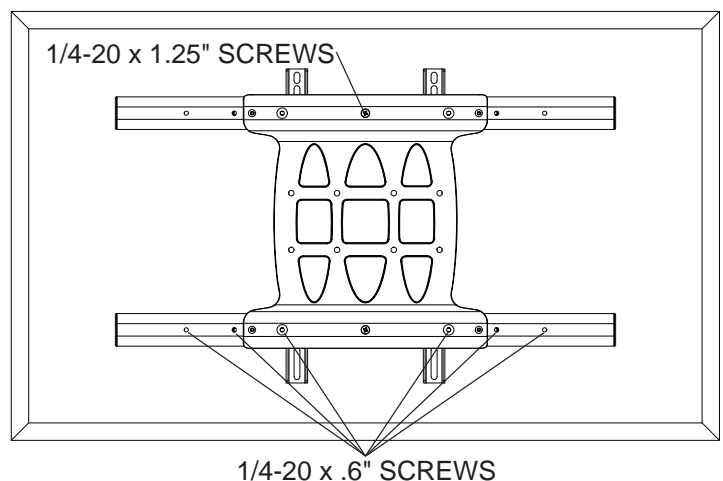


For Bump-out or Recessed Back Display

3-4 Begin with the longest length screw, hand thread screw through multi-washer, display brackets (**B**) and spacer in that order into display as shown below. Screw must make at least three full turns into the mounting hole and fit snug into place. Do not over tighten. If screw cannot make three full turns into the display, select a shorter length screw from the baffled fastener pack. Repeat for remaining mounting holes, level display brackets and tighten screws.



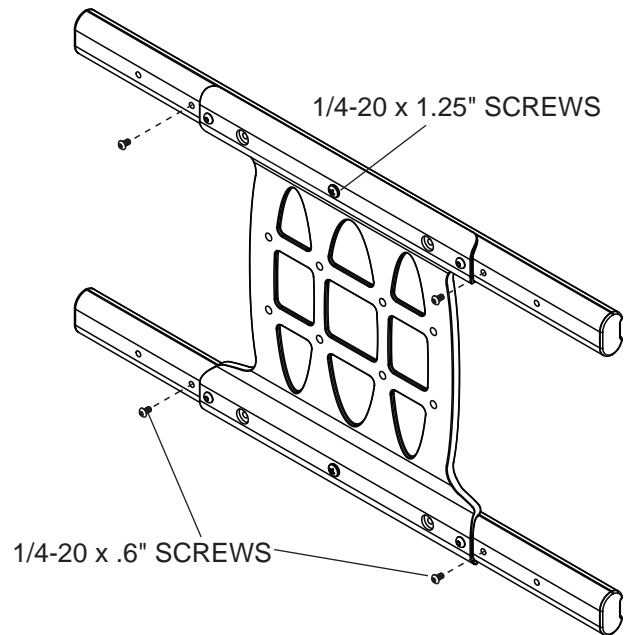
3-5 Center display brackets horizontally and vertically on back of display. Tighten two 1/4-20 x 1.25" screws. Reinstall four 1/4-20 x .6" screws using 5 mm allen wrench (**I**) into appropriate fixed-stop position from chart on page 8.



VESA 200 x 200 or VESA 200 x 100 Mounting Pattern

4

Remove four 1/4-20 x .6" screws using 5mm allen wrench (I) and loosen two 1/4-20 x 1.25" screws 1/2 turn to allow for display bracket adjustment.



4-1

Remove four 1/4-20 self tapping screws to detach display brackets from outer mount holes of universal adapter bracket (B) using 5mm allen wrench (I) as shown in figure 4.1. Reinstall four 1/4-20 self tapping screws to secure display brackets to inner set of mounting holes on universal adapter bracket (B) as shown in figure 4.2.

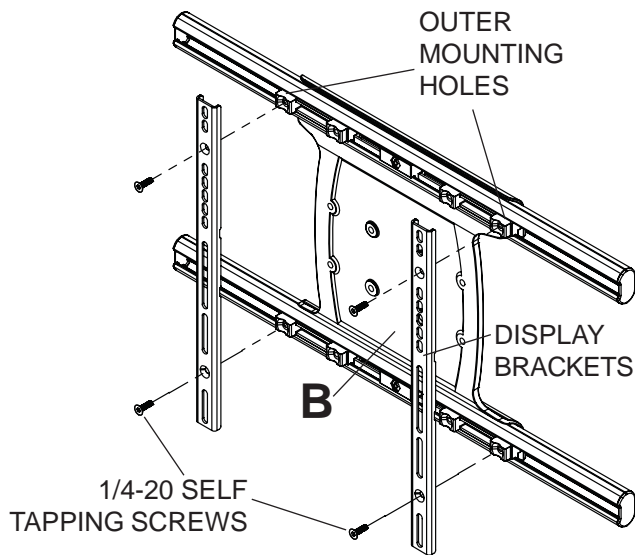


fig. 4.1

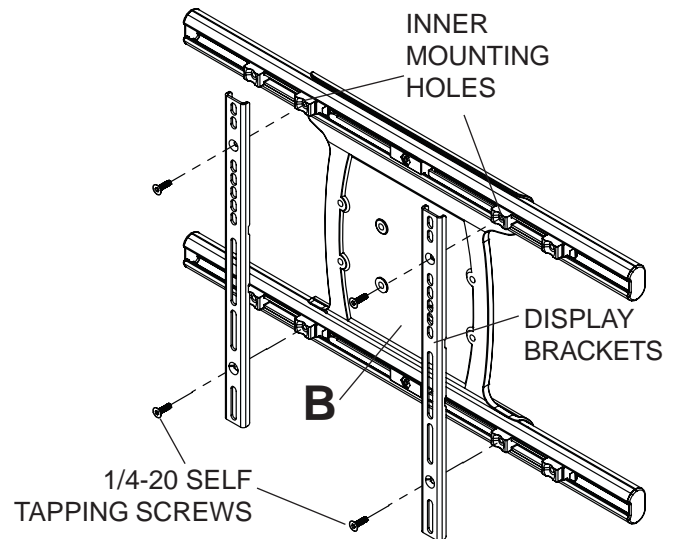
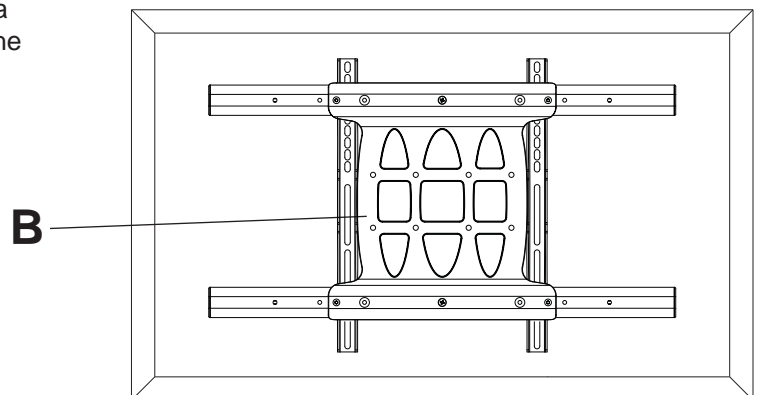


fig. 4.2

To prevent scratching the display, set a cloth on a flat, level surface that will support the weight of the display. Place display face side down and place universal adapter bracket (B) onto display.

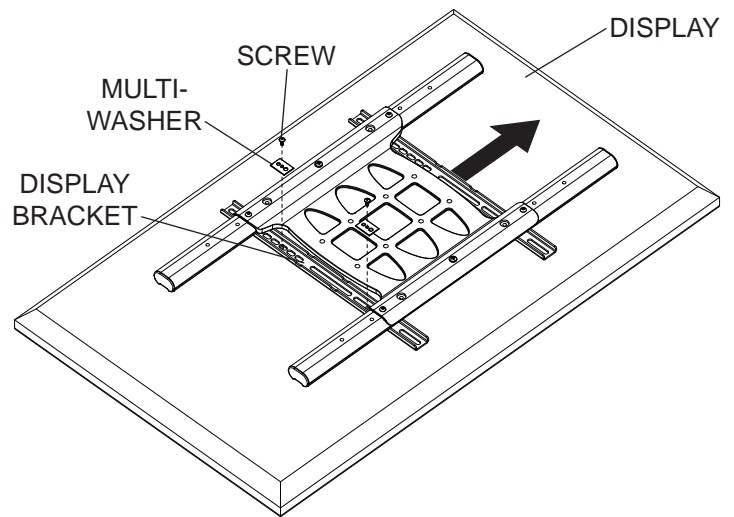


VESA 200 x 200 or VESA 200 x 100 Mounting Pattern (Continued)

4-2 Align one display bracket with one set of display mounting holes.

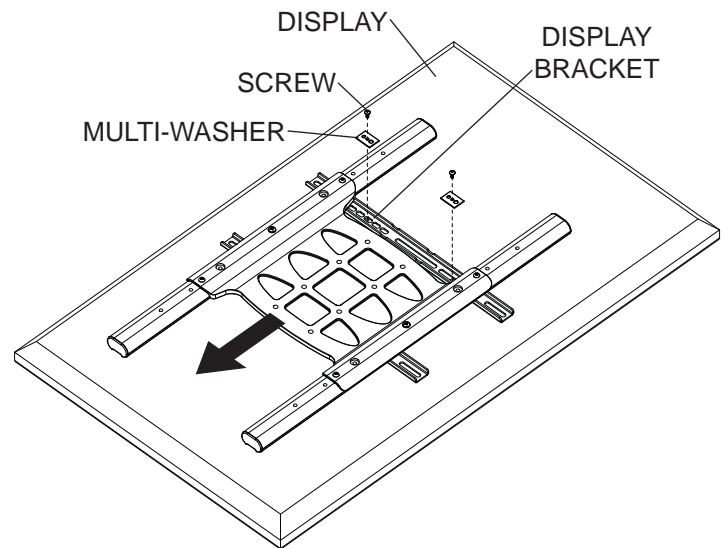
Begin with the shortest length screw, hand thread screw through multi-washer and display brackets into display as shown. Screw must make at least three full turns into the mounting hole and fit snug into place. Do not over tighten. If screw cannot make three full turns into the display, select a longer length screw from the baffled fastener pack. Center display brackets vertically and tighten screws.

NOTE: For displays with a bump-out or recessed back, spacer may be used. Spacer goes between display bracket and display.



4-3 Slide universal adapter bracket to the opposite side and align second display bracket with second set of display mounting holes.

Hand thread screws through multi-washer, display bracket, and spacer if used, into display as shown. Tighten all screws.



4-4 Center display brackets horizontally on back of display as shown in figure 4.3.

Tighten two 1/4-20 x 1.25" screws. Reinstall four 1/4-20 x .6" screws using 5 mm allen wrench (I) into fixed-stop position 1 as shown in figure 4.4.

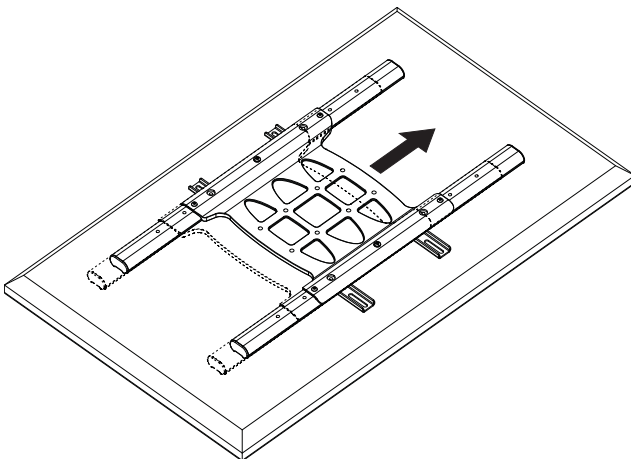


fig. 4.3

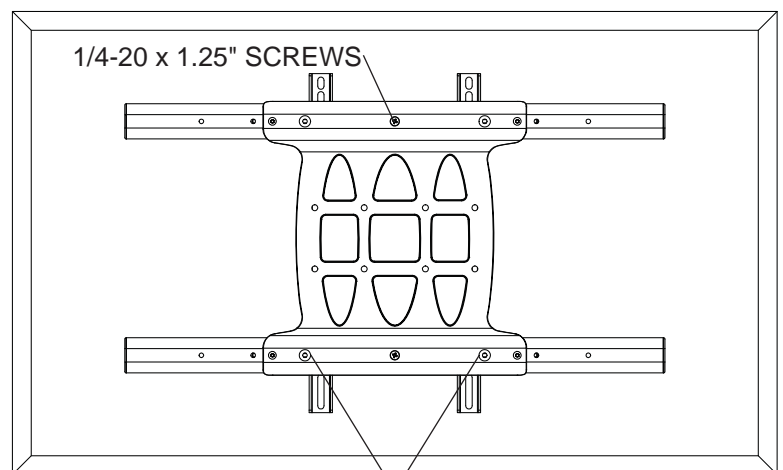


fig. 4.4

FIXED STOP POSITION #1 WITH
1/4-20 x .6" SCREWS

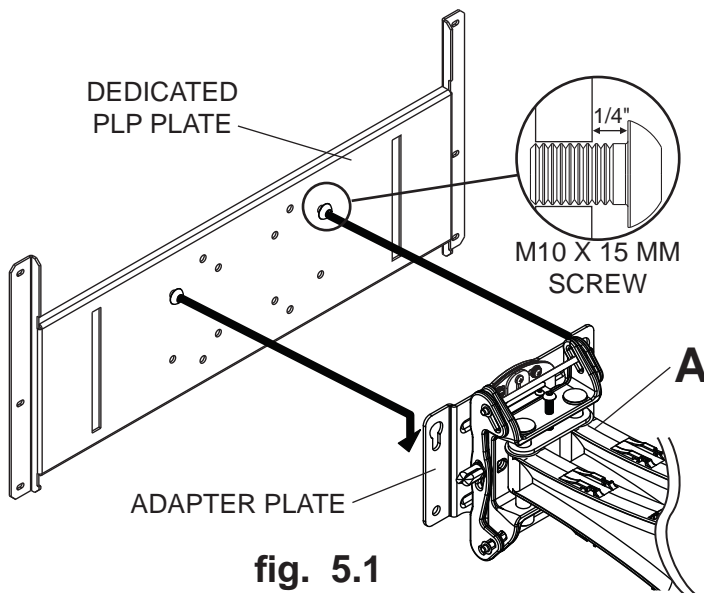
⚠ WARNING

- Do not lift more weight than you can handle. Use additional man power or mechanical lifting equipment to safely handle placement of the display.
- Do not tighten screws with excessive force. Overtightening can cause damage to mount. Tighten M10 x 15mm screws (E) to 40 in. • lb (4.52 N.M.) maximum torque.

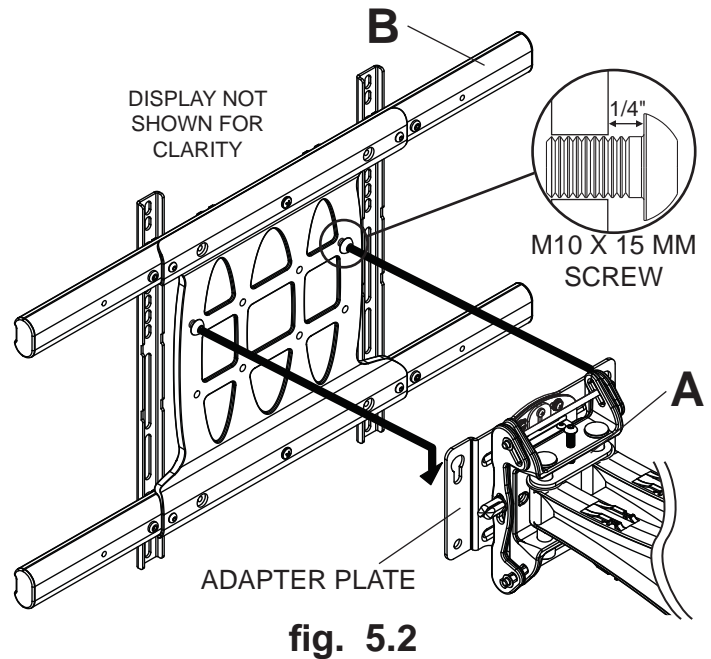
Mounting Flat Panel Display

5 For Dedicated PLP Plate (not evaluated by UL): Refer to PLP model instruction sheet for attachment of dedicated PLP plate to display.

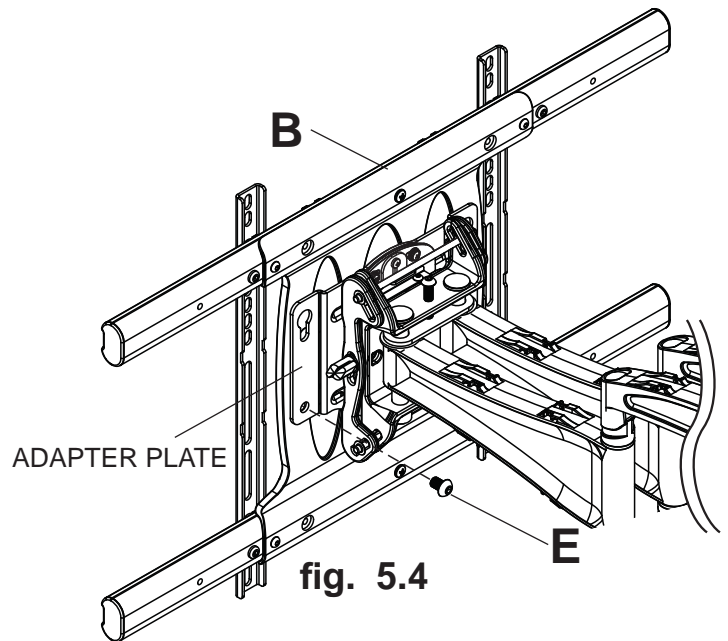
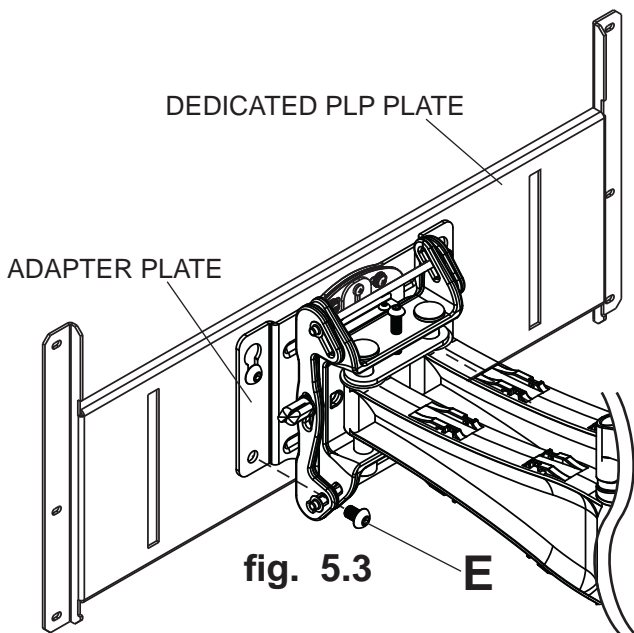
Install two M10 x 15mm screws (provided with dedicated PLP plate) into top two holes of dedicated PLP plate leaving 1/4" of exposed thread as shown in figure 5.1.



For Universal Adapter Bracket: Hook M10 x 15mm screws into keyslots of wall arm adapter plate (A) as shown figure 5.2.



5-1 Insert two M10 x 15mm screws (E) into bottom holes of adapter plate as shown in figure 5.3 or 5.4. Tighten all fasteners with 6mm allen wrench (H).

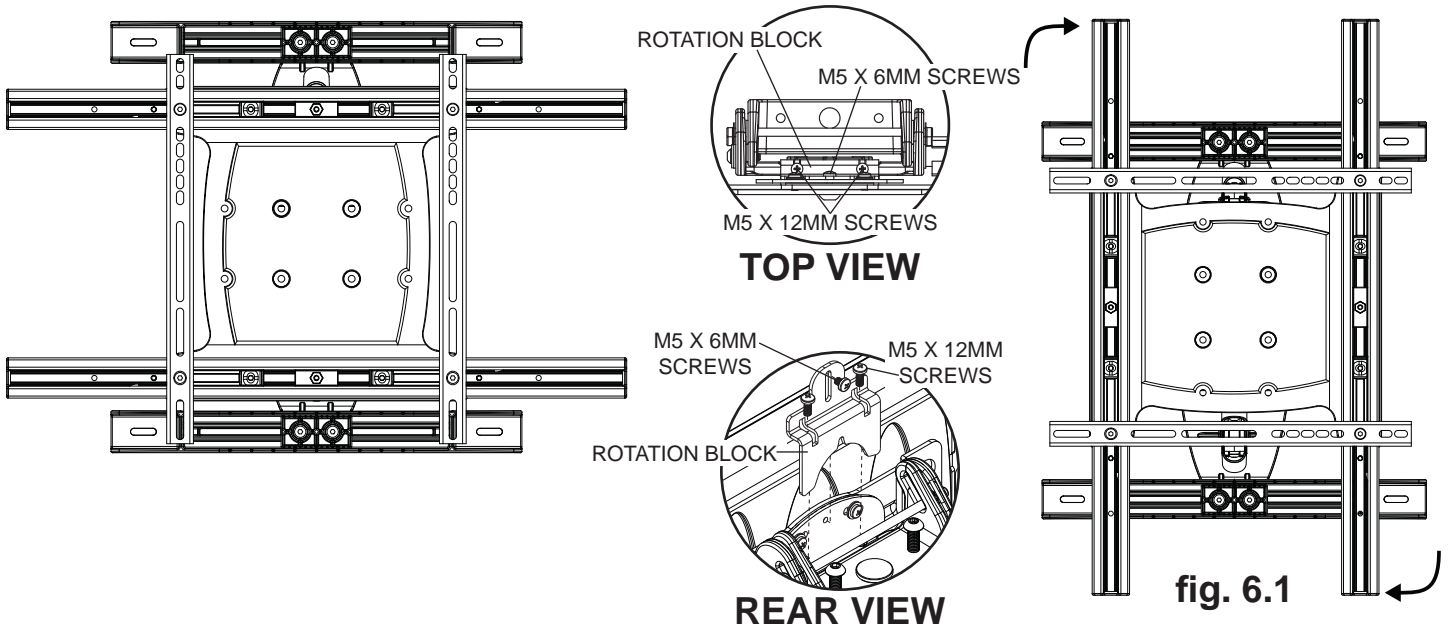


Adjustment of Flat Panel Display

⚠ WARNING

- M10 x 15mm screws (E) must be securely tightened before changing orientation of wall arm assembly (A). Failure to lock adapter bracket can cause display to come off of mount.

- 6 FOR PORTRAIT OR LANDSCAPE DISPLAY ORIENTATION:** Remove two M5 x 12mm screws, one M5 x 6mm screw and rotation block from top of tilt head as shown in top view and rear view. Gently grasp sides of display and rotate display into portrait or landscape position as shown in figure 6.1 and reinstall rotation block with two M5 x 12mm screws and one M5 x 6mm screw. **NOTE:** M5 x 6mm screw required in landscape orientation only.



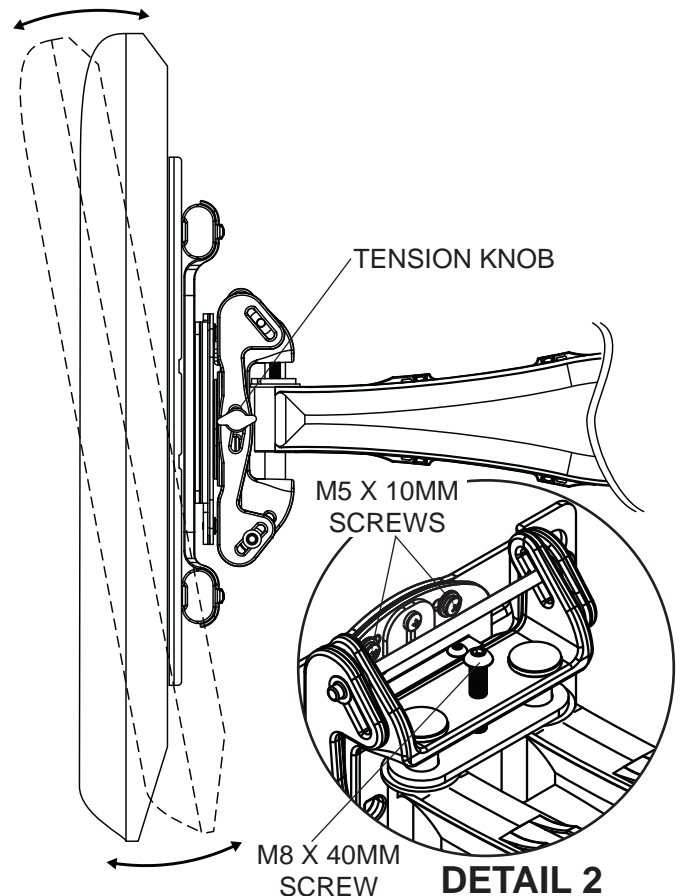
- 7 TILT Adjustment:** Adjust tension knob on side of mount to desired tension to enable tilt adjustment and balance your display size and weight. Push or pull from top or bottom of display to adjust tilt as shown. The tilt can be adjusted to a maximum of 10° forward or 5° backward. Retighten tension knob. **NOTE:** For larger displays, tension screw on opposite side of mount may need to be tightened using 5/32" allen wrench (L).

ROLL Adjustment: Rotate display 5° clockwise or counter-clockwise, level display then tighten M5 x 10mm roll screws using 5mm allen wrench (I) as shown in detail 2.

FOR VERTICAL HEIGHT ADJUSTMENT: Tighten or loosen M8 x 40mm screw to achieve ± 1" of vertical height adjustment as shown in detail 2.

CAUTION

- Do not tighten screws with excessive force.
- Be careful not to pinch fingers when opening and closing mount from the wall.

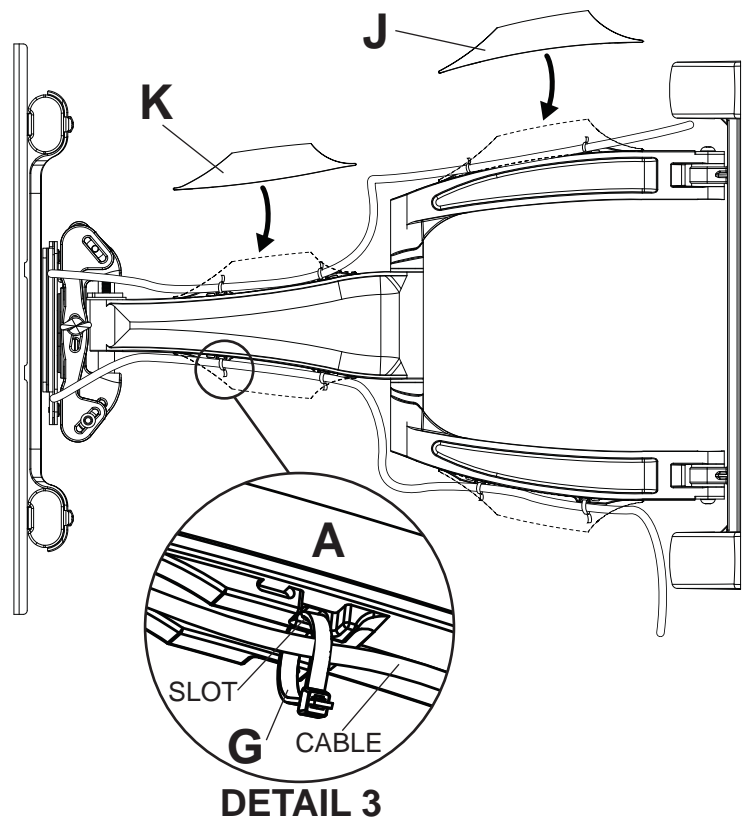


Cable Management

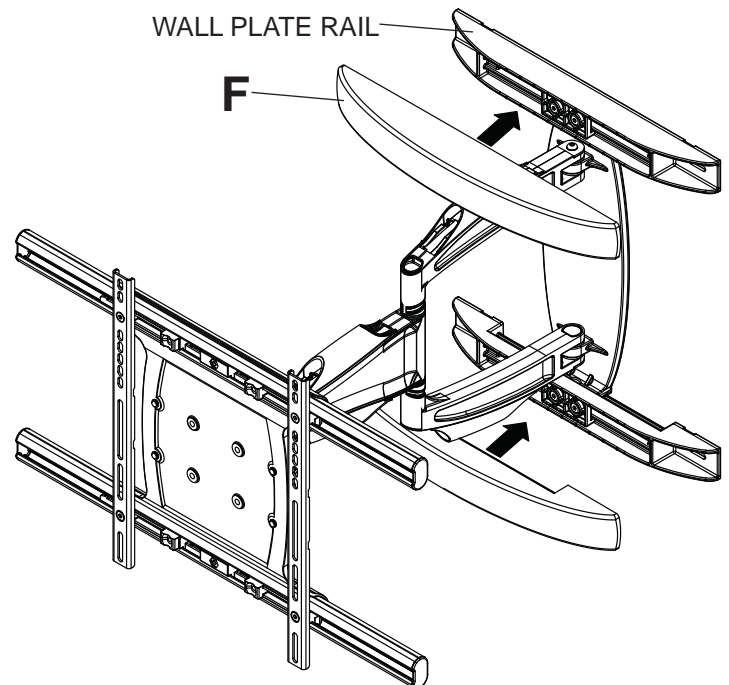
8 **NOTE:** Make sure cables have enough slack to allow full movement of the arm.

Run power cable through top or bottom of arm (A) and signal cable(s) through other side of arm in order to avoid interference with the signal. Lock cables into place by snapping cable covers (J & K) onto mount as shown. Display may have to be moved for easy access.

Optional: If additional cable management is required route cable ties (G) through slots of arm (A) as shown in detail 3.



9 Snap wall plate covers (F) to top and bottom of wall plate rails as shown.

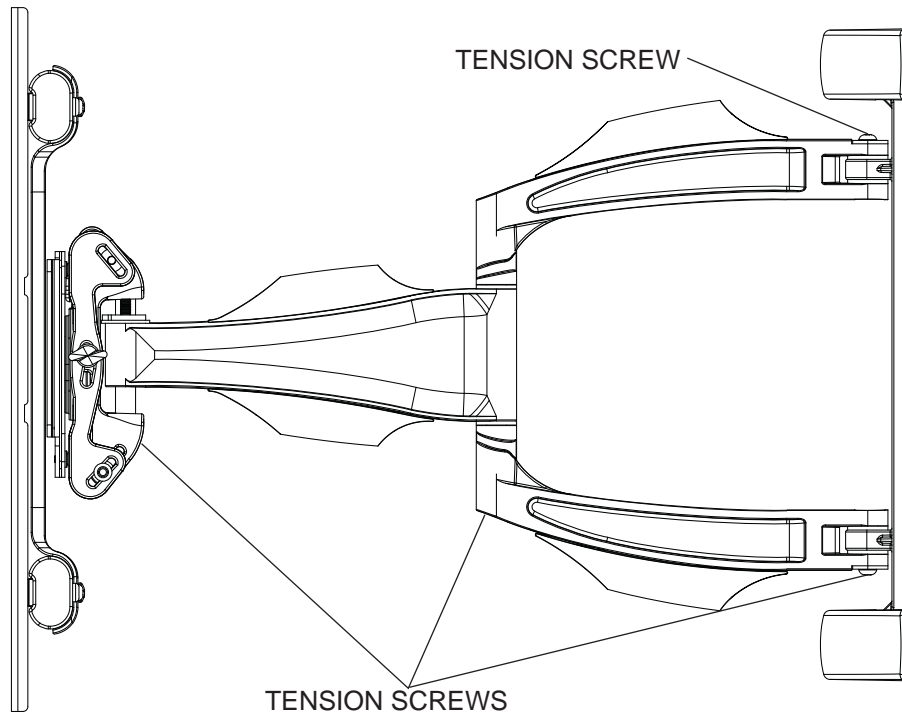


Arm Tension Adjustment

⚠ WARNING

- Do not remove screw or loosen screw until it is no longer engaged with the mount. Doing so may cause the display to fall.
- If screws become loose over time, tighten screws as necessary. Tighten screws to 50 in • lbs (5.6 N.m.) maximum torque.

- 10 If more or less tension is desired in the arm pivot points, do the following:
- To increase tension, turn socket screw clockwise with 5mm allen wrench (I). **NOTE: Tighten screws to 50 in • lbs (5.6 N.m.) maximum torque.**
 - To reduce tension, turn socket screw counter-clockwise with 5mm allen wrench (I). **NOTE: Do not turn more than half a turn.**

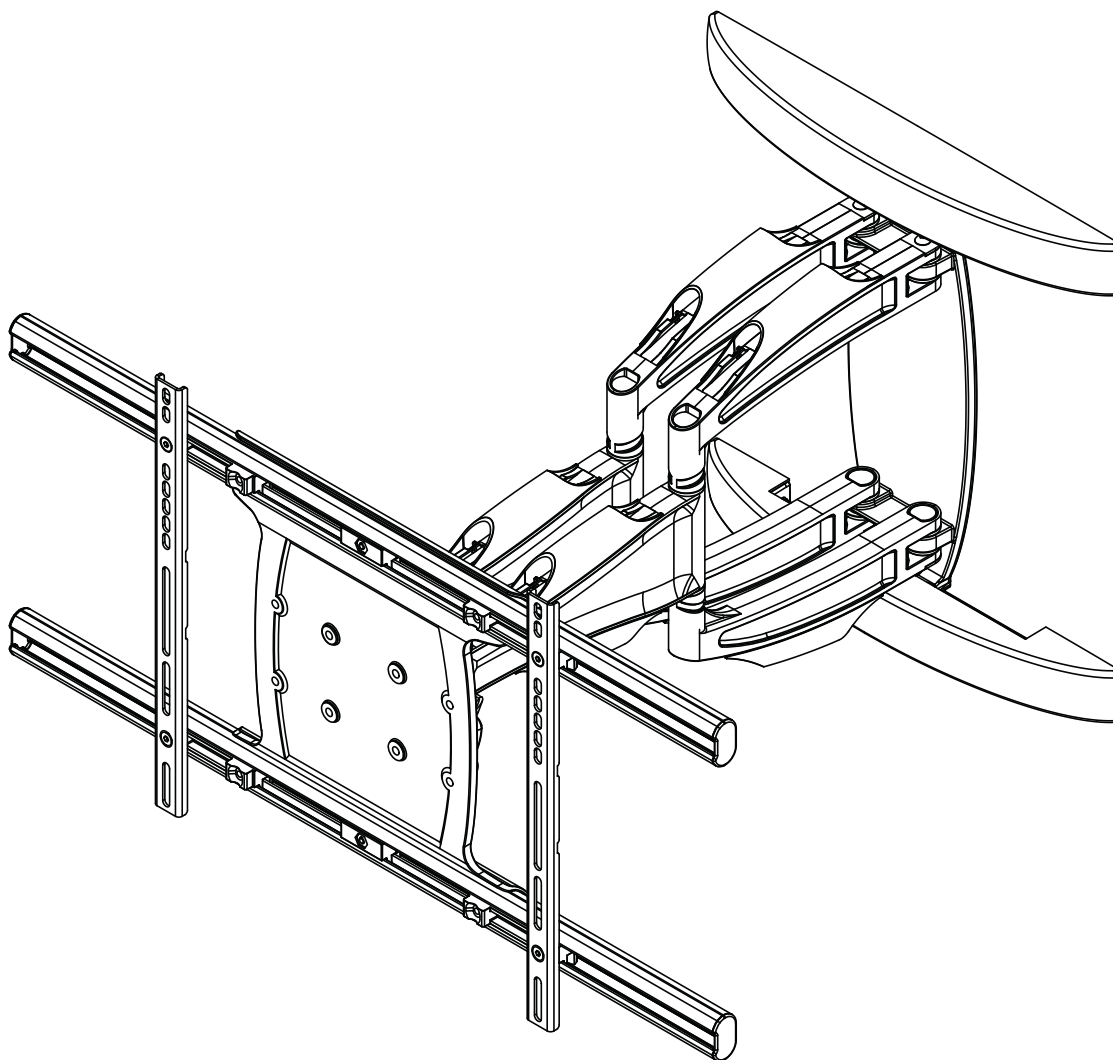




Instalación y montaje:

Soporte articulador resistente a la corrosión para pantallas planas de 37" a 63" para uso en interiores y exteriores

Modelos: ESA763PU



Màxima capacidat de carga: 200 lb (90.7 kg)

NOTA: Lea la hoja de instrucciones completa antes de comenzar la instalación y el ensamblaje.

▲ ADVERTENCIA

- No comience a instalar su producto de Peerless hasta haber leído y entendido las instrucciones y las advertencias contenidas en la Hoja de Instalación. Si tiene alguna pregunta acerca de cualquiera de las instrucciones o las advertencias, por favor, llame a Servicio al Cliente de Peerless al 1-800-865-2112 si está en EE. UU. Si es un cliente internacional, por favor, comuníquese con su distribuidor local.
- Este producto sólo debe ser instalado por una persona que tenga una buena aptitud mecánica, que tenga experiencia en construcción básica de edificios y que entienda estas instrucciones en su totalidad.
- Debido a condiciones ambientales, como grandes cantidades de nieve, granizo, lluvia, etc., el soporte y los accesorios se tienen que inspeccionar, por lo menos, una vez al año. Este producto no debe estar expuesto a fuertes vientos. Un instalador o inspector calificado debe revisar el soporte para detectar señales de oxidación, sujetadores sueltos, metales doblados, etc. Si se detectan señales de desgaste excesivo, deterioro o cualquier condición que no sea segura, se debe discontinuar el uso del producto de inmediato. Dirija todas sus preguntas a Servicio al Cliente, si tiene alguna.
- Asegúrese de que la superficie de apoyo sostendrá, con seguridad, la carga combinada del equipo y todos los fijadores y componentes.
- Nunca sobrepase la capacidad máxima de soportar carga aceptada por Underwriters Laboratories. Vea la página 17.
- Si va a instalar el producto en una pared con montantes de madera, asegúrese de que los tornillos de montaje estén anclados en el centro de los montantes. Se recomienda utilizar un localizador de montantes de "borde a borde".
- Siempre cuente con la ayuda de un asistente o utilice un equipo mecánico de izar para levantar y colocar el equipo con más seguridad.
- Apriete los tornillos con firmeza, pero no en exceso. Apretarlos en exceso puede dañar los artículos y puede disminuir significativamente su fuerza de fijación.
- Este producto fue diseñado para ser instalado en paredes con la siguiente construcción solamente:

CONSTRUCCIÓN DE LA PARED

- Montante de madera
- Viga de madera
- Concreto macizo
- Bloque de hormigón de escorias
- Montante de metal

- Ladrillo
- ¿Otra superficie o no está seguro?

ACCESORIOS NECESARIOS

- Incluido
- Incluido
- Incluido
- Incluido
- No lo instale excepto con el juego de accesorios de Peerless para montantes de metal (no evaluados por UL)
- Comuníquese con un profesional calificado (no evaluados por UL)
- Comuníquese con un profesional calificado

Herramientas necesarias para el ensamblaje

- localizador de montantes (se recomienda uno de "borde a borde")
- destornillador phillips
- taladro
- broca de 13/32" (10 mm) para paredes de concreto y de bloque de hormigón de escorias, broca de 3/16" (5 mm) para paredes con montantes de madera
- nivel

Tabla de Contenido

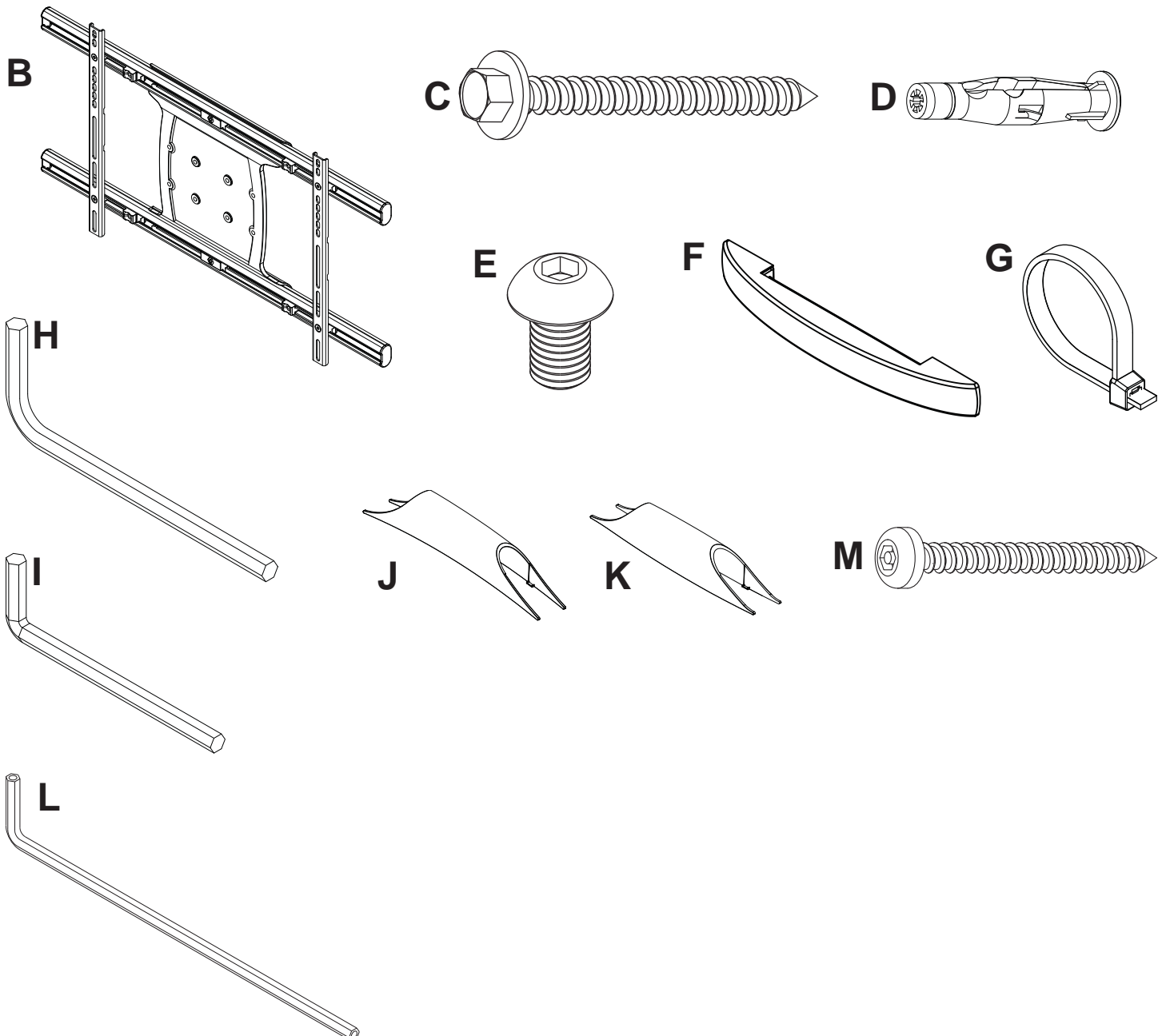
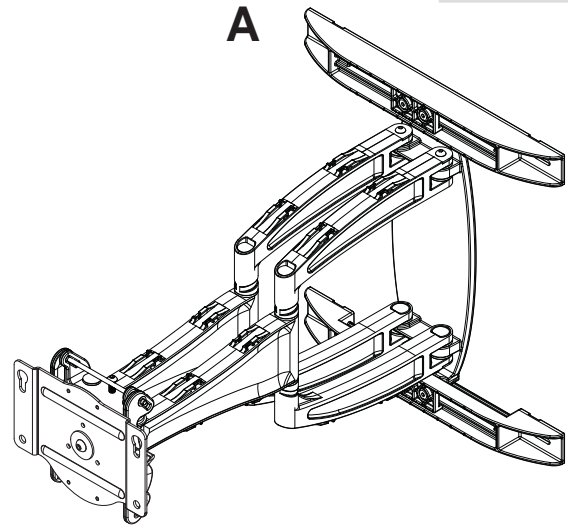
Lista de piezas.....	19, 20
Instalación en una pared	22, 23
Instalación del soporte adaptador universal.....	24-28
Instalación de la pantalla plana	29
Manejo de los cables.....	32

Antes de empezar, asegúrese de que todas las piezas que se muestran son incluidos con su producto.

Lista de piezas

Descripción	ESA763PU	
	Cant.	N° de pieza
A brazo de pared	1	095-T1994
B soporte adaptador universal	1	095-T1635-2
C 3" tornillos para madera	3	520-D1243
D 10mm anclajes de concreto	4	590-0321
E tornillos de M10 x 15mm	2	520-D1262
F cubiertas de la placa de pared	2	590-1325
G sujetacables	16	590-1168
H llave allen de 6mm	1	560-9716
I llave allen de 5mm	1	560-9640
J Cubierta trasera para cables	4	590-P1326
K Cubierta delantera para cables	4	590-P1327
L llave allen de 5/32"	1	560-9646
M 2.5" tornillo de seguridad para madera	1	520-D1668

Las piezas pueden verse un poco distintas a la ilustración.



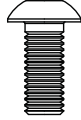
Fijaciones para los soportes adaptadores



M4 x 12 mm (6)
(510-D1079)



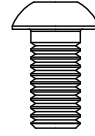
M4 x 25 mm (4)
(510-D1082)



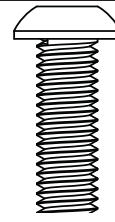
M5 x 12 mm (4)
(520-D1064)



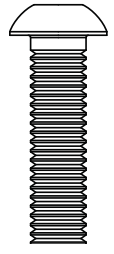
M5 x 25 mm (4)
(520-D1122)



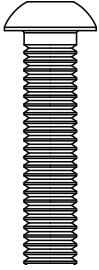
M6 x 12 mm (4)
(520-D1050)



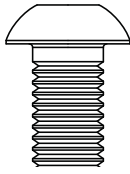
M6 x 20 mm (4)
(520-D1554)



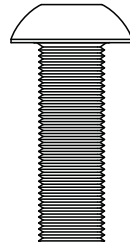
M6 x 25 mm (4)
(520-D1211)



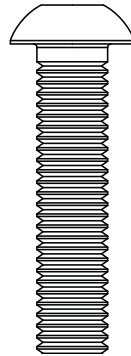
M6 x 30 mm (4)
(520-D1067)



M8 x 12 mm (6)
(520-D1068)



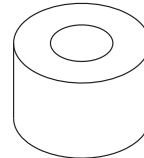
M8 x 25 mm (4)
(520-D1101)



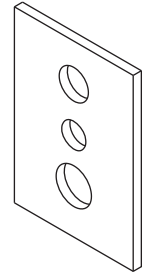
M8 x 40 mm (4)
(520-D1152)



I.D. .22" (4)
(540-1057)



I.D. .34" (4)
(540-1059)



arandela
múltiple (6)
(580-1036)

Ajuste horizontal opcional del brazo de pared en la placa de pared

1 **NOTA:** Si el brazo de pared (A) se va a instalar en una pared con montantes de madera, las ranuras de la placa de pared se tienen que alinear con los montantes.

Señale el punto donde quiere que quede el centro de la pantalla, como se explica en el paso 2.

Mida la distancia desde el centro del brazo de pared (A) hasta el punto donde quiere que quede el centro de la pantalla. Afloje los cuatro tornillos de 1/4-20 x 17mm utilizando una llave allen de 5mm (I). Deslice la unidad del brazo de pared 4-1/2" hacia la izquierda o la derecha, como se muestra en la figura 1.1. **NOTA:** Alinee los biseles (puntos) de la placa deslizable con los biseles (puntos) de los rieles de la placa de pared, como se muestra en el detalle 1; luego, vuelva a apretar los tornillos de 1/4-20 x 17mm.

No ajuste el brazo de pared si la pantalla ya se ha fijado al mismo.

Proceda a la página 22 para leer las instrucciones de instalación en una pared con montantes de madera.

Proceda a la página 23 para leer las instrucciones de instalación en una pared de concreto macizo o de bloques de hormigón de escorias.

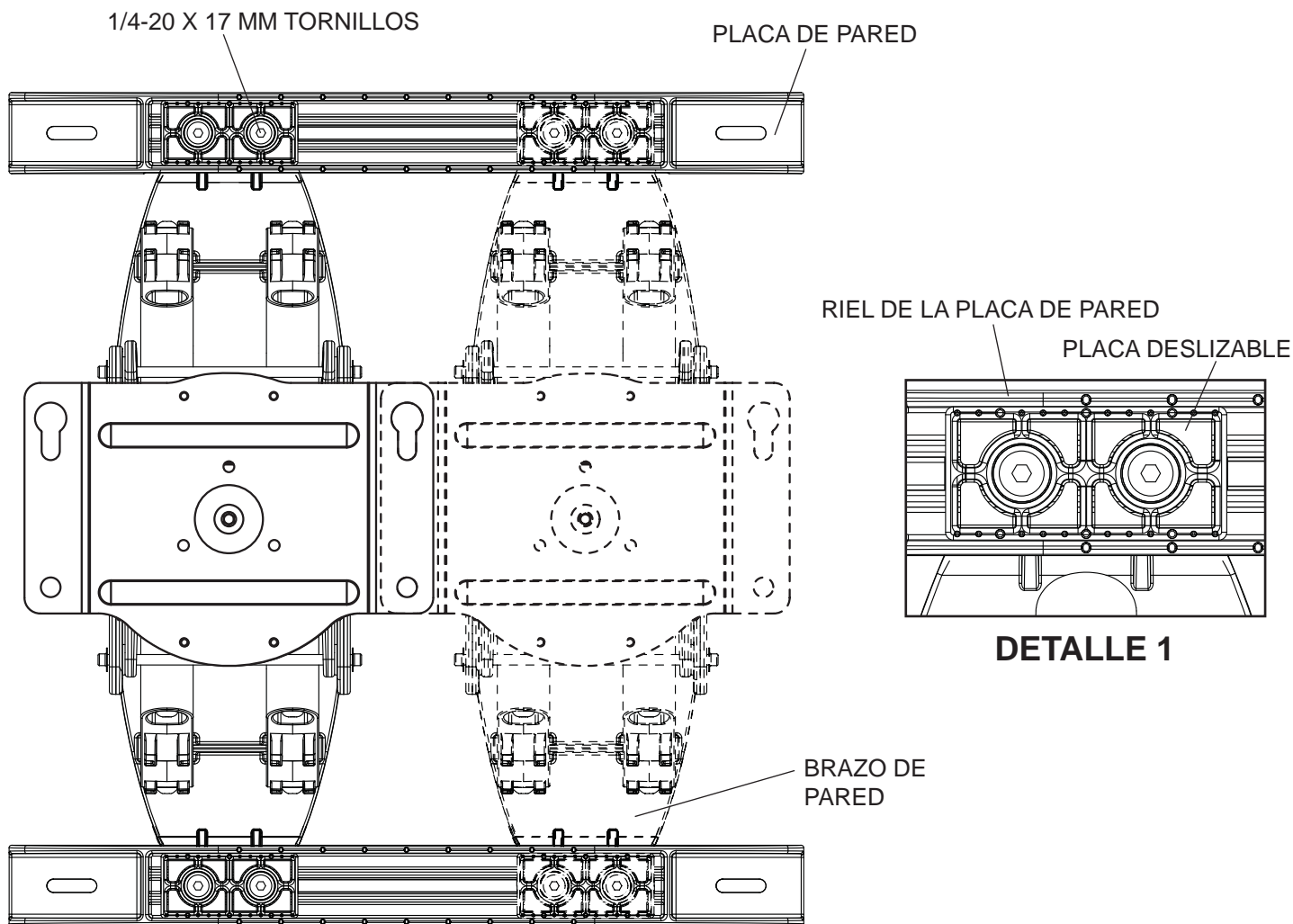


fig. 1.1

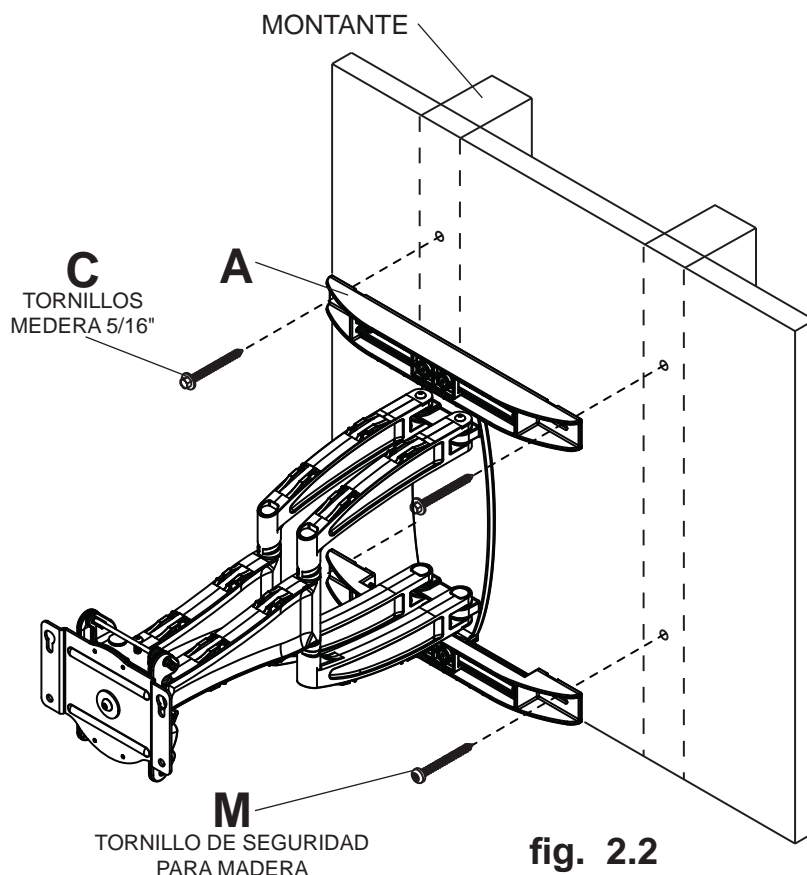
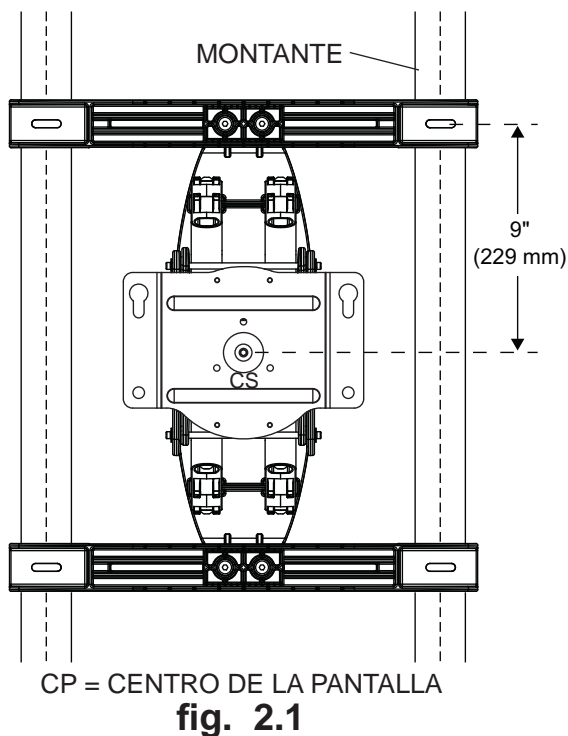
Instalación en una pared con montante de madera único

⚠ ADVERTENCIA

- El instalador debe verificar que la superficie de apoyo sea capaz de soportar firmemente la carga combinada del equipo y todos los herrajes y componentes.
- Apriete los tornillos para madera de tal modo que la placa de apoyo quede firmemente sujeta, pero no apriete en exceso. El apriete excesivo puede dañar los tornillos, reduciendo enormemente su fuerza de fijación.
- Nunca apriete más de 80 pulg-lb (9 N•m).
- Asegúrese de que los tornillos de montaje queden bien fijos en el centro del montante. Se recomienda usar un localizador de montantes de "borde a borde".
- Los herrajes suministrados son para fijar el soporte a través de tabique de yeso-cartón o yeso de espesor estándar a los montantes de madera. Los instaladores son responsables de suministrar los herrajes para otros tipos de situaciones de montaje (no evaluados por UL).

2 Utilizando un localizador de montantes, localice y marque los bordes de los montantes de madera. Se recomienda utilizar un localizador de montantes de "borde a borde". Utilice un nivel para trazar una línea vertical por el centro de cada montante. Coloque la plantilla de la placa de pared (brazo de pared) nivelada contra la pared y marque el centro de los cuatro agujeros de montaje en el centro de cada montante de madera. Los agujeros de montaje superiores deben estar ubicados a 9" (229mm) encima del punto donde quiere que quede el centro de la pantalla, como se muestra en la figura 2.1, según la tabla 1 de abajo. Taladre cuatro agujeros de 3/16" (5mm) de diámetro con una profundidad de 3" (76mm). Fije el brazo de pared (**A**) en la pared usando tres tornillos para madera (**C**) y un tornillo de seguridad para madera (**M**), como se muestra en la figura 2.2.

Nivele la placa de pared y apriete todos los sujetadores.



Instalación en una pared de concreto macizo o de bloques de hormigón de escorias

⚠ ADVERTENCIA

- Cuando instale soportes de pared Peerless en bloques de hormigón de escorias, verifique que tengan un mínimo de 1-3/8" (35mm) de superficie efectiva de concreto en el agujero que va a utilizar para los anclajes de concreto. ¡No perforo en las juntas de mortero! Asegúrese de instalar el soporte en una parte sólida del bloque, generalmente a un mínimo de 1" (25mm) del costado del bloque. El bloque de hormigón de escorias debe ser de conformidad con las especificaciones C-90 de ASTM. Se sugiere taladrar el agujero con un taladro eléctrico normal en velocidad lenta en vez de un taladro percutor para evitar romper la parte trasera del agujero al entrar en un espacio o cavidad.
- El concreto debe tener una densidad mínima de 2000 psi. Un concreto menos denso podría no ser capaz de sujetar el anclaje para concreto.
- El instalador debe verificar que la superficie de apoyo sea capaz de soportar firmemente la carga combinada del equipo y todos los herrajes y componentes.

- 2** Coloque la plantilla de la placa de pared (brazo de pared) para marcar los puntos de los agujeros de montaje. Los agujeros de montaje superiores deben estar ubicados a 9" (229mm) encima del punto donde quiere que quede el centro de la pantalla, como se muestra en la figura 2.1 y en la tabla 1 de la página 22. Taladre cuatro agujeros de 13/32" (10mm) de diámetro y 3" (76mm) de profundidad, como se muestra en la figura 2.3. Inserte los anclajes (D) en los agujeros a ras con la pared, como se muestra (a la derecha). Coloque el brazo de pared (A) sobre los anclajes y fíjelo usando tres tornillos para madera (C) y un tornillo de seguridad para madera (M). Nivele y apriete todos los sujetadores. Nivele y apriete todos los sujetadores.

⚠ ADVERTENCIA

- Apriete los tornillos de tal modo que la placa de apoyo quede firmemente sujeta, pero no los apriete en exceso. El apriete excesivo puede dañar los tornillos, reduciendo enormemente su fuerza de fijación.
- Nunca apriete más de 80 pulg-lb (9 N•m).
- Siempre fije los anclajes de expansión directamente al concreto que soporta carga.
- Nunca fije los anclajes de expansión a una pared de concreto recubierta con yeso, tabiques de yeso-cartón u otro material de acabado. Si el montaje a superficies de concreto recubiertas con una superficie de acabado es inevitable (no evaluados por UL), será necesario escariar el acabado, como se muestra más abajo. Asegúrese de que los anclajes de concreto no se alejen del concreto al apretar los tornillos. Si el grosor de la pared de yeso/tabique de yeso-cartón es mayor que 5/8" (16mm), el instalador deberá suministrar fijaciones especiales (no evaluados por UL).

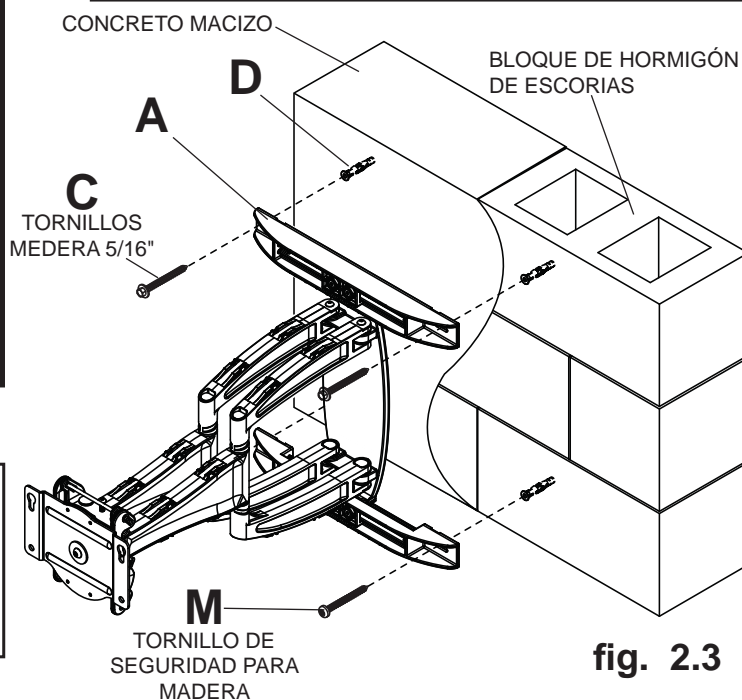
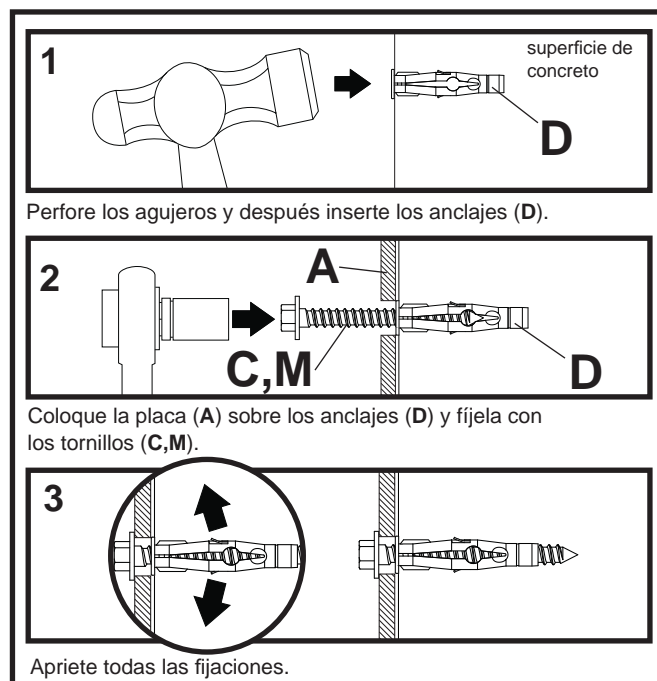
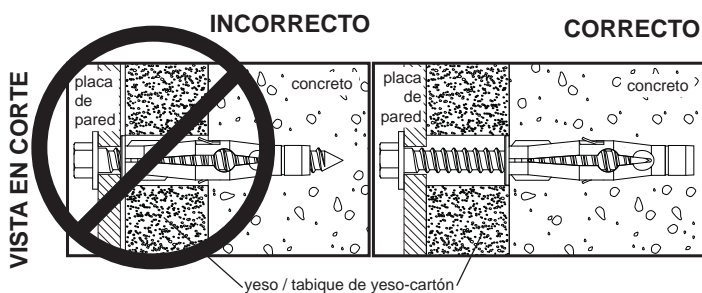


fig. 2.3

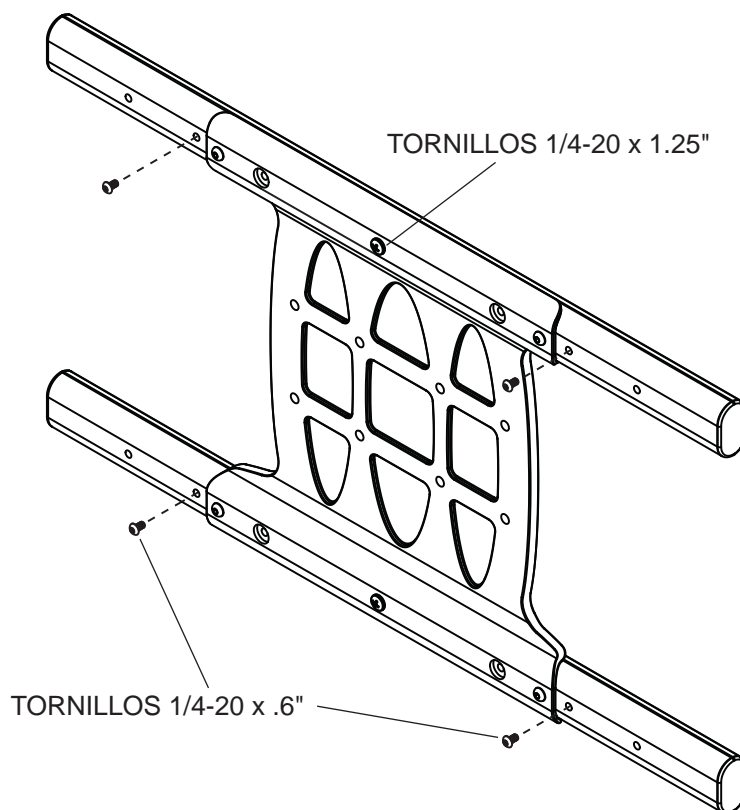
Instalación de los soportes adaptadores

NOTA: Si la pantalla tiene una configuración de montaje horizontal VESA 400, proceda al paso 3-3 o al 3-4 de la página 26.

NOTA: Si la pantalla tiene una configuración de montaje horizontal VESA 200x200 o VESA 200 x 100, proceda al paso 4 de la página 27.

NOTA: Para instalar la placa exclusiva PLP, proceda al paso 5 de la página 29.

Quite los cuatro tornillos de 1/4-20 x .6" utilizando una llave allen de 5 mm (I) y afloje los dos tornillos de 1/4-20 x 1.25" 1/2 vuelta para poder ajustar el soporte de la pantalla.



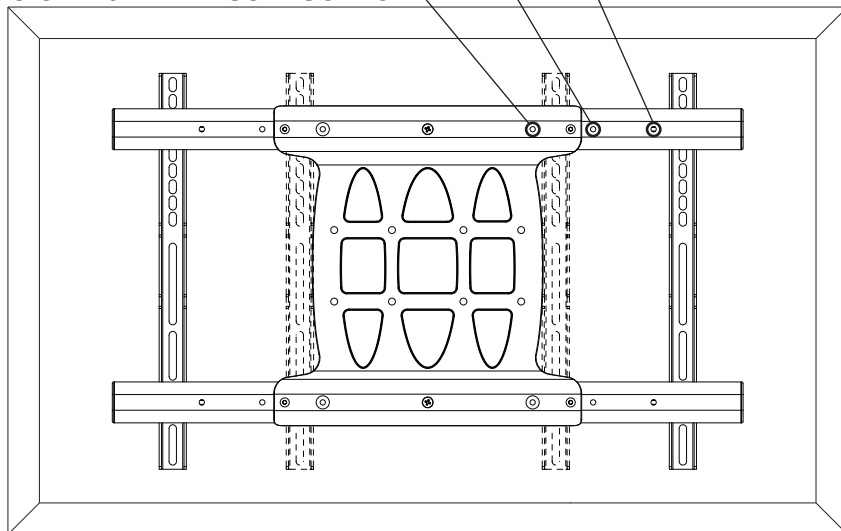
3-1

Para evitar que se raye la pantalla, coloque un trapo sobre una superficie plana y nivelada que sostenga el peso de la pantalla. Coloque la pantalla boca abajo y se refieren a la pantalla las instrucciones del fabricante para eliminar las obstrucciones de la parte posterior de la pantalla. Ajuste los soportes de la pantalla para alinear con los agujeros de montaje de pantalla.

Mida la configuración de montaje horizontal y escoja una posición fija de descanso de la tabla de abajo.

configuración de montaje horizontal	posición fija de descanso
10-3/4" - 16-1/16" (273 - 408 mm)	#1
15-1/16" - 21-9/16" (383 - 548 mm)	#2
20-7/16" - 27-9/16" (519 - 700 mm)	#3

POSICIÓN FIJA DE DESCANSO N.O 3
 POSICIÓN FIJA DE DESCANSO N.O 2
 POSICIÓN FIJA DE DESCANSO N.O 1



Instalación de los soportes adaptadores

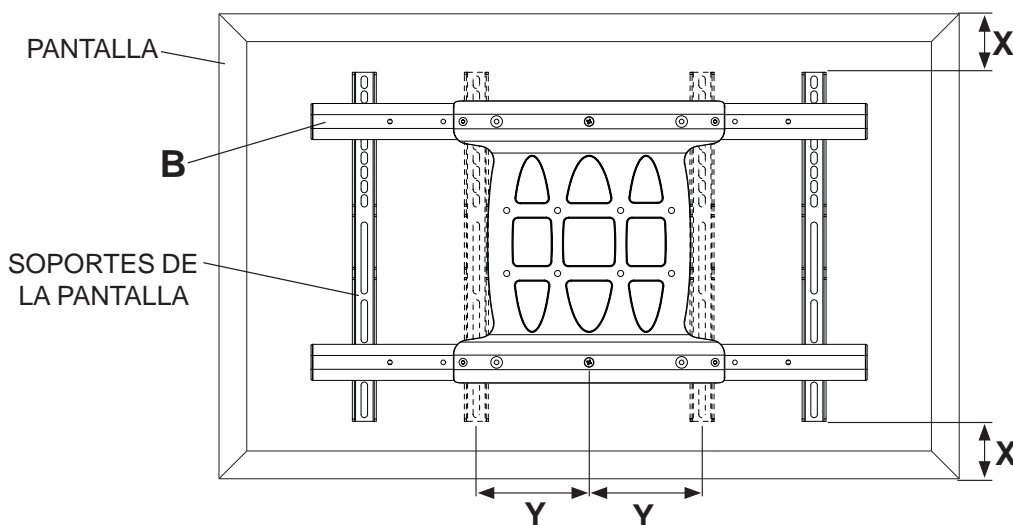
⚠ ADVERTENCIA

- Apriete los tornillos de tal modo que los soportes adaptadores queden firmemente sujetos. No apriete aplicando demasiada fuerza. El apriete excesivo puede causar daño por esfuerzo a los tornillos, reduciendo enormemente su fuerza de fijación y causando el posible desprendimiento de sus cabezas. Apriete los tornillos a 40 pulg-lb (4.5 N•m) de par torsor máximo.
- Si los tornillos no pueden atornillarse con tres vueltas completas en los insertos de la pantalla, o si los tornillos topan fondo y la placa todavía no está firmemente sujeta, se podría dañar la pantalla o causar la falla del producto.

3-2 Escoja los tornillos de los sujetadores identificados y clasificados en las divisiones del empaque plástico y luego fije los soportes de la pantalla siguiendo el paso 3-3 o el paso 3-4 de la página 26.

NOTA: Siempre se tienen que usar los agujeros superiores y los inferiores para la instalación de los soportes de la pantalla. También se deben usar los agujeros centrales en los casos en los que los sujetadores y las pantallas lo permitan. Verifique que todos los agujeros estén debidamente alineados; luego, apriete los tornillos utilizando un destornillador phillips.

CENTRALICE LOS SOPORTES DE LA PANTALLA VERTICALMENTE EN LA PARTE TRASERA DE LA PANTALLA



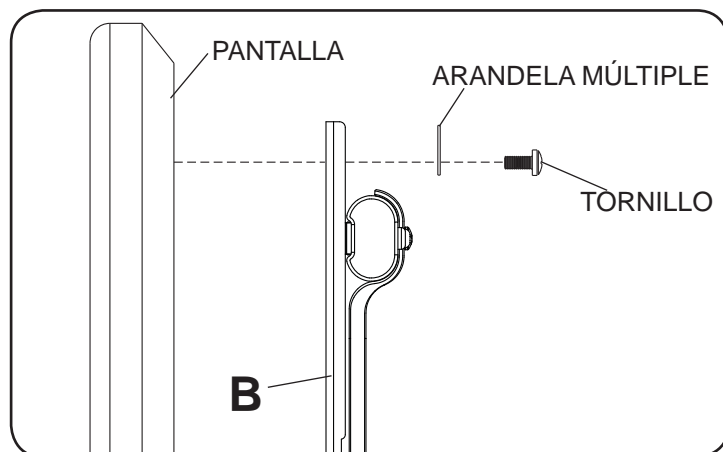
NOTA: Las dimensiones "X" deben ser iguales.
Las dimensiones "Y" deben ser iguales.

Instalación de un televisor que tiene la parte posterior plana

- 3-3** Comience con uno de los tornillos más cortos, enrósquelo, con la mano, a través de la arandela múltiple y el soporte de la pantalla (**B**) a la parte posterior de la pantalla, como se muestra abajo. El tornillo tiene que dar, por lo menos, tres vueltas completas dentro del agujero de montaje y debe quedar ajustado en su lugar. No apriete los tornillos en exceso. Si el tornillo no puede dar tres vueltas completas al entrar en la parte posterior de la pantalla, seleccione un tornillo más largo de los sujetadores identificados y clasificados en las divisiones del empaque plástico. Siga el mismo procedimiento con los agujeros de montaje restantes, nivele los soportes de la pantalla y apriete los tornillos.

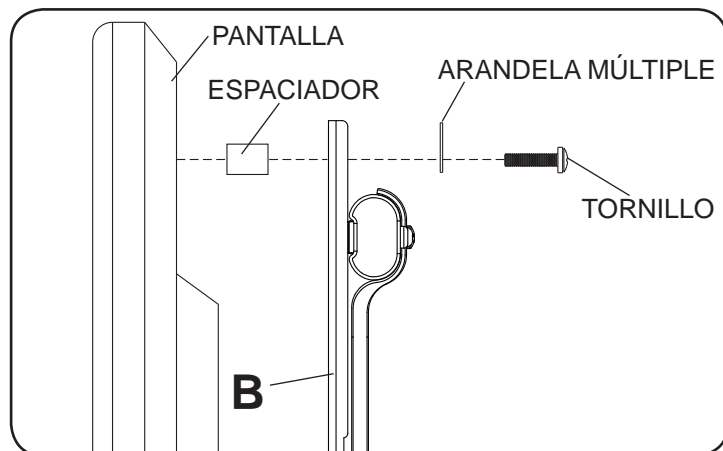
NOTA: Es posible que no necesite usar los espaciadores, dependiendo del tipo de pantalla.

Proceda al paso 3-5.

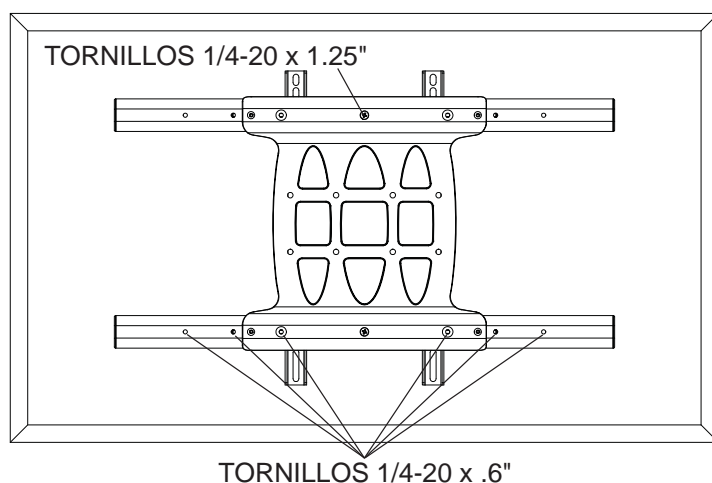


Instalación de un televisor que tiene la parte posterior abultada o empotrada

- 3-4** Comience con uno de los tornillos más largos, enrósquelo, con la mano, a través de la arandela múltiple, los soportes de la pantalla (**B**) y el espaciador, en ese orden, a la parte posterior de la pantalla, como se muestra abajo. El tornillo tiene que dar, por lo menos, tres vueltas completas dentro del agujero de montaje y debe quedar ajustado en su lugar. No apriete los tornillos en exceso. Si el tornillo no puede dar tres vueltas completas al entrar en la parte posterior de la pantalla, seleccione un tornillo más largo de los sujetadores identificados y clasificados en las divisiones del empaque plástico. Siga el mismo procedimiento con los agujeros de montaje restantes, nivele los soportes de la pantalla y apriete los tornillos.



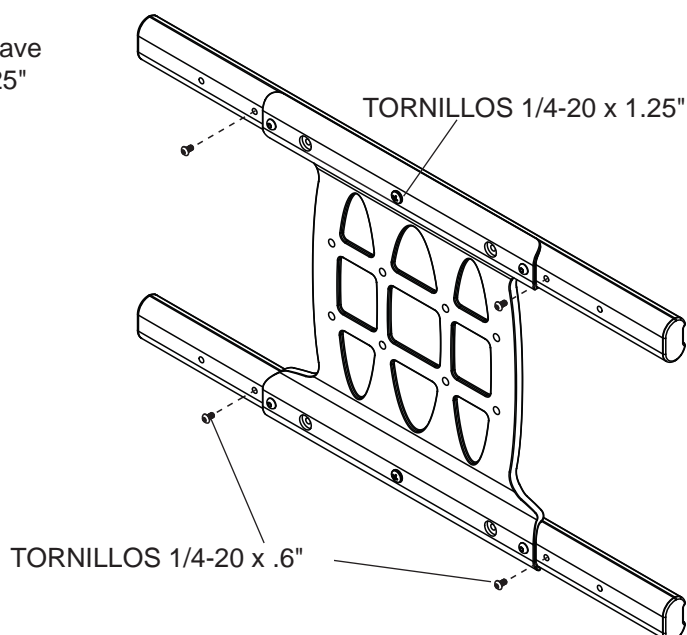
- 3-5** Centralice los soportes de la pantalla horizontal y verticalmente en la parte trasera de la pantalla. Apriete los dos tornillos de 1/4-20 x 1.25". Reinstale los cuatro tornillos de 1/4-20 x .6" utilizando una llave allen de 5 mm (**I**) en la posición fija de descanso apropiada de la tabla de la página 24.



VESA 200 x 200 o VESA 200 x 100 Patrón de montaje

4

Quite los cuatro tornillos de 1/4-20 x .6" utilizando una llave allen de 5mm (I) y afloje los dos tornillos de 1/4-20 x 1.25" 1/2 vuelta para poder ajustar el soporte de la pantalla.



4-1

Quite los cuatro tornillo autorroscante de 1/4-20 para retirar los soportes de la pantalla del soporte adaptador universal (B) utilizando una llave allen de 5mm (I), como se muestra, como se muestra en la figura 4.1. Reinstale los cuatro tornillo autorroscante de 1/4-20 para fijar los soportes de pantalla en el grupo interior de agujeros de montaje en el soporte adaptador universal (B), como se muestra en la figura 4.2.

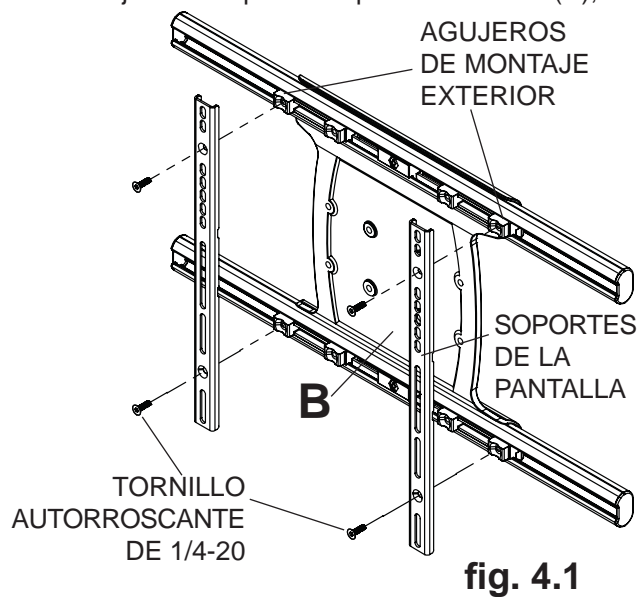


fig. 4.1

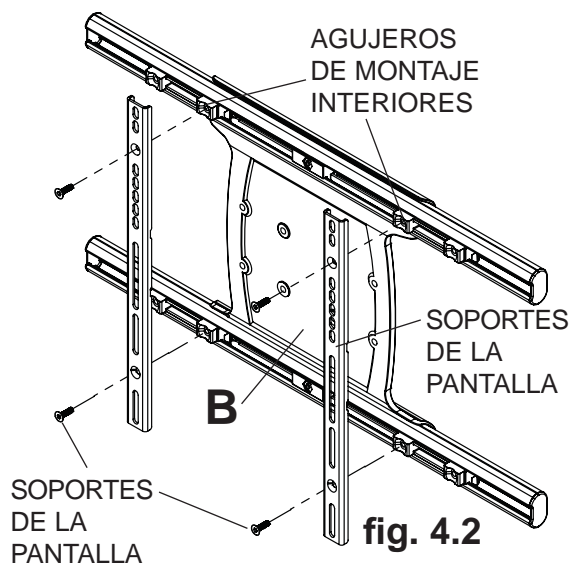
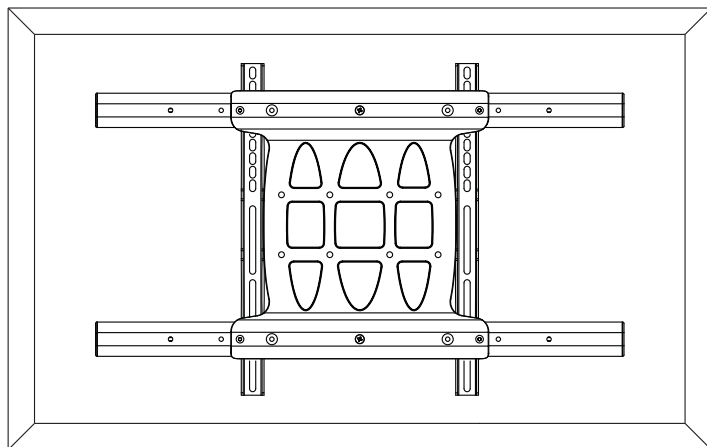


fig. 4.2

Para evitar que se raye la pantalla, coloque un trapo sobre una superficie plana y nivelada que sostenga el peso de la pantalla. Coloque la pantalla boca abajo y coloque el soporte adaptador universal (B) en la pantalla.

Touchboards

205 Westwood Ave, Long Branch, NJ 07740
 Phone: 866-94 BOARDS (26273) / (732)-222-1511
 Fax: (732)-222-7088 | E-mail: sales@touchboards.com



VESA 200 x 200 o VESA 200 x 100 Patrón de montaje (continuación)

4-2 Alinee uno de los soportes de la pantalla con uno de los grupos de agujeros de montaje de la pantalla.

Comience con el tornillo de longitud más corta, la mano de rosca a través de múltiples soportes de la pantalla y la arandela de la pantalla, como se muestra. El tornillo debe dar por lo menos tres vueltas completas dentro del agujero de montaje y debe quedar ajustado en su lugar. No apriete en exceso. Si el tornillo no puede dar tres vueltas completas en la pantalla, seleccione un tornillo más largo de la bolsa de tornillos ordenados. Centralice los soportes de la pantalla verticalmente y apriete los tornillos.

NOTA: Si la pantalla tiene la parte posterior abultada o empotrada, puede utilizar el espaciador. El espaciador va entre el soporte de la pantalla y la pantalla.

4-3 Deslice el soporte adaptador universal hasta el lado opuesto y alinee el segundo soporte de la pantalla con el otro grupo de agujeros de montaje de la pantalla.

Enrosque los tornillos, con la mano, a través de la arandela múltiple, el soporte de la pantalla y el espaciador, si lo utilizó, en la pantalla, como se muestra. Apriete todos los tornillos.

4-4 Centralice los soportes de la pantalla horizontalmente en la parte trasera de la pantalla, como se muestra en la figura 4.3.

Apriete los dos tornillos de 1/4-20 x 1.25". Reinstale los cuatro tornillos de 1/4-20 x .6" utilizando una llave allen de 5mm (I) en la posición fija de descanso, como se muestra en la figura 4.4.

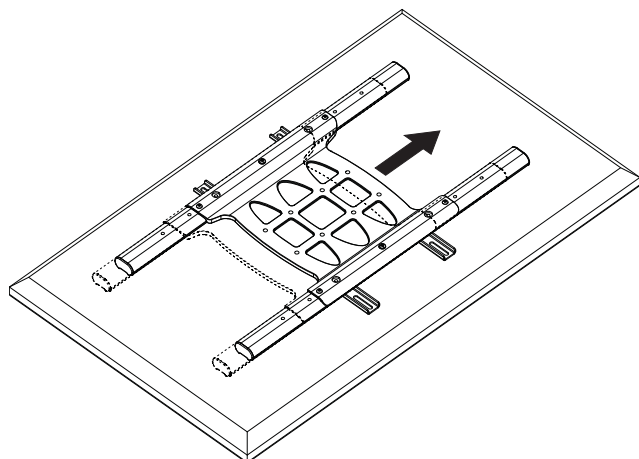
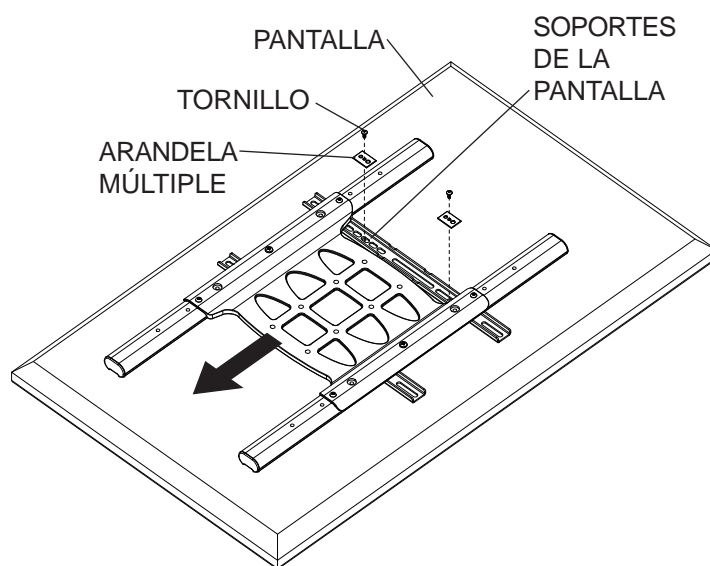
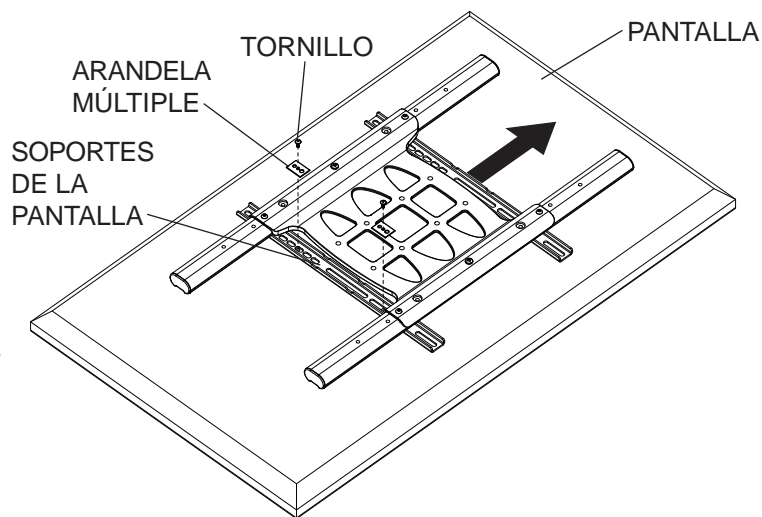


fig. 4.3

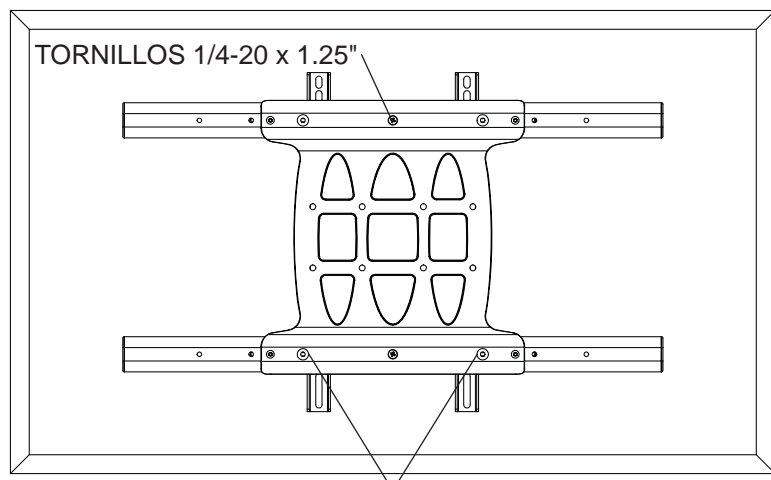


fig. 4.4 POSICIÓN FIJA DE DESCANSO N.º 1
CON TORNILLOS DE 1/4-20 x .6"

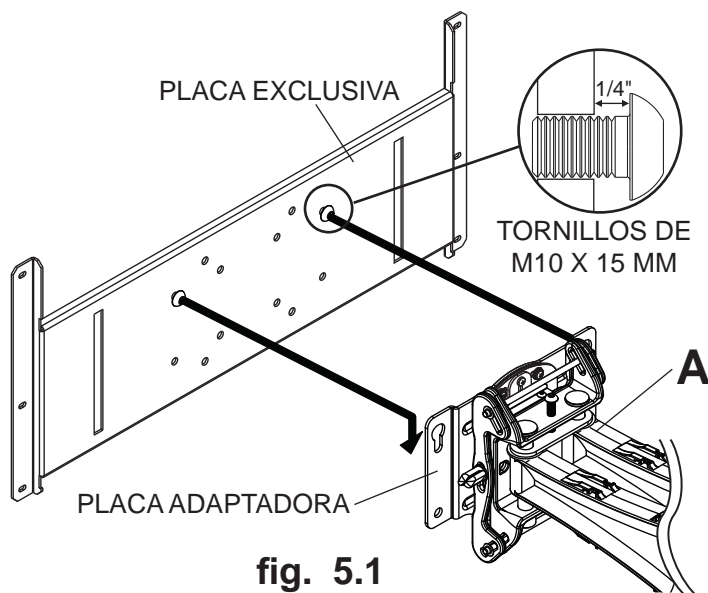
⚠ ADVERTENCIA

- No levante más peso del que puede manejar. Cuenten con otra persona que lo ayude o utilice un equipo mecánico de izar para levantar y colocar la pantalla con seguridad.
- No apriete los tornillos con fuerza excesiva. Apretarlos en exceso puede dañar el soporte. Apriete los tornillos M10 x 15mm (E) a un máximo de 40 pulg-lb (4.5 N•m) de par torsor.

Instalación de la pantalla plana

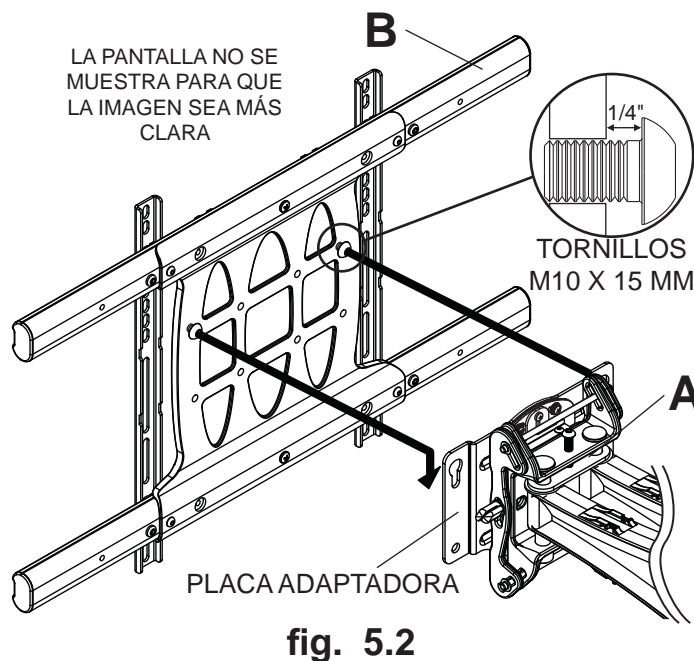
- 5** **Instalación de la placa exclusiva PLP (no evaluados por UL):** Consulte la hoja de instrucciones del modelo PLP para saber cómo fijar la placa exclusiva PLP a la pantalla.

Instale dos tornillos de M10 x 15mm en los dos agujeros superiores de la placa exclusiva PLP dejando aproximadamente 1/4" de la rosca expuesta, como se muestra en la figura 5.1.

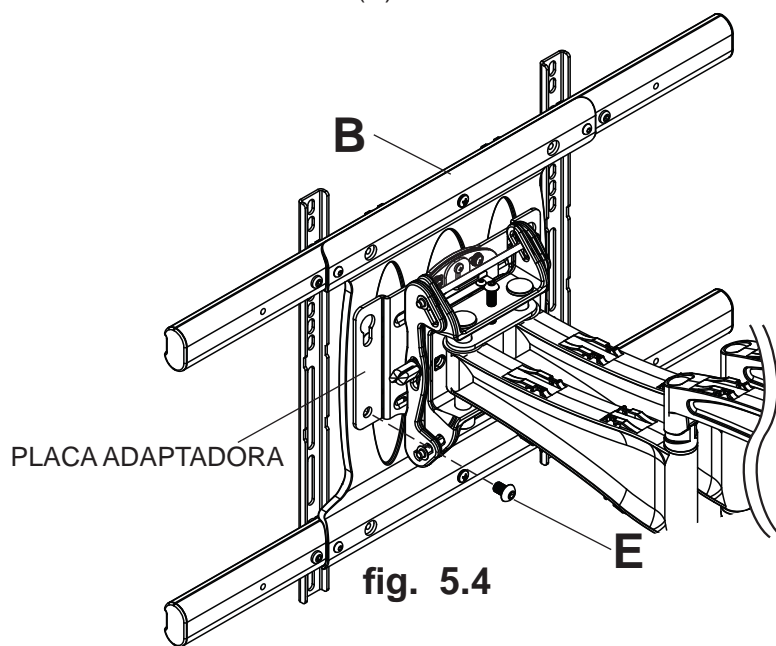
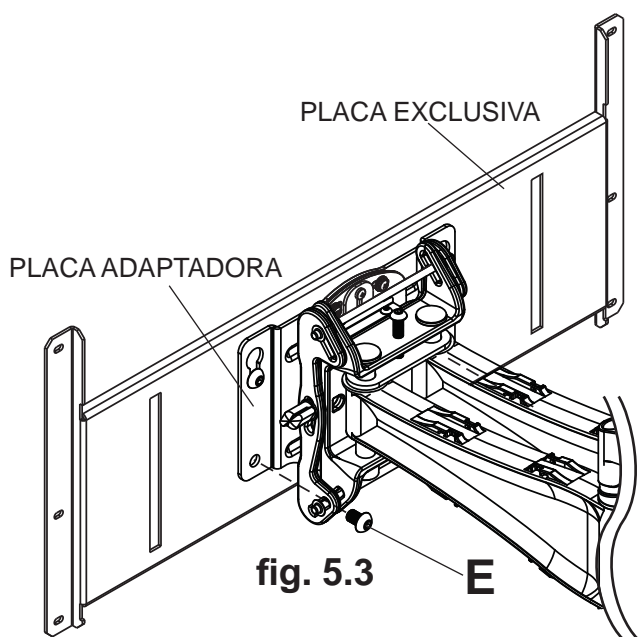


Instalación del soporte adaptador universal:

Enganche los tornillos de M10 x 15mm en las ranuras de la placa adaptadora (A), como se muestra en la figura 5.2.



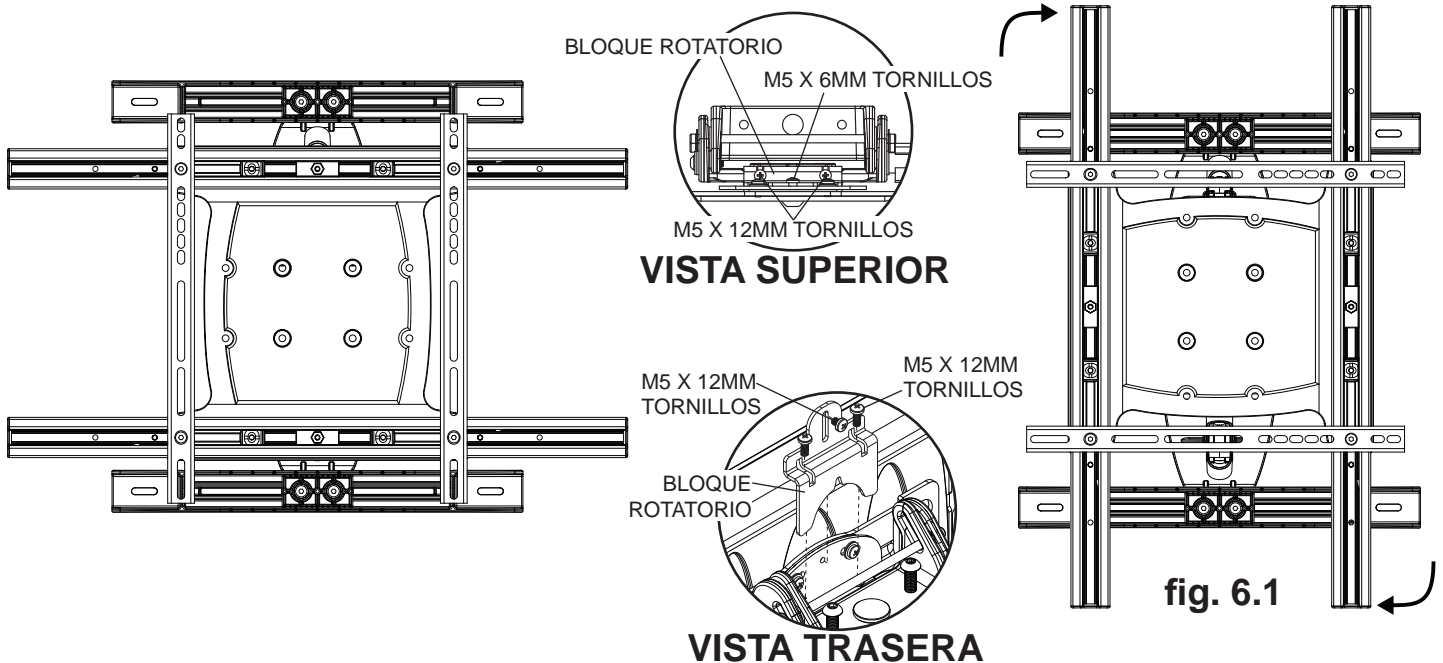
- 5-1** Inserte dos tornillos de M10 x 15mm (E) en los agujeros inferiores de la placa adaptadora, como se muestra en la figura 5.3 y 5.4. Apriete todos los sujetadores usando una llave allen de 6mm (H).



⚠ ADVERTENCIA

- Trabrar la placa de pared montaje (A) con los tornillos M10 x 15mm (E) antes de cambiar la orientación. Puede causar que la pantalla se desprenda de la unidad de soporte si le dan un golpe accidentalmente.

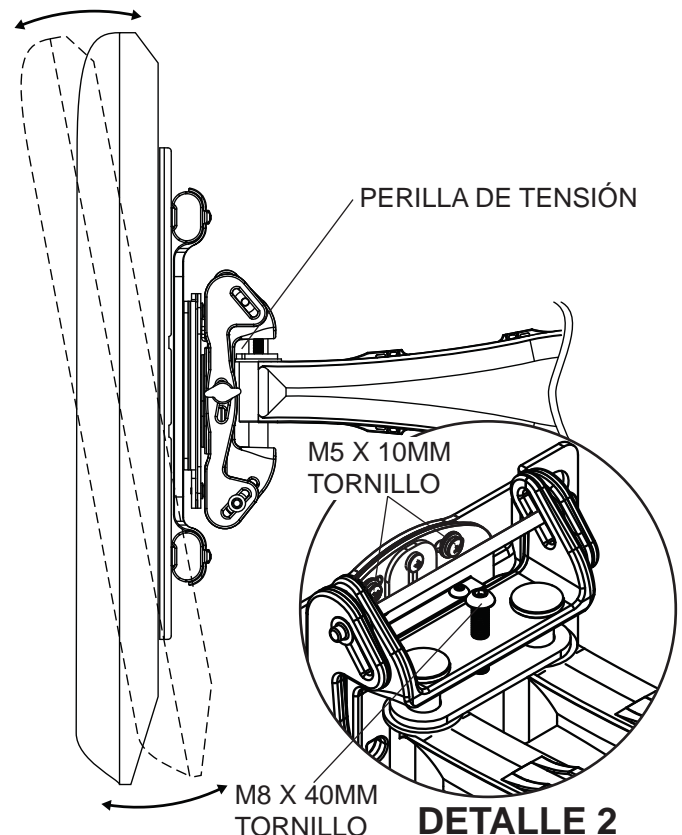
- 6 PARA COLOCAR LA PANTALLA VERTICAL U HORIZONTALMENTE:** Quite los dos tornillos de M5 x 12mm, una tornillos de M5 x 6mm y el bloque rotatorio de la parte superior del cabezal inclinable, como se muestra en la vista superior y en la vista trasera. Sujete, suavemente, los lados de la pantalla y gire la pantalla hasta una posición vertical u horizontal, como se muestra en la figura 6.1, y reinstale el bloque rotatorio con los dos tornillos de M5 x 12mm y una tornillos de M5 x 6mm. **NOTA:** tornillo M5 x 6mm requerido en orientación horizontal solamente.



- 7 Ajuste de la INCLINACIÓN:** Ajuste la perilla de tensión que se encuentra en el lado del soporte al grado de tensión deseado para poder ajustar la inclinación y balancear el tamaño y el peso de la pantalla. Mueva la parte superior o la parte inferior de la pantalla tirando de la misma o empujándola para ajustar la inclinación, como se muestra. La inclinación se puede ajustar hasta un máximo de 10° hacia delante o de 5° hacia atrás. Vuelva a apretar la perilla de tensión. **NOTA:** Para pantallas más grandes, tornillo de tensión en el lado opuesto de montaje puede ser necesario apretarse con 5/32" llave allen (L).

Ajuste de la ROTACIÓN: Rote la pantalla, 5° en el sentido de las manecillas del reloj o en el sentido contrario, nivele la pantalla y luego apriete los tornillos de M5 x 10mm utilizando una llave allen de 5mm (I), como se muestra en el detalle 2.

AJUSTE VERTICAL DE LA ALTURA: Apriete o afloje los tornillo de M8 x 40mm hasta llegar a $\pm 1"$ de ajuste vertical de la altura, como se muestra en el detalle 2.



PRECAUCIÓN

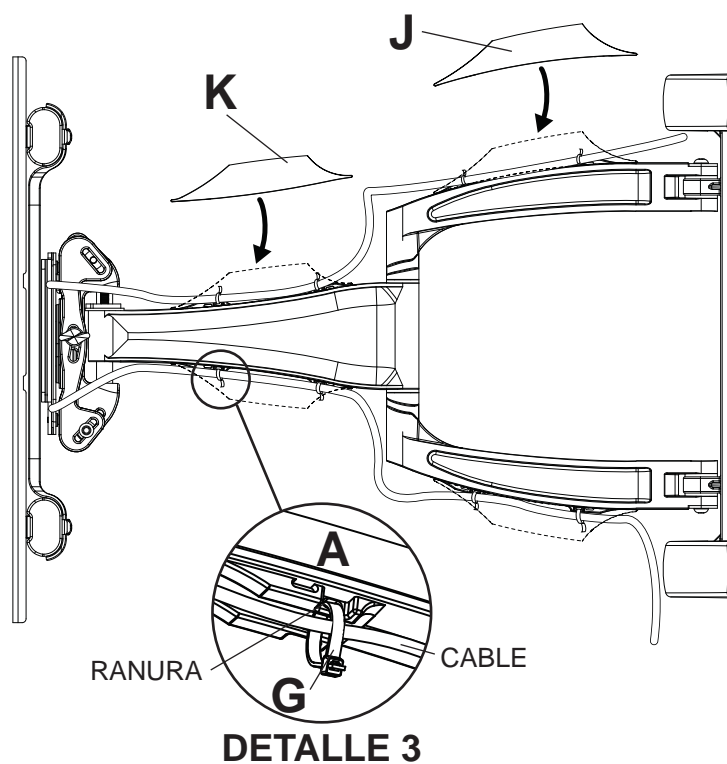
- No apriete los tornillos con fuerza excesiva.
- Tenga cuidado de no pincharse los dedos cuando extienda y recoja el soporte contra la pared.

Manejo de cables

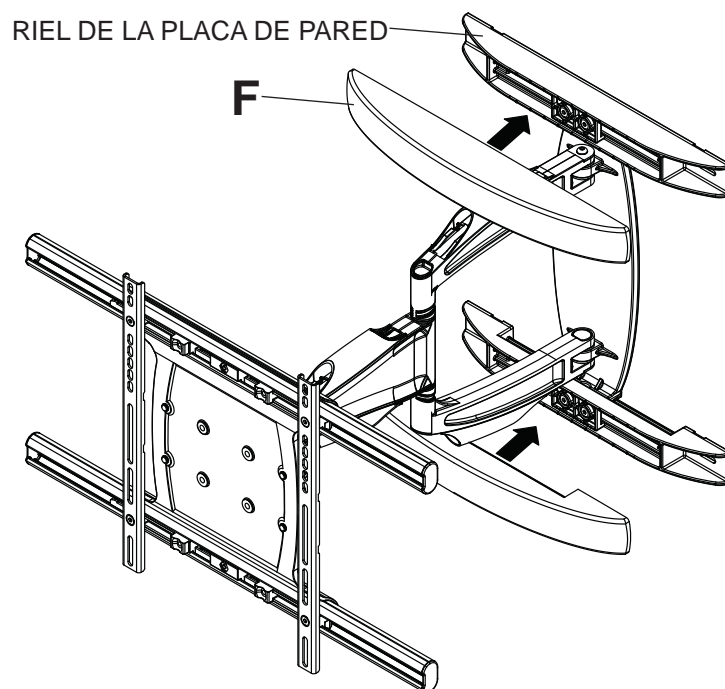
8 **NOTA:** Asegúrese de que los cordones no queden muy cortos para que el brazo se pueda mover completamente.

Pase el cordón de la electricidad por la parte superior o la parte inferior del brazo (**A**) y el cable o los cables de la señal por el otro lado del brazo para evitar que haya interferencia con la señal. Asegure los cordones en su lugar colocando las cubiertas de los cables (**J y K**), a presión, sobre el soporte, como se muestra. Es posible que necesite mover la pantalla para tener acceso.

OPCIONAL: Si necesita acomodar más cables, acomode los sujetacables (**G**) por las ranuras del brazo (**A**), como se muestra en el detalle 3.



9 Coloque las cubiertas de la placa de pared (**F**) sobre el extremo superior y el extremo inferior de los rieles de la placa de pared, como se muestra.



Ajuste Tensor del Brazo

⚠ ADVERTENCIA

- No retire el tornillo ni lo afloje hasta que se haya desenganchado del soporte. Se podría caer la pantalla.
- Si los tornillos se aflojan con el tiempo, apriételos según sea necesario. Apriete los tornillos a un máximo de 50 pulg-lb (5.6 N•m) de par torsor.

10

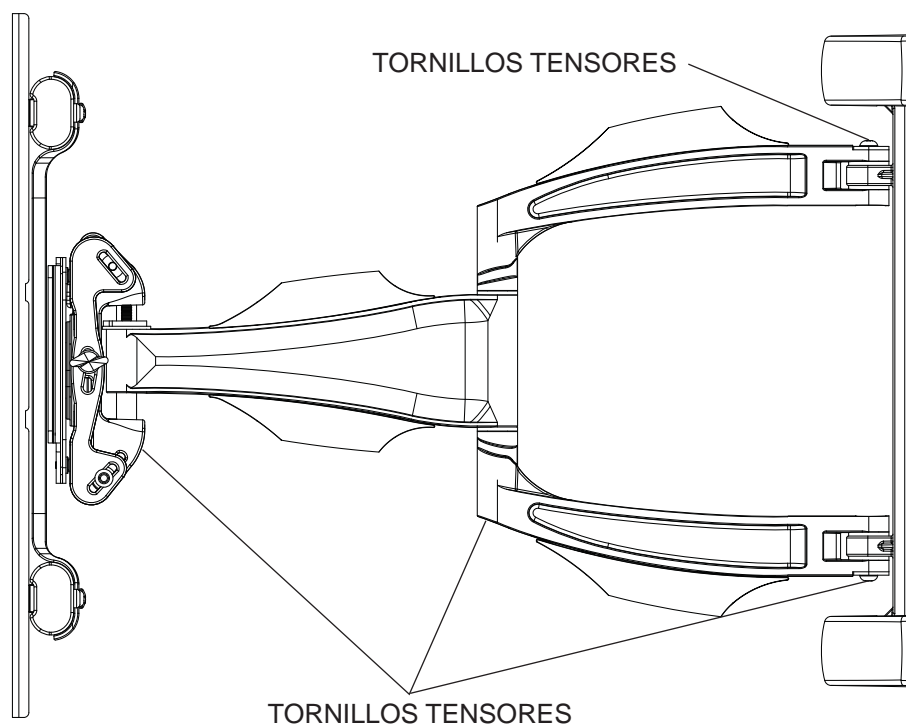
Si desea aumentar o disminuir la tensión en los puntos de articulación del brazo, haga lo siguiente:

- Para aumentarla, gire el tornillo de cabeza hueca en sentido horario con la llave allen de 5mm (I).

NOTA: Apriete los tornillos a un máximo de 50 pulg-lb (5.6 N•m) de par torsor.

- Para reducirla, gire el tornillo de cabeza hueca en sentido contrahorario con la llave allen de 5mm (I).

NOTA: No lo gire más de media vuelta.

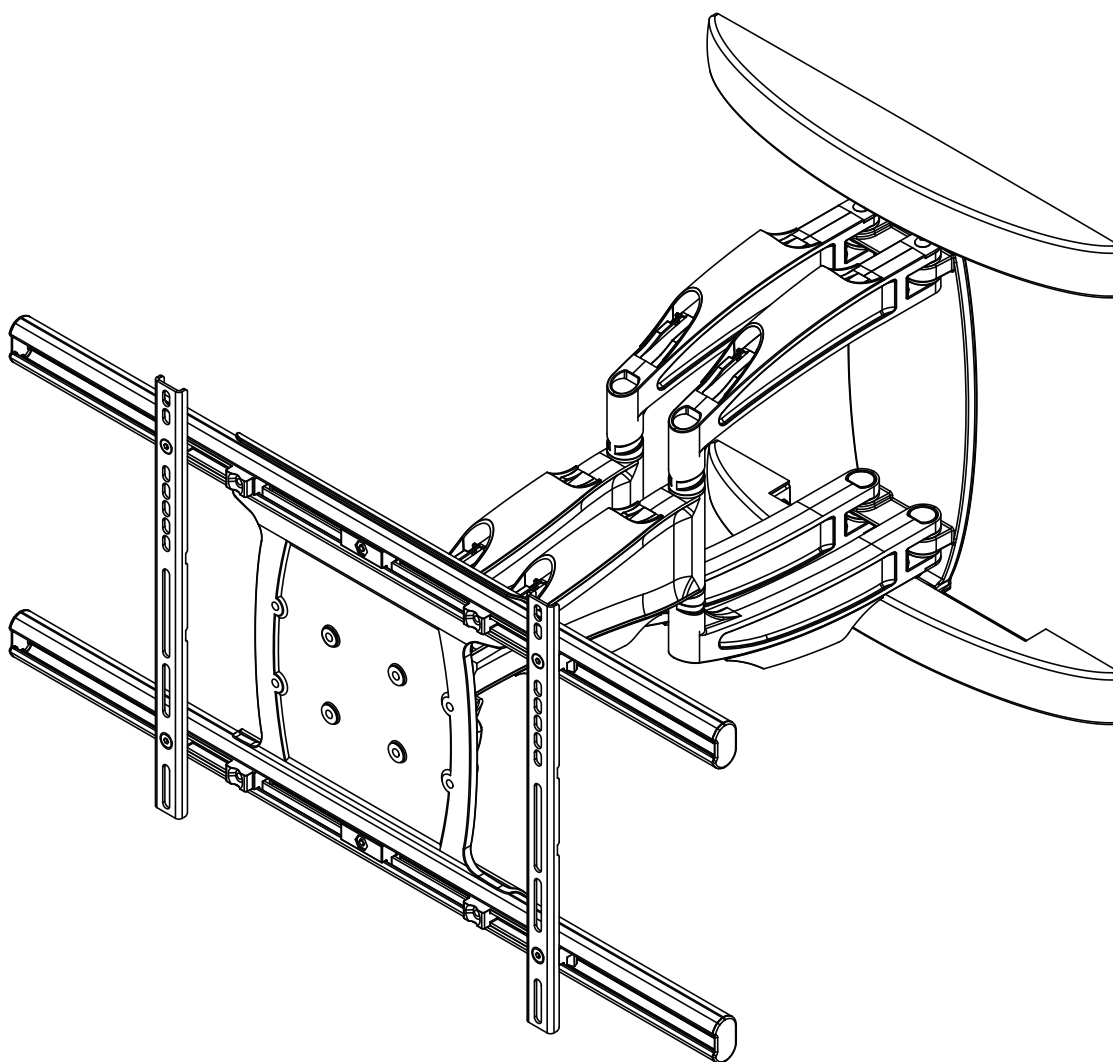




Installation et montage :

Support articulé résistant à la corrosion pour écrans plats intérieurs ou extérieurs de 37 à 63 po

Modèles: ESA763PU



Capacité de Charge Maximale: 200 lb (90.7 kg)

REMARQUE: lisez entièrement la fiche d'instructions avant de commencer l'installation et l'assemblage.

⚠ AVERTISSEMENT

- Ne commencez pas à installer votre produit Peerless avant d'avoir lu et assimilé les instructions et les avertissements contenus dans cette fiche d'installation. Pour toute question concernant les instructions ou les avertissements, veuillez appeler le service à la clientèle de Peerless au 1-800-865-2112; tous les clients internationaux sont priés de contacter leur distributeur local.
- Ce produit doit être installé uniquement par quelqu'un possédant une bonne aptitude à la mécanique, une expérience de la construction immobilière et ayant bien compris ces instructions.
- En raison des conditions de température extérieure telles que neige abondante, grêle, pluie, etc., le support et les pièces de fixation à l'épreuve des intempéries doivent être inspectés au moins une fois par année. Ce produit ne doit pas être exposé à des vents forts. Un installateur ou un inspecteur qualifié doit vérifier les signes de rouille, de fixations desserrées, de métal tordu, etc. Si l'inspection révèle une usure excessive, une détérioration ou un danger quelconque, ce produit doit être mis hors service immédiatement. Pour toute question, veuillez vous adresser au service à la clientèle.
- Assurez-vous que la surface de support puisse soutenir sans danger la charge totale de l'équipement ainsi que des pièces et composants qui y sont attachés.
- Ne dépassez jamais la capacité de charge maximum établie par l'UL. Reportez-vous à la page 33.
- Lors d'une installation sur un mur à montants en bois, assurez-vous que les vis de montage sont ancrées au centre des montants. L'utilisation d'un localisateur de montants « bord à bord » est fortement recommandée.
- Pour lever et positionner l'équipement en toute sécurité, faites-vous toujours aider par une autre personne ou utilisez un dispositif de levage mécanique.
- Serrez fermement les vis, mais sans excès. Un serrage excessif peut endommager les composants et en réduire considérablement la capacité de support.
- Ce produit a été conçu uniquement pour une installation sur les types de murs ci-dessous :

TYPE DE MUR

PIÈCES DE FIXATION REQUISES

- | | |
|-----------------------------------|--|
| • Montant en bois | Incluses |
| • Poutre en bois | Incluses |
| • Béton plein | Incluses |
| • Bloc de béton de mâchefer | Incluses |
| • Montant métallique | Ne pas installer sur ce type de mur sauf à l'aide de l'ensemble d'accessoires Peerless pour montants métalliques (non évalué UL) |
| • Brique | Contactez un professionnel qualifié (non évalué UL) |
| • Autre, ou vous n'êtes pas sûr ? | Contactez un professionnel qualifié |

Outils nécessaires au montage

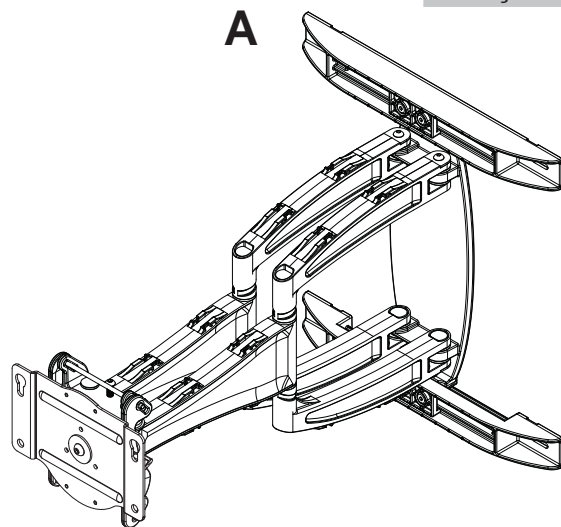
- localisateur de montants (un localisateur de montants « bord à bord » est recommandé)
- tournevis phillips
- perceuse
- foret de 3/16 po (5 mm) pour les murs à montants en bois, foret de 13/32 po (10 mm) pour les murs à block de béton
- niveau

Table des Matières

Liste des Pièces	35, 36
D'Installation au Mur	38, 39
D'Installation du Support Adaptateur Universel	40-44
Installation de l'écran plat	45
Gestion des câbles	48

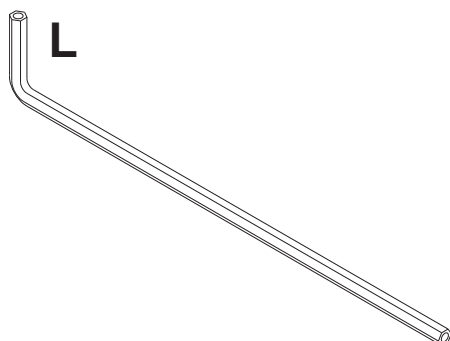
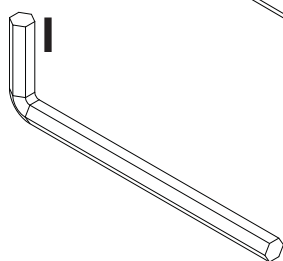
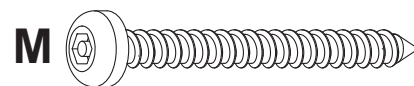
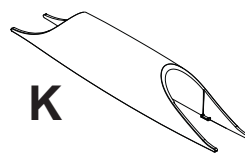
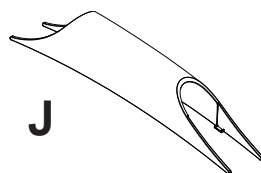
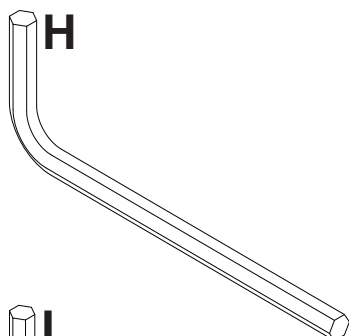
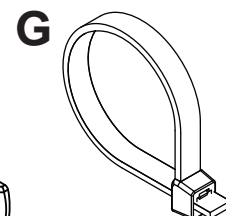
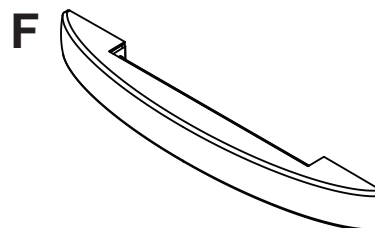
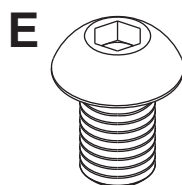
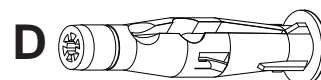
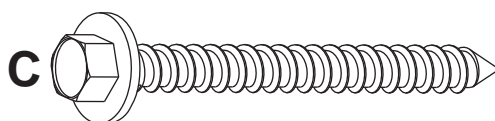
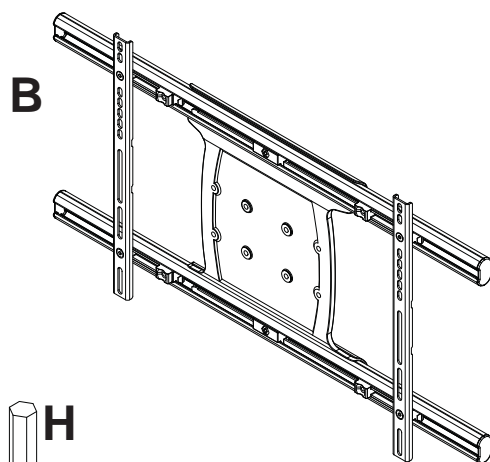
Avant de commencer, s'assurer que toutes les pièces indiquées sont incluses avec le produit.

A

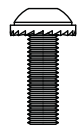


Liste des pièces		ESA763PU	
Description	Qté	Pièce n°	
A bras mural	1	095-T1994	
B adaptateurs universels	1	095-T1635-2	
C 3 po vis à bois	3	520-D1243	
D 10mm concreto d'ancrage	4	590-0321	
E vis M10 x 15mm	2	520-D1262	
F couvercles de plaque murale	2	590-1325	
G attaches de câble	16	590-1168	
H hexagonale de 6mm	1	560-9716	
I hexagonale de 5mm	1	560-9640	
J Gaine de câble arrière	4	590-P1326	
K Gaine de câble avant	4	590-P1327	
L hexagonale de 5/32 po	1	560-9646	
M 2.5 po viz de sécurité à bois	1	520-D1668	

Les pièces semblent légèrement différentes de celles illustrées.



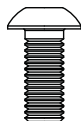
Fixations du support adaptateur



M4 x 12 mm (6)
(510-D1079)



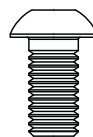
M4 x 25 mm (4)
(510-D1082)



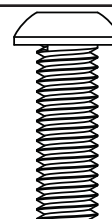
M5 x 12 mm (4)
(520-D1064)



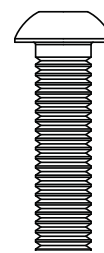
M5 x 25 mm (4)
(520-D1122)



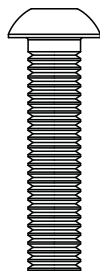
M6 x 12 mm (4)
(520-D1050)



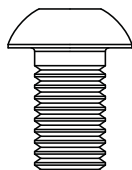
M6 x 20 mm (4)
(520-D1554)



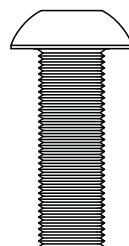
M6 x 25 mm (4)
(520-D1211)



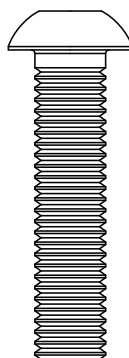
M6 x 30 mm (4)
(520-D1067)



M8 x 12 mm (6)
(520-D1068)



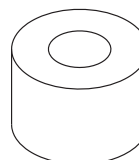
M8 x 25 mm (4)
(520-D1101)



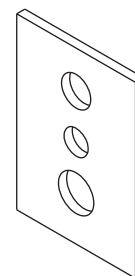
M8 x 40 mm (4)
(520-D1152)



I.D. .22" (4)
(540-1057)



I.D. .34" (4)
(540-1059)



rondelle universelle (6)
(580-1036)

Réglage horizontal facultatif du bras mural sur la plaque murale

1 **REMARQUE :** Pour l'installation d'un bras mural (A) sur des murs à montants en bois, les fentes de la plaque murale doivent être alignées sur les montants.

Déterminez l'endroit souhaité pour le centre de l'écran comme indiqué dans l'étape 2.

Mesurez la distance entre le centre du bras mural (A) et l'endroit souhaité pour le centre de l'écran. Desserrez quatre vis 1/4-20 x 17mm à l'aide d'une clé hexagonale de 5mm (I). Faites glisser le support mural de 4-1/2 po vers la gauche ou vers la droite, comme illustré à la figure 1.1. **REMARQUE :** Alignez les biseaux (points) de la plaque coulissante sur les biseaux (points) de la plaque murale comme illustré dans le dessin de détail 1, puis resserrez les vis 1/4-20 x 17mm.

Ne réglez pas le bras lorsque l'écran y est fixé.

Passez à la page 38 pour l'installation sur un montant en bois.

Passez à la page 39 pour l'installation sur du béton et du bloc de béton.

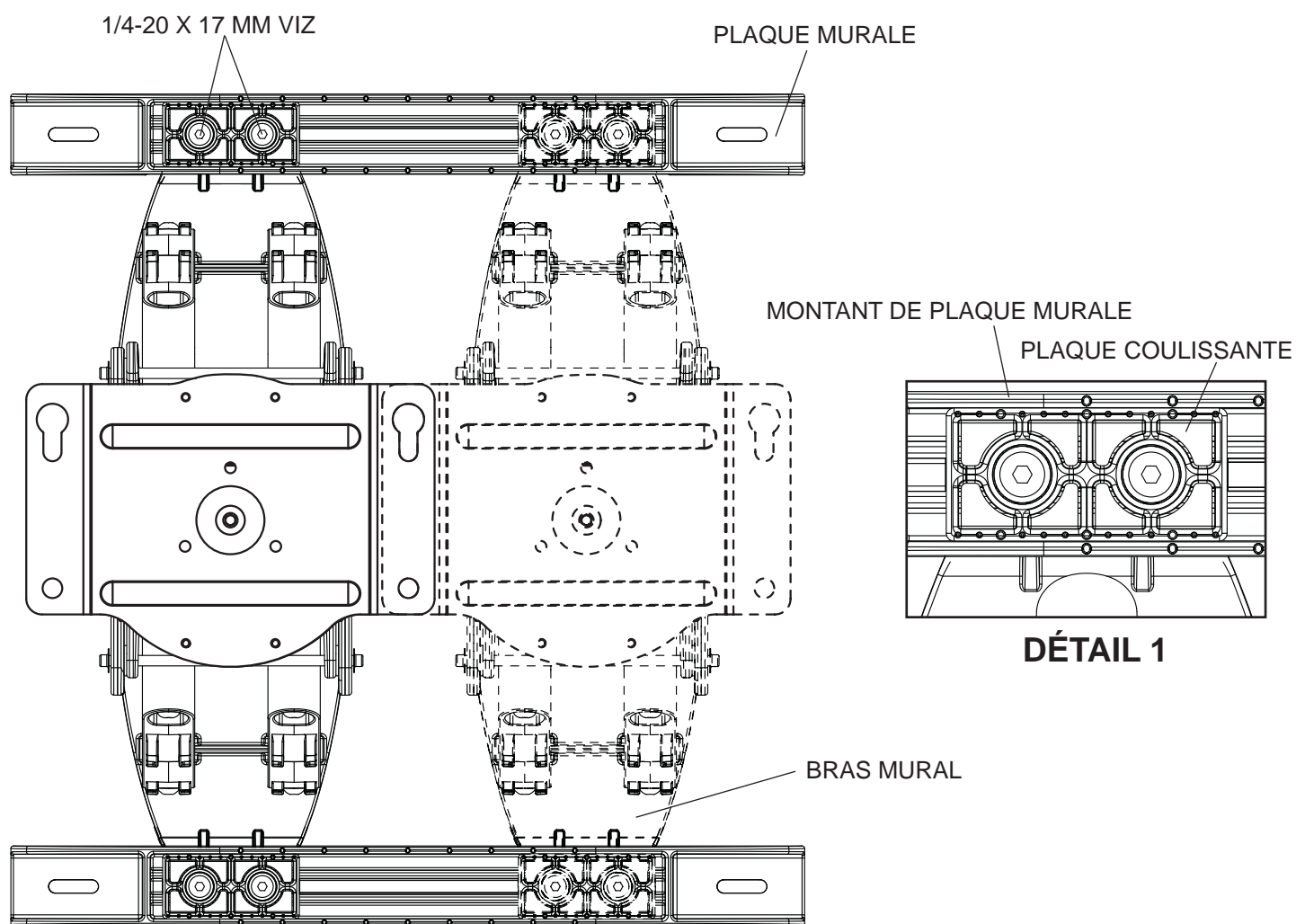


fig. 1.1

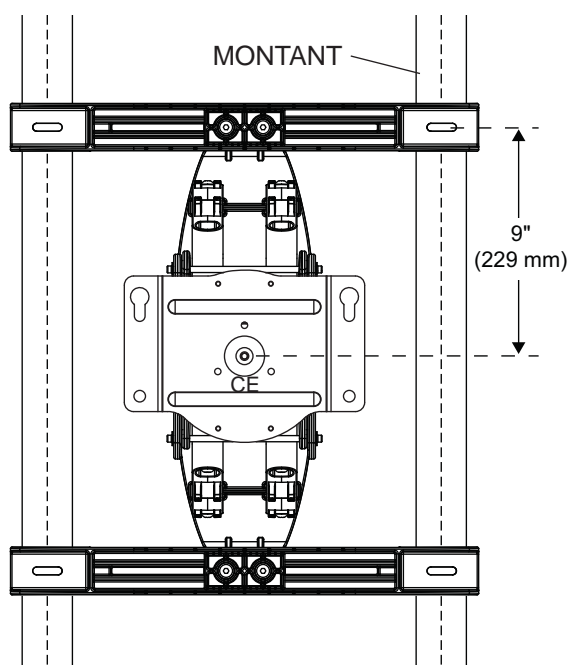
Installation sur un mur à montant en bois

▲ AVERTISSEMENT

- L'installateur doit s'assurer que la surface de support pourra soutenir sans danger la charge combinée de l'équipement, de toute sa visserie et de tous ses composants.
- Serrez les vis à bois de manière que la plaque murale soit fermement fixée, mais sans excès. Un serrage excessif peut endommager les vis et en réduire considérablement le pouvoir de maintien.
- Ne serrez jamais à plus de 9 Nm (80 po-lb).
- Assurez-vous que les vis de montage sont ancrées au centre des montants. L'usage d'un localisateur de montants « bord à bord » est fortement conseillé.
- La visserie est fournie pour fixer la monture à travers une cloison sèche ou du plâtre d'épaisseur standard et dans des montants en bois. Il appartient aux installateurs de fournir la visserie nécessaire pour d'autres types de situations (non évalué UL).

2 À l'aide d'un localisateur de montants, repérez et marquez les bords des montants en bois. L'utilisation d'un localisateur de montants « bord à bord » est fortement recommandée. À l'aide d'un niveau, tracez une ligne verticale le long du centre de chaque montant. Mettez le gabarit de la modèle de plaque murale (bras mural) à niveau sur le mur et marquez le centre des quatre trous de fixation au centre de chaque montant en bois. Les trous de fixation supérieurs doivent être situés à une distance 9 po (229mm) au-dessus de l'endroit souhaité pour le centre de l'écran comme illustré à la figure 2.1. Percez quatre trous de 3/16 po (5mm) de dia. à une profondeur de 3 po (76mm). Fixez le bras mural (**A**) au mur à l'aide de trois vis à bois (**C**) et d'une vis à bois de sécurité (**M**) comme illustré à la figure 2.2.

Mettez la plaque murale à niveau, puis serrez toutes les fixations.



CE = LE CENTRE DE L'ÉCRAN

fig. 2.1

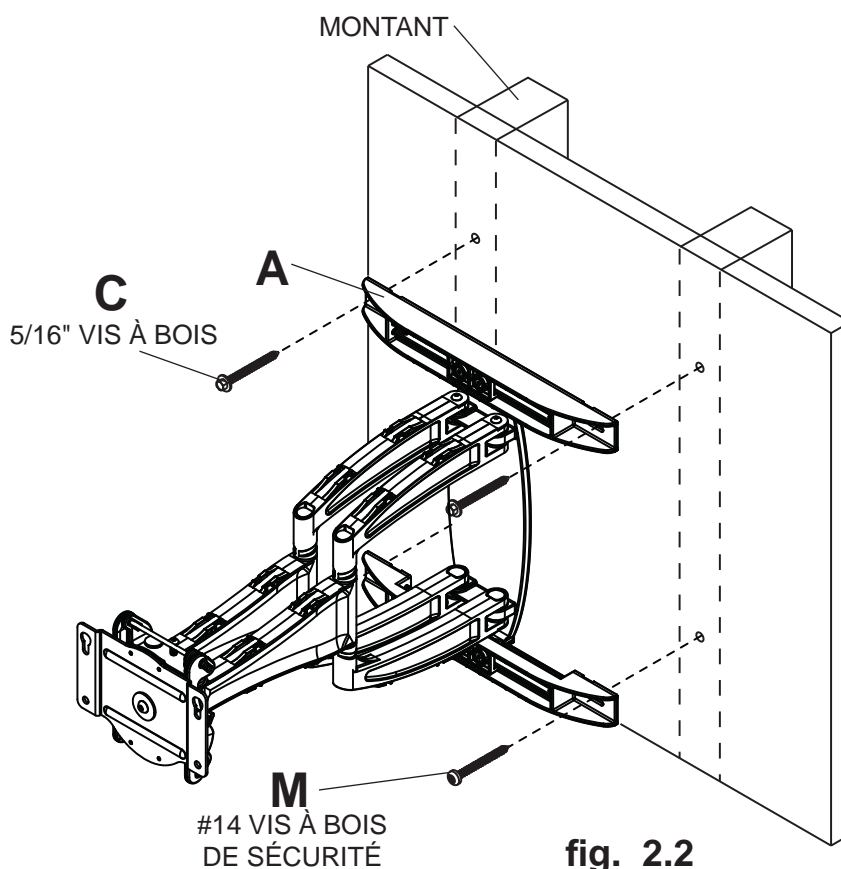


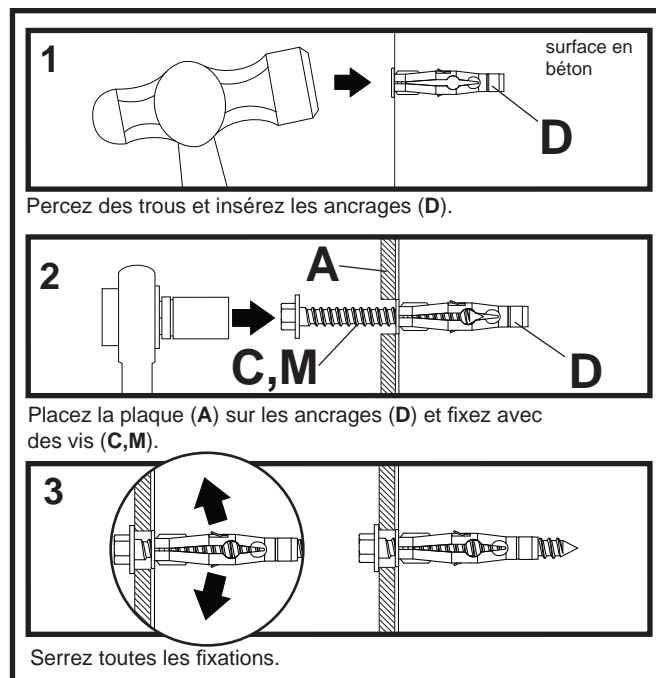
fig. 2.2

Installation sur du béton plein ou un bloc de béton de mâchefer

▲ AVERTISSEMENT

- Si vous installez des montures murales Peerless sur un bloc de béton de mâchefer, vérifiez que vous disposez d'une épaisseur de béton d'au moins 35mm (1 3/8 po) dans le trou destiné aux ancrages de béton. Ne percez pas dans les joints de mortier ! Veillez à effectuer le montage dans une partie pleine du bloc, généralement à au moins 25mm (1 po) du côté du bloc. Le bloc de béton de mâchefer doit être conforme aux spécifications de l'ASTM C-90. Pour percer le trou, il est conseillé d'utiliser une perceuse électrique standard sur un réglage bas au lieu d'un marteau perforateur, afin d'éviter de briser la partie arrière du trou lorsque vous pénétrez un vide ou une cavité.
- Le béton doit avoir une densité minimum de 2 000 psi. Un béton de densité moindre risquerait de ne pas retenir un ancrage de béton.
- Assurez-vous que la surface de support pourra soutenir sans danger la charge combinée de l'équipement, de toute sa visserie et de tous ses composants.

2 Utilisez la modèle de plaque murale (bras mural) pour marquer les trous de fixation. Les trous de fixation supérieurs doivent être situés à une distance 9 po (229mm) au-dessus de l'endroit souhaité pour le centre de l'écran comme illustré à la figure 2.1 en page 38. Percez quatre trous de 13/32 po (10mm) de dia. à une profondeur de 3 po (76mm) comme illustré à la figure 2.3. Insérez les chevilles d'ancrage (D) dans les trous au ras du mur comme illustré (à droite). Fixez le bras mural (A) sur les chevilles d'ancrage et fixez-le à l'aide de trois vis à bois (C) et d'une vis à bois de sécurité (M). Assurez-vous qu'il est de niveau, puis serrez toutes les fixations.



▲ AVERTISSEMENT

- Serrez les vis de manière que la plaque murale soit fermement fixée, mais sans excès. Un serrage excessif peut endommager les vis et en réduire considérablement le pouvoir de maintien.
- Ne serrez jamais à plus de 9 Nm (80 po-lb).
- Fixez toujours des ancrages de béton directement sur du béton porteur.
- Ne fixez jamais d'ancrages sur du béton recouvert de plâtre, une cloison sèche ou autre matériau de finition. Si vous ne pouvez pas éviter d'effectuer le montage sur du béton recouvert d'une surface de finition, celle-ci doit être chambrée (non évalué UL), comme indiqué cidessous. Assurez-vous que les ancrages de béton ne se séparent pas du béton lorsque vous serrez les vis. Si l'épaisseur du plâtre / de la cloison sèche dépasse 16mm (5/8 po), des fixations adaptées devront être fournies par l'installateur (non évalué UL).

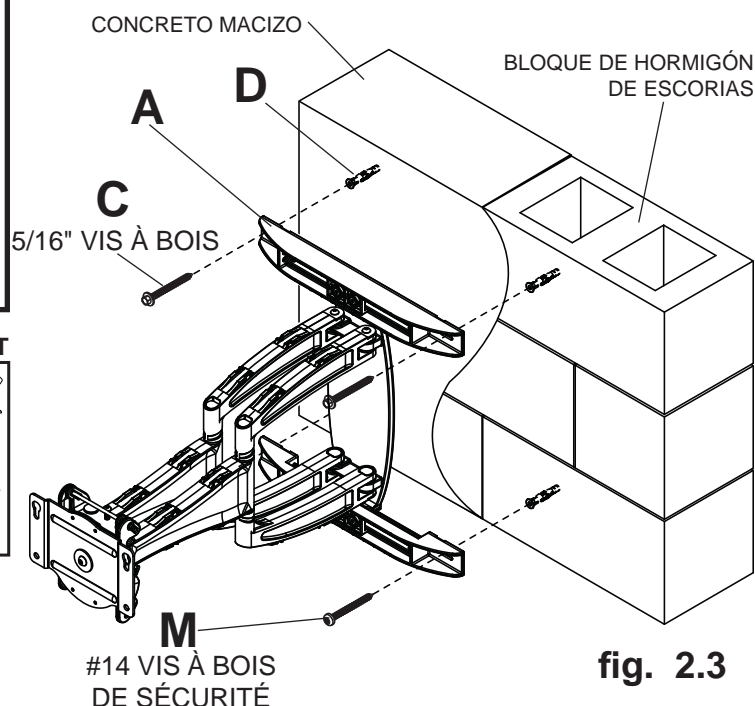
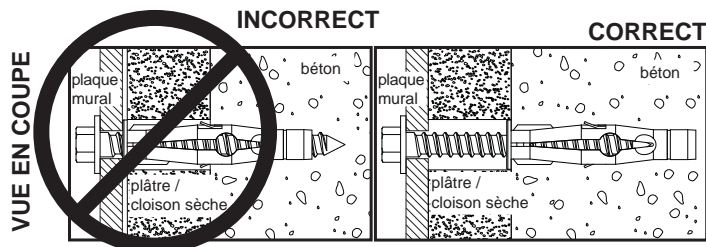


fig. 2.3

Installation des Supports Adaptateurs à l'écran

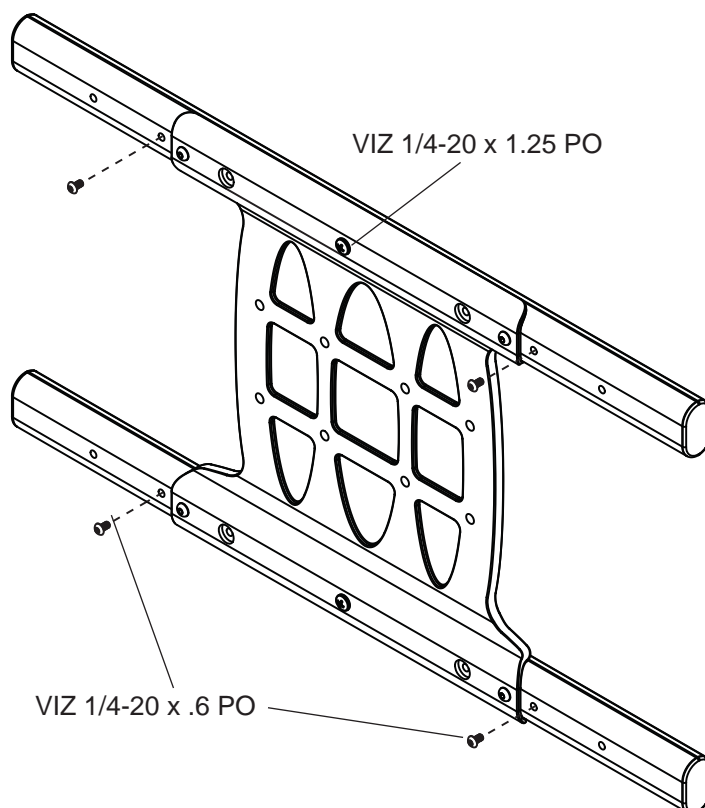
REMARQUE : Si l'écran possède une configuration de trous de montage horizontaux VESA 400, passez à l'étape 3-3 ou 3-4 en page 42.

REMARQUE : Si l'écran possède une configuration de trous de montage horizontaux VESA 200x200 ou VESA 200x100, passez à l'étape 4 en page 43.

REMARQUE : Pour l'installation de la plaque dédiée PLP, passez à l'étape 5 en page 45.

3

Retirez quatre vis 1/4-20 x 0,6 po à l'aide d'une clé hexagonale de 5 mm (I) et desserrez deux vis 1/4-20 x 1,25 po d'un demi-tour pour permettre le réglage du support de l'écran.

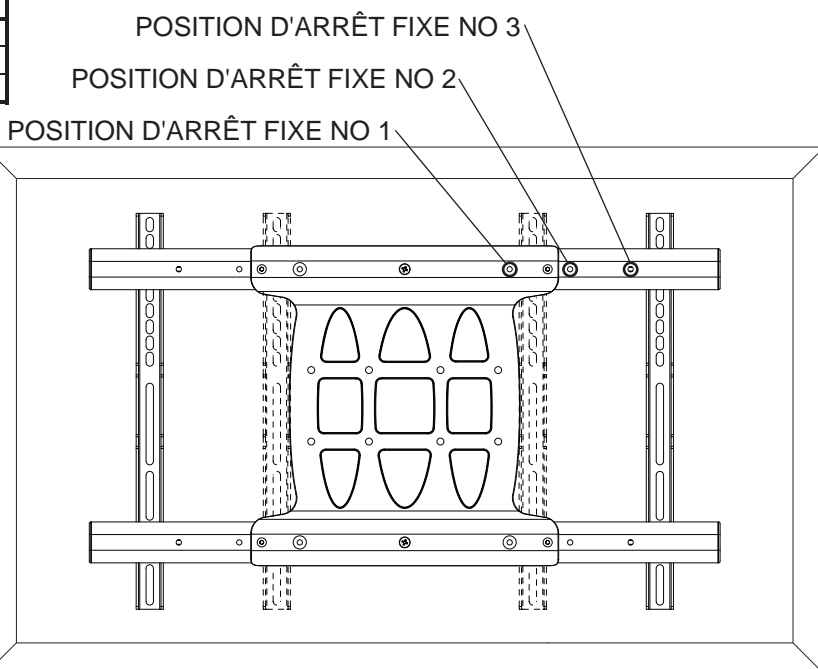


3-1

Afin d'éviter de rayer l'écran, posez un morceau de tissu sur une surface plane et de niveau qui peut supporter le poids de l'écran. Déposez l'écran à plat, tourné vers le bas. Consultez les instructions du fabricant de l'écran avant d'enlever tout bouton, base, couvercle ou vis situés à l'arrière de l'écran en préparation à l'installation des supports d'écran à l'écran. Réglez les supports de l'écran de manière à les aligner sur les trous de fixation comme illustré ci-dessous.

Mesurez la configuration des trous de montage horizontaux et choisissez une position d'arrêt fixe dans le tableau ci-dessous.

horizontal mounting hole pattern	fixed stop-position
10-3/4" - 16-1/16" (273 - 408 mm)	#1
15-1/16" - 21-9/16" (383 - 548 mm)	#2
20-7/16" - 27-9/16" (519 - 700 mm)	#3



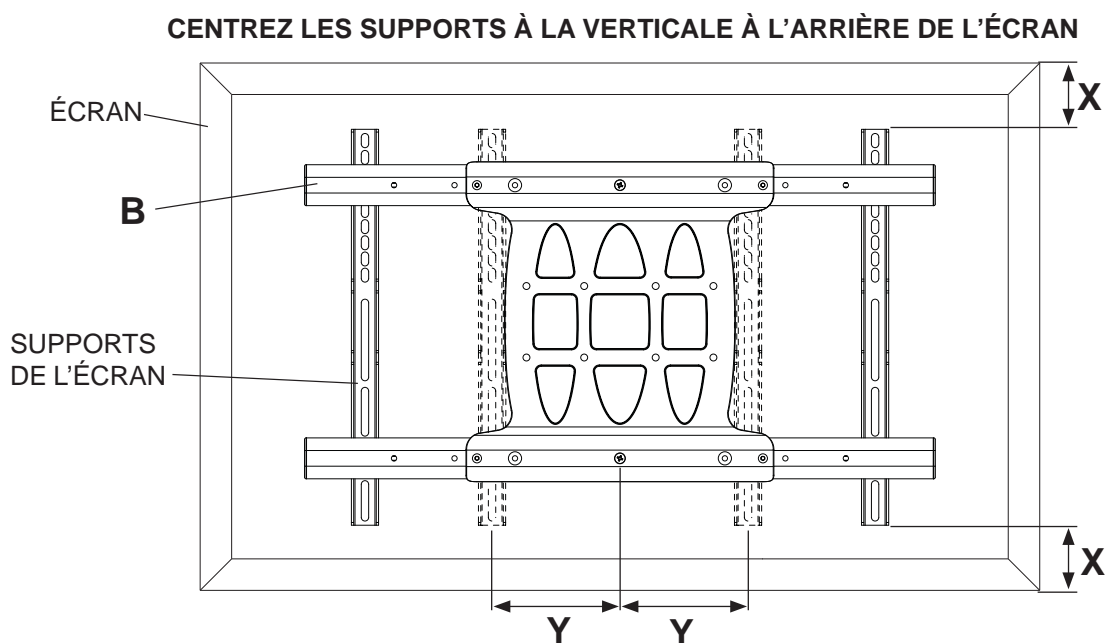
Installation des Supports Adaptateurs à l'écran

⚠ AVERTISSEMENT

- N'employez pas une force excessive pour serrer les vis. Un serrage excessif peut endommager le support. Serrez les vis à un couple maximum de 4,5 Nm (40 po-lb).
- Si les vis ne sont pas enfoncées de trois tours complets dans les inserts ou si elles sont serrées au maximum sans parvenir à fixer solidement la plaque adaptatrice, l'écran peut être abîmé ou le produit détérioré.

3-2 Choisissez des vis petites, moyennes, grosses ou extra grosses dans le jeu de fixation à compartiments, puis fixez les supports de l'écran à l'écran en suivant les étapes 3-3 ou 3-4 en page 42.

REMARQUE : On doit toujours utiliser les trous de fixation supérieurs et inférieurs pour fixer les supports de l'écran. Les trous du milieu devraient également être utilisés lorsque les fixations et l'écran le permettent. Veillez à ce que tous les trous soient bien alignés, puis serrez les vis à l'aide d'un tournevis Phillips.



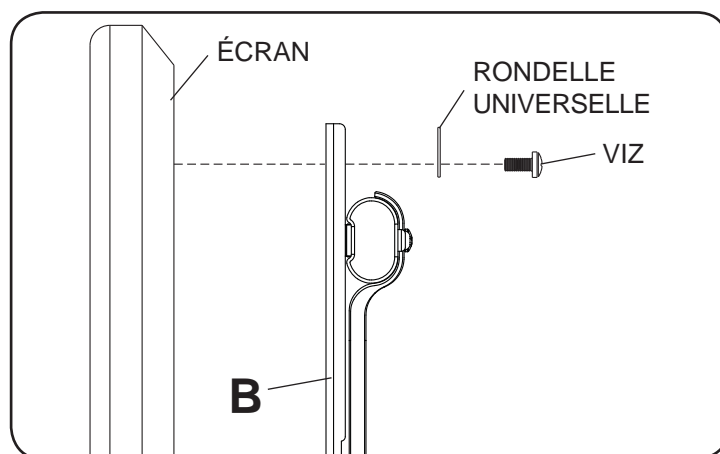
REMARQUE : Les dimensions « X » doivent être égales.
Les dimensions « Y » doivent être égales.

Pour les écrans à dos plat

3-3 Commencez par la vis la plus courte et vissez-la manuellement à l'écran en la faisant passer à travers la rondelle tout-usage et les supports de l'écran (**B**), comme indiqué ci-dessous. La vis doit effectuer au moins trois tours complets dans le trou de fixation et tenir solidement en place. Ne pas trop serrer. S'il est impossible d'effectuer trois tours de vis complets, choisissez une vis plus longue dans le jeu de fixations à compartiments. Répétez pour le reste des trous de fixation, mettez les supports de l'écran à niveau et resserrez les vis.

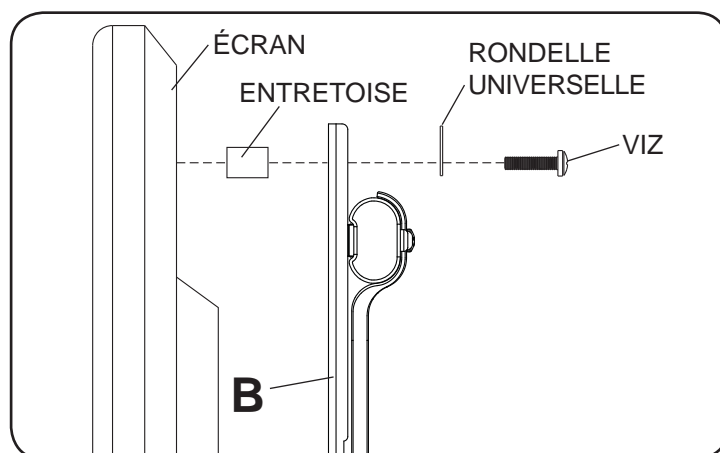
REMARQUE : Il n'est pas toujours nécessaire d'utiliser des entretoises, selon le type d'écran.

Passez à l'étape 3-5.

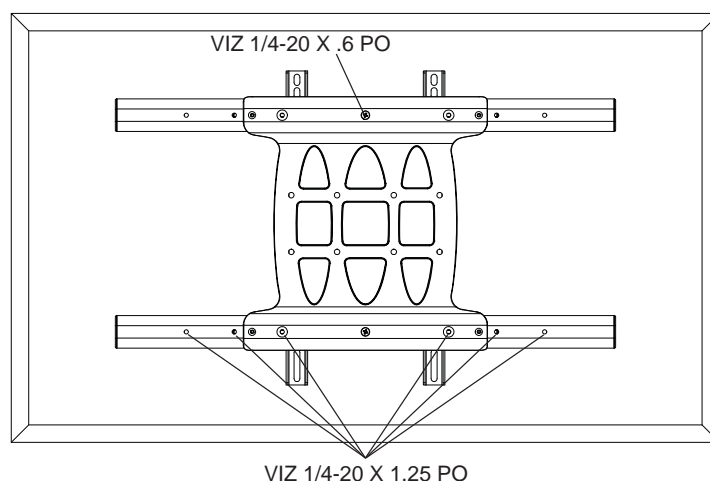


Pour les écrans à dos convexe ou concave

3-4 Commencez par la vis la plus longue et vissez-la manuellement à l'écran en la faisant passer à travers la rondelle tout-usage, les supports de l'écran (**B**) et l'entretoise comme indiqué ci-dessous. La vis doit effectuer au moins trois tours complets dans le trou de fixation et tenir solidement en place. Ne pas trop serrer. S'il est impossible d'effectuer trois tours de vis complets, choisissez une vis plus longue dans le jeu de fixations à compartiments. Répétez pour le reste des trous de fixation, mettez les supports de l'écran à niveau et resserrez les vis.

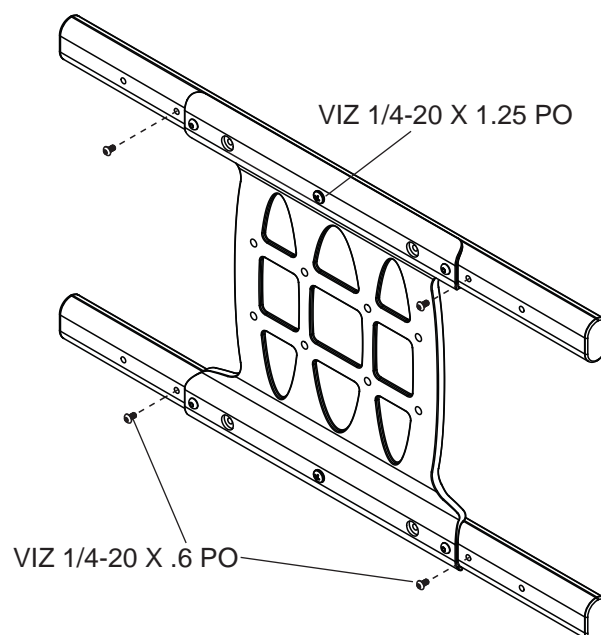


3-5 Centrez les supports d'écran à l'horizontale et à la verticale à l'arrière de l'écran. Serrez deux vis de 1/4-20 X 1,25 po. Réinstallez quatre vis 1/4-20 x 0,6 po à l'aide d'une clé hexagonale de 5 mm (**I**) dans la position d'arrêt appropriée comme illustré dans le tableau de la page 40.



VESA 200 x 200 ou VESA 200 x 100 Modèle de montage

- 4 Retirez quatre vis 1/4-20 x 0,6 po à l'aide d'une clé hexagonale de 5mm (I) et desserrez deux vis 1/4-20 x 1,25 po d'un demi-tour pour permettre le réglage du support de l'écran.



- 4-1 À l'aide d'une clé hexagonale de 5mm (I), retirez les quatre vis autotaraudeuse 1/4-20 pour détacher les supports d'écran du support adaptateur universel (B) comme illustré à la figure 4.1. Réinstallez les quatre vis autotaraudeuse 1/4-20 pour fixer les supports d'écran aux trous de fixation intérieurs du support adaptateur universel (B) comme illustré à la figure 4.2.

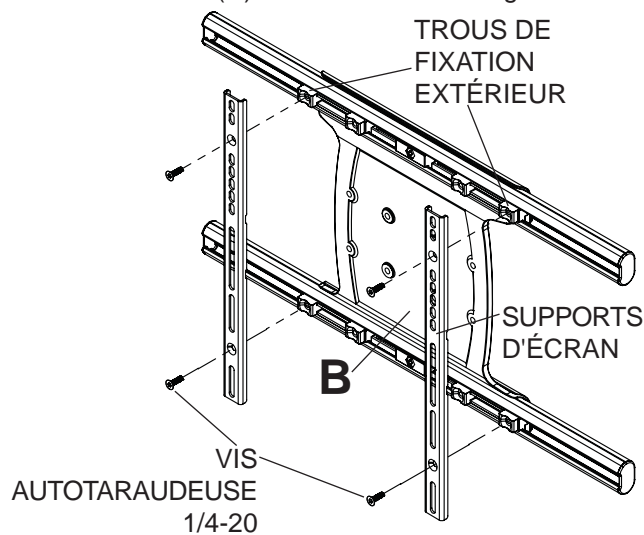


fig. 4.1

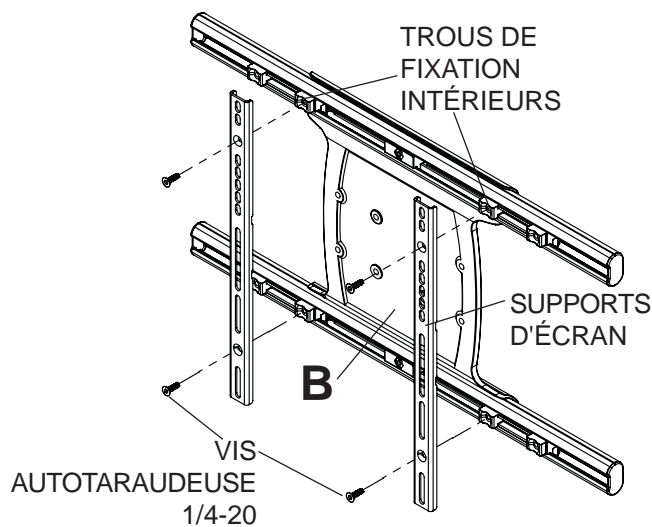
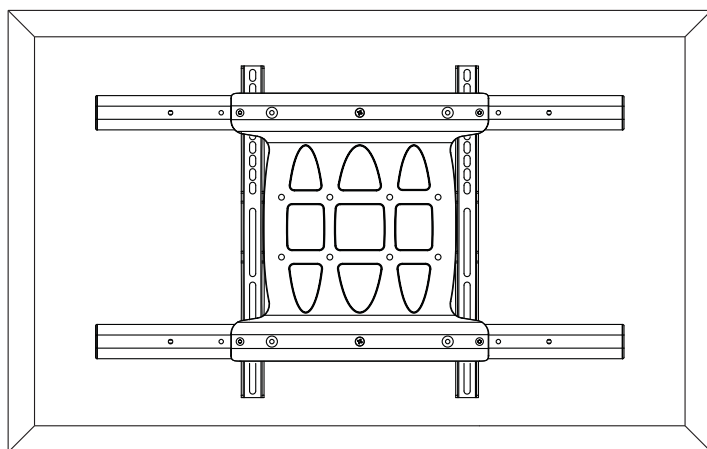


fig. 4.2

Afin d'éviter de rayer l'écran, posez un morceau de tissu sur une surface plane et de niveau qui peut supporter le poids de l'écran. Déposez l'écran à plat, tourné vers le bas et assemblez le support adaptateur universel (B) sur l'écran.

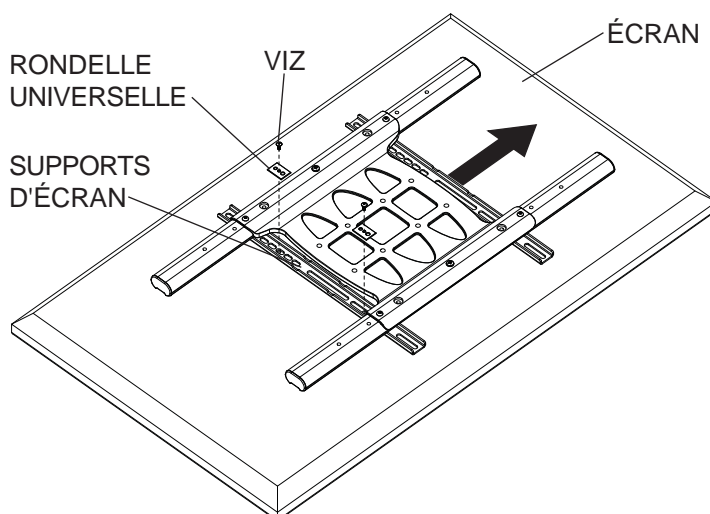


VESA 200 x 200 ou VESA 200 x 100 Modèle de montage (suite)

4-2 Alignez un support d'écran avec un ensemble de trous de fixation de l'écran.

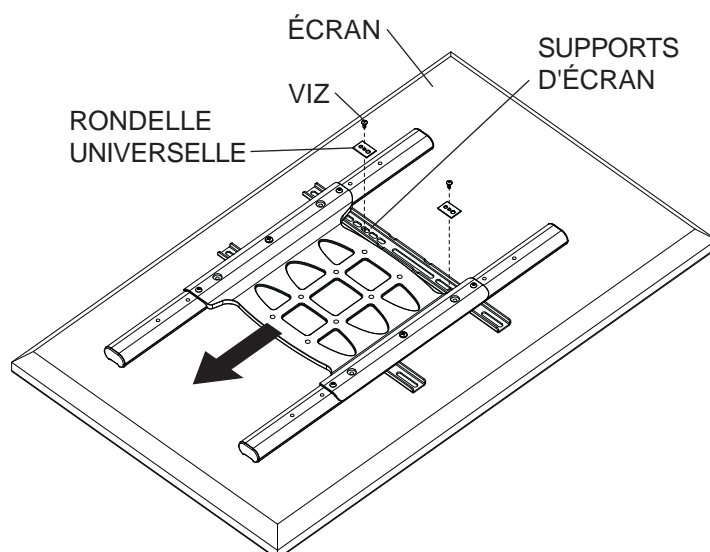
Commencez par la vis la plus courte et vissez-la manuellement à l'écran en la faisant passer à travers la rondelle tout-usage et les supports de l'écran (**B**), comme indiqué ci-dessous. La vis doit effectuer au moins trois tours complets dans le trou de fixation et tenir solidement en place. Ne pas trop serrer. S'il est impossible d'effectuer trois tours de vis complets, choisissez une vis plus longue dans le jeu de fixations à compartiments. Centrez les supports d'écran à la verticale et serrez les vis.

REMARQUE : Pour les écrans à dos convexes ou concaves, des entretoises peuvent être utilisées. L'entretoise doit être placée entre le support d'écran et l'écran.



4-3 Faites glisser le support adaptateur universel du côté opposé et alignez le deuxième support d'écran sur le deuxième ensemble de trous de fixation de l'écran.

Serrez les vis manuellement à l'écran, en les faisant passer à travers la rondelle tout-usage, le support d'écran et, s'il y a lieu, l'entretoise, comme indiqué ci-dessous. Serrez toutes les vis.



4-4 Centrez les supports d'écran horizontalement à l'arrière de l'écran comme illustré à la figure 4.3. Serrez deux vis de 1/4-20 X 1,25 po. Réinstallez quatre vis 1/4-20 x 0,6 po à l'aide d'une clé hexagonale de 5mm (**I**) dans la position d'arrêt appropriée comme illustré à la figure 4.4.

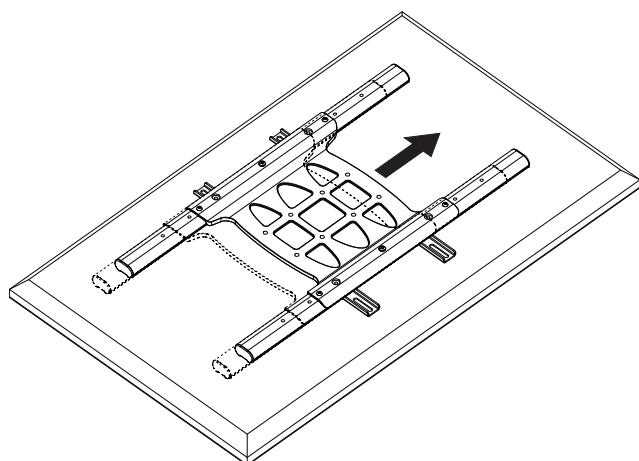


fig. 4.3

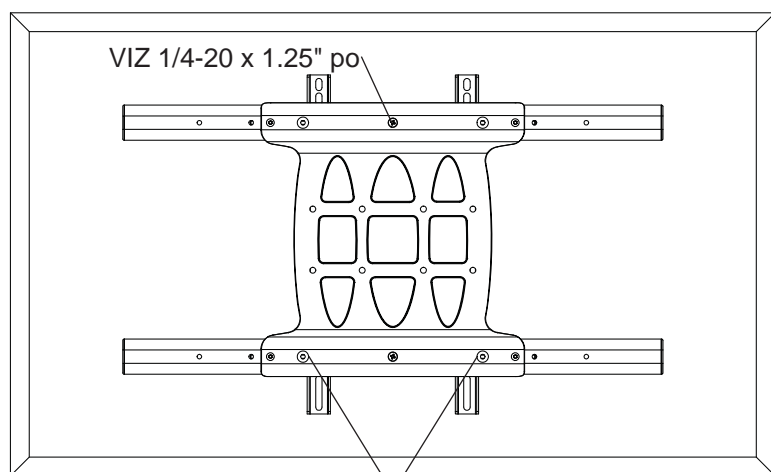


fig. 4.4 POSITION D'ARRÊT No 1 AVEC VIZ 1/4-20 X 0,6 PO

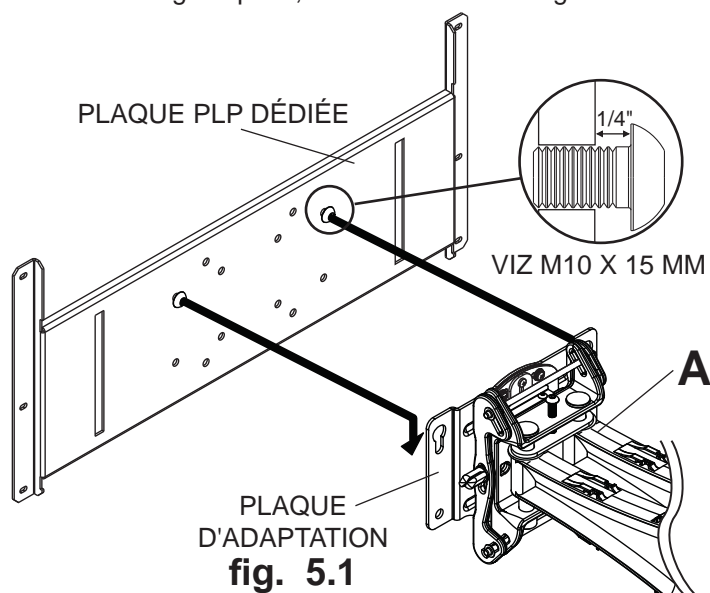
⚠ AVERTISSEMENT

- Ne soulevez pas plus que votre capacité. Faites-vous aider par une autre personne ou utilisez un système de levage mécanique pour effectuer une installation de l'écran en toute sécurité.
- Ne serrez pas les vis de façon excessive. Un serrage excessif peut endommager le montant. Serrez les vis M10 x 15mm (E) à un couple maximal de 40 po-lb (4,5 N.m).

Installation de l'écran plat

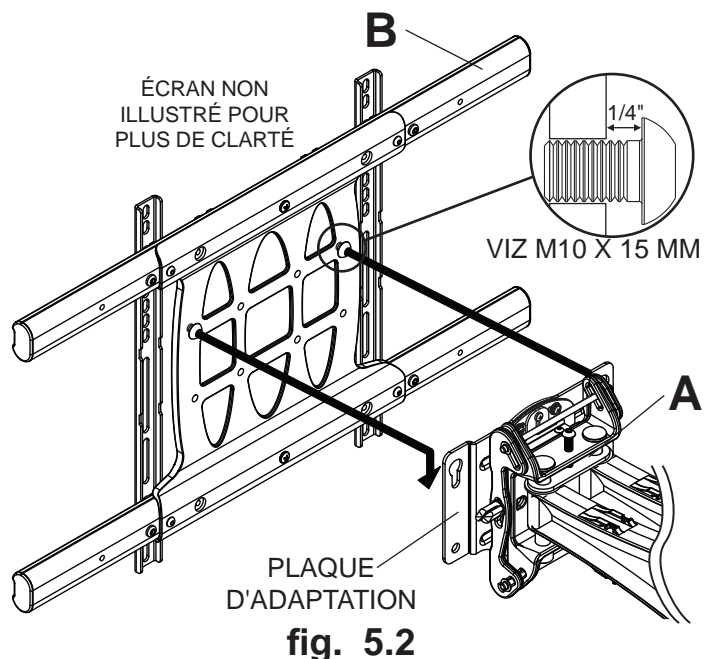
- 5** **PLAQUE PLP DÉDIÉE (non évalué UL):** Veuillez vous reporter à la feuille d'instructions sur le modèle PLP pour la fixation de la plaque PLP dédiée à l'écran.

Insérez deux vis M10 x 15mm (fournies avec la plaque PLP dédiée) dans les deux trous supérieurs de la plaque PLP dédiée, en laissant environ 1/4 po de filetage exposé, comme illustré à la figure 5.1.

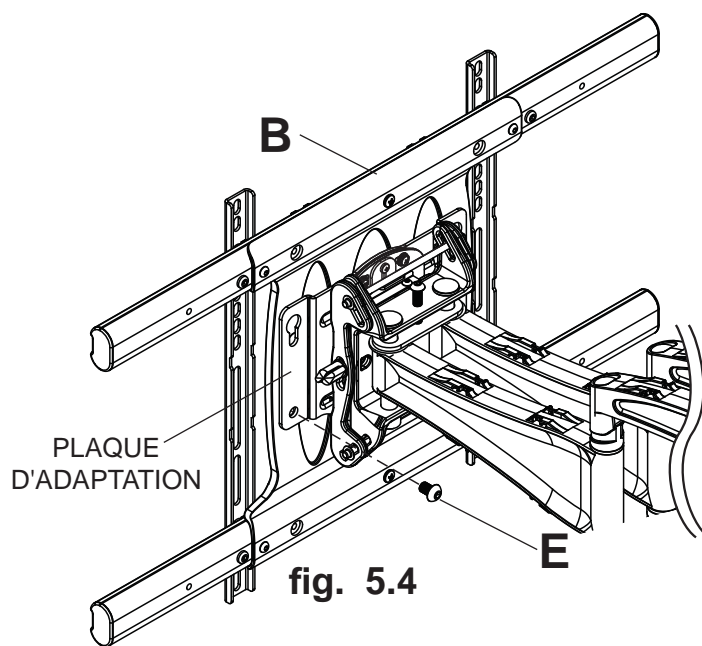
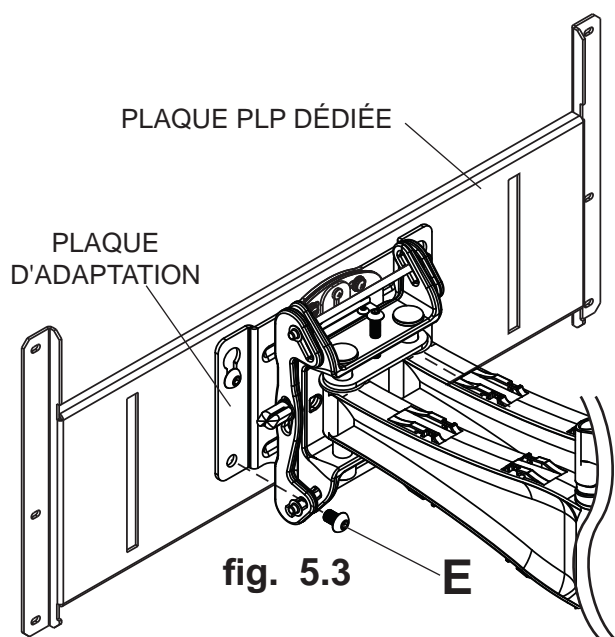


SUPPORTS ADAPTATEURS UNIVERSELS :

Accrochez les vis M10 x 15mm sur les trous en forme de serrure de la plaque d'adaptation (A) comme illustré à la figure 5.2.



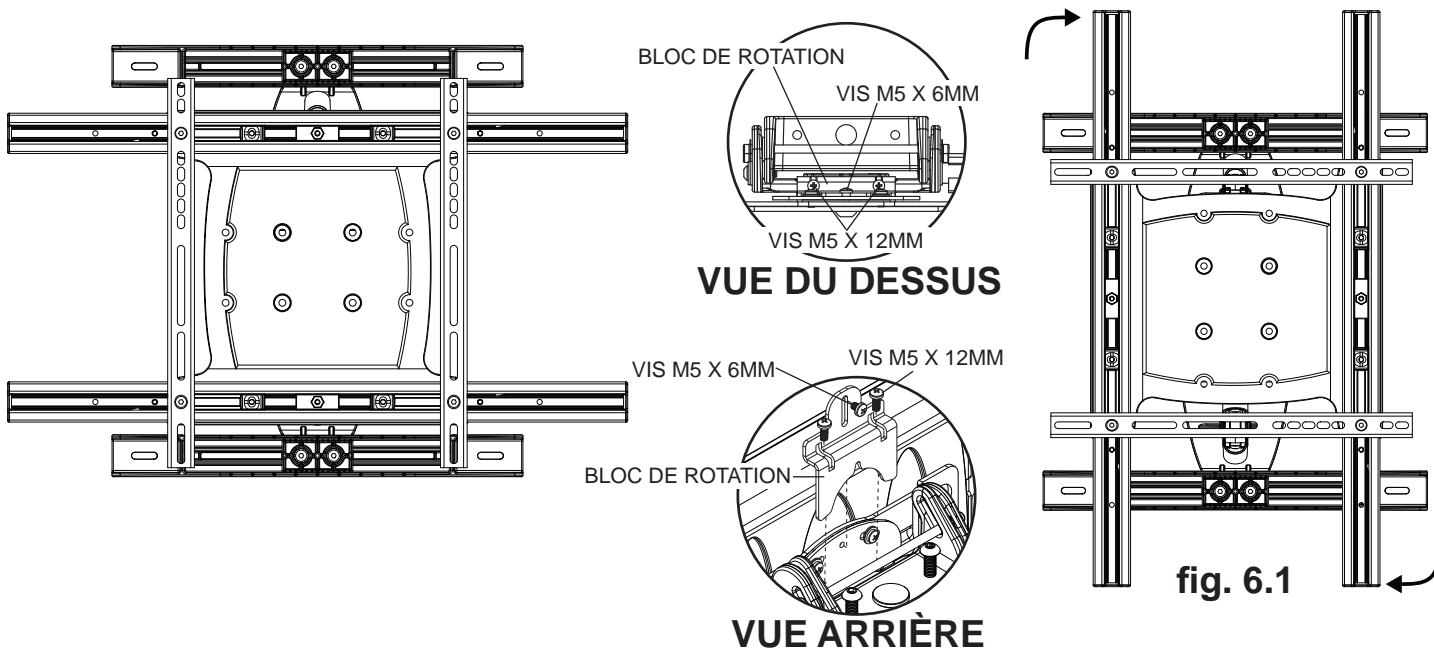
- 5-1** Insérez deux vis M10 x 15mm (E) dans les trous inférieurs de la plaque d'adaptation. Serrez toutes les fixations à l'aide d'une clé hexagonale de 6mm (H), comme illustré à la figure 5.3 et 5.4.



⚠ AVERTISSEMENT

- Si le plaque murale (A) n'est pas verrouillée avec deux vis M10 x 15mm (E) avant que l'orientation est changée, l'écran peut se détacher du montant s'il est heurté accidentellement.

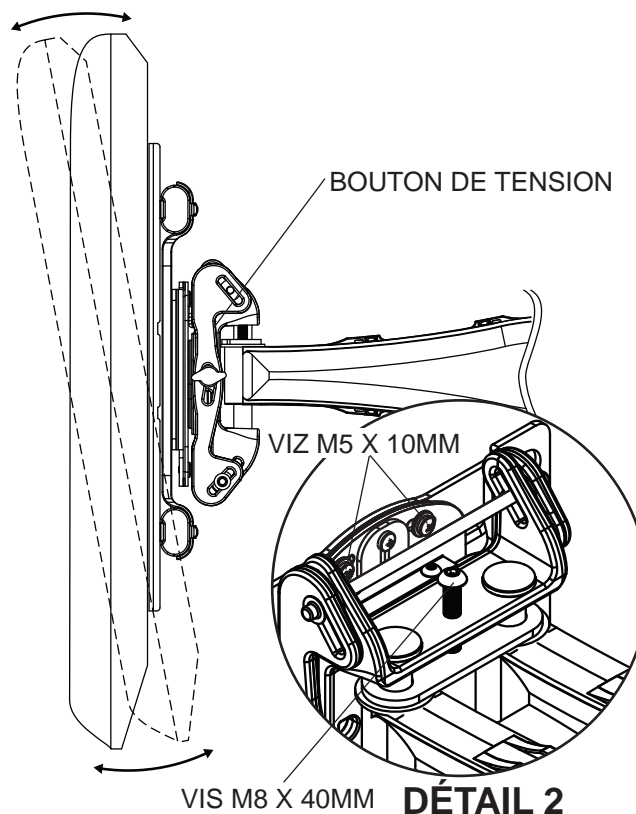
- 6 ORIENTATION DE L'ÉCRAN SELON UN FORMAT VERTICAL OU HORIZONTAL :** Retirez les deux vis M5 x 12mm, vis M5 x 6mm et le bloc de rotation de la partie supérieure de la tête basculante comme illustré dans la vue du dessus et la vue arrière. Tenez délicatement les côtés de l'écran et faites-le pivoter en position verticale ou horizontale comme illustré à la figure 6.1 et réinstallez le bloc de rotation à l'aide de deux vis M5 x 12mm et vis M5 x 6mm. **REMARQUE:** Vis M5 x 6mm nécessaires en orientation paysage uniquement.



- 7 Réglage de l'inclinaison :** Réglez les boutons de serrage situés sur le côté du support à la tension souhaitée pour permettre le réglage l'inclinaison et équilibrer la taille et le poids de l'écran. Poussez ou tirez depuis le haut ou le bas de l'écran pour régler l'inclinaison comme illustré. L'inclinaison peut être réglée à un maximum de 10° vers l'avant ou 5° vers l'arrière. Resserrez le bouton de serrage. **REMARQUE:** Pour des écrans plus larges, vis de tension sur le côté opposé de la montagne peut-être besoin d'être serrés avec 5/32 po une clé allen (L).

Réglage du PIVOTEMENT LATÉRAL : Faites pivoter l'écran de 5° dans le sens horaire ou antihoraire, mettez l'écran de niveau, puis serrez les vis M5 x 10mm à l'aide d'une clé hexagonale de 5mm (I) comme illustré dans le dessin de détail 2.

RÉGLAGE DE LA HAUTEUR : Serrez ou desserrez les vis M8 x 40mm de manière à obtenir un réglage de la hauteur de ± 1 po comme illustré dans le dessin de détail 2.



PRUDENCE

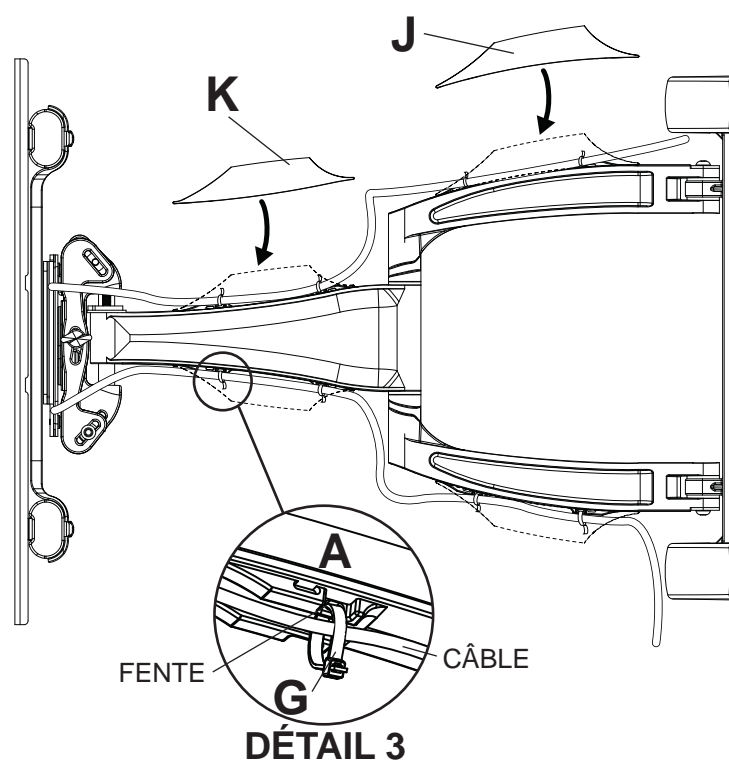
- Ne serrez pas les vis de façon excessive.
- Veillez à ne pas vous pincer les doigts lors de l'ouverture et de la fermeture du montant sur le mur.

Gestion des câbles

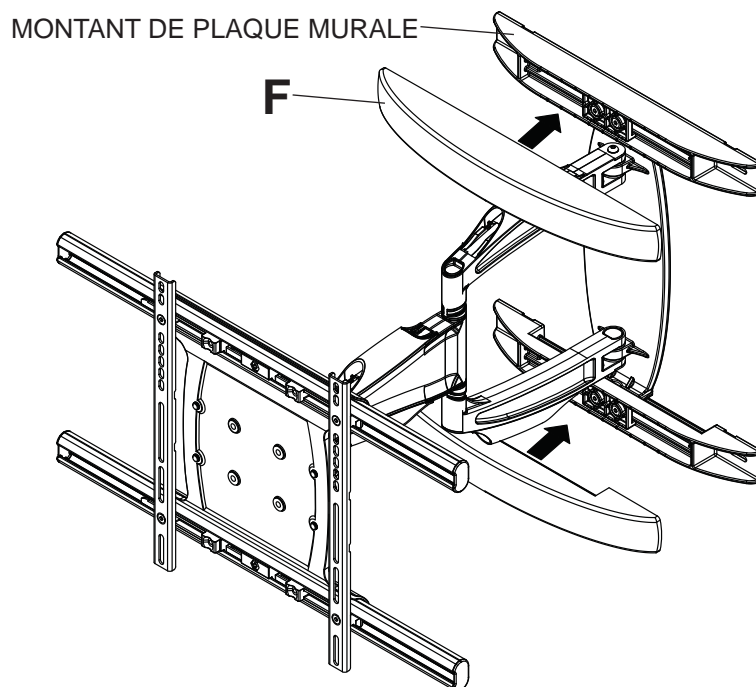
8 **REMARQUE :** Veillez à ce que les câbles aient assez de jeu pour permettre au bras de bouger librement.

Acheminez le câble d'alimentation dans le haut ou le bas du bras (**A**) et le(s) câble(s) d'interconnexion dans l'autre côté du bras afin d'éviter de brouiller le signal. Faites tenir les câbles en place en pressant les cache-câbles (**J et K**) sur le support comme illustré. Il se peut que vous deviez déplacer l'écran pour faciliter l'accès.

FACULTATIF : Si une gestion des câbles additionnelle est nécessaire, acheminez les attaches de câble (**G**) dans les fentes du bras (**A**) comme illustré dans le dessin de détail 3.



9 Pressez les couvercles de plaque murale (**F**) sur le haut et le bas des montants de la plaque murale comme illustré.



Réglage de la tension du bras

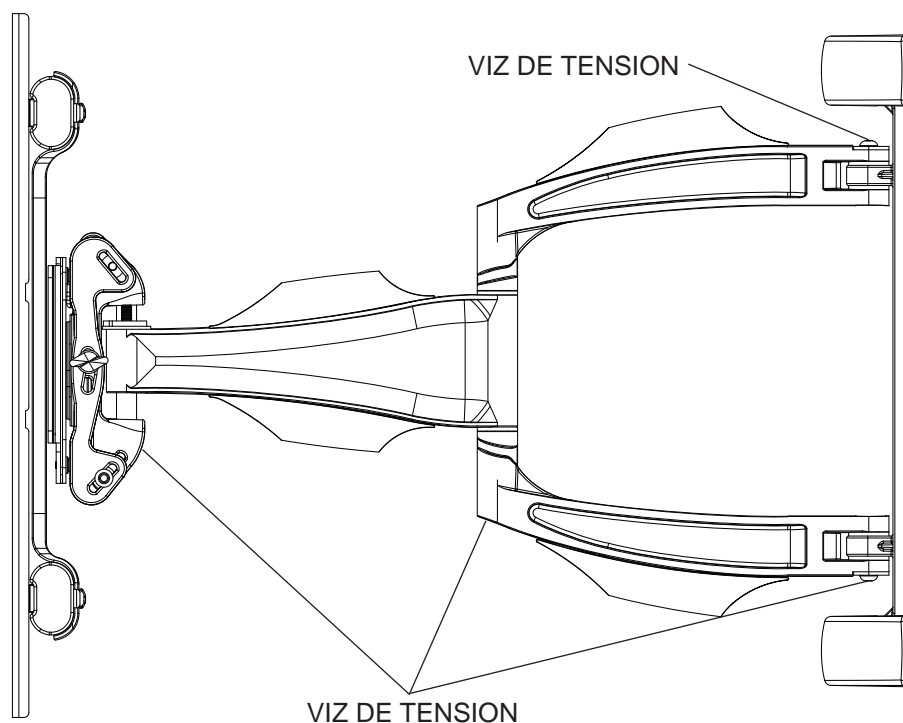
⚠ AVERTISSEMENT

- Ne pas retirer ni desserrer la vis avant qu'elle ne soit complètement dégagée du support. Cela risquerait de faire tomber l'écran.
- Si les vis se desserrent au fil du temps, resserrez-les au besoin. Serrez les vis à un couple maximal de 50 po-lb (5,6 Nm).

10

Procédez comme suit pour augmenter ou diminuer la tension des points de pivotement du bras :

- Pour augmenter la tension, tournez la ou les vis de tension dans le sens horaire avec la clé hexagonale de 5mm (I). **REMARQUE : Serrez les vis à un couple maximum de 5,6 Nm (50 po-lb).**
- Pour diminuer la tension, tournez la ou les vis de tension dans le sens antihoraire avec la clé hexagonale de 5mm (I). **REMARQUE : Ne tournez pas de plus d'un demi-tour.**



*LIMITED FIVE-YEAR WARRANTY

Peerless Industries, Inc. ("Peerless") warrants to original end-users of Peerless® products will be free from defects in material and workmanship, under normal use, for a period of five years from the date of purchase by the original end-user (but in no case longer than six years after the date of the product's manufacture). At its option, Peerless will repair or replace, or refund the purchase price of, any product which fails to conform with this warranty.

In no event shall the duration of any implied warranty of merchantability or fitness for a particular purpose be longer than the period of the applicable express warranty set forth above. Some states do not allow limitations on how long an implied warranty lasts, so the above limitation may not apply to you.

This warranty does not cover damage caused by (a) service or repairs by the customer or a person who is not authorized for such service or repairs by Peerless, (b) the failure to utilize proper packing when returning the product, (c) incorrect installation or the failure to follow Peerless' instructions or warnings when installing, using or storing the product, or (d) misuse or accident, in transit or otherwise, including in cases of third party actions and force majeure.

In no event shall Peerless be liable for incidental or consequential damages or damages arising from the theft of any product, whether or not secured by a security device which may be included with the Peerless® product. Some states do not allow the exclusion or limitation of incidental or consequential damages, so the above limitation or exclusion may not apply to you.

This warranty is in lieu of all other warranties, expressed or implied, and is the sole remedy with respect to product defects. No dealer, distributor, installer or other person is authorized to modify or extend this Limited Warranty or impose any obligation on Peerless in connection with the sale of any Peerless® product.

This warranty gives specific legal rights, and you may also have other rights which vary from state to state.

*This warranty does not cover corrosion or rust trails resulting from damaged paint or surface chipping which exposes raw metal to the elements. Surface corrosion from scratches, nicks and chips is not covered. Peerless Industries, Inc. establishes a warranty period of corrosion for one year for product manufactured or supplied by Peerless.



www.peerless-av.com

© 2012 Peerless Industries, Inc.

Español

*GARANTÍA LIMITADA DE CINCO AÑOS

Peerless Industries, Inc. (Peerless) les garantiza a los usuarios finales originales de los productos Peerless® que los productos Peerless® estarán libres de defectos de materiales o de manufactura, en condiciones de uso normal, durante un período de cinco (5) años a partir de la fecha en la que el usuario final original compre cualquier producto (pero, en ningún caso, durante un período mayor de 6 años después de la fecha de manufactura del producto). Queda a la discreción de Peerless, reparar, reemplazar o reembolsar el precio de compra de cualquier producto que no cumpla esta garantía.

La duración de toda garantía implícita de comerciabilidad o de idoneidad para un propósito en particular no sobrepasará en caso alguno el período de vigencia de la garantía explícita correspondiente indica en lo anterior. Algunos Estados no permiten que se establezcan limitaciones en relación con el período de duración de una garantía implícita, de manera que es posible que la limitación expuesta en lo anterior no sea pertinente a usted.

Esta garantía no cubre daños causados por (a) trabajos de mantenimiento o de reparación hechos por el cliente o alguna persona que no esté autorizada por Peerless para realizar dichos trabajos de mantenimiento o de reparación, (b) no empacar el producto como es debido si lo devuelve, (c) hacer una instalación incorrecta o no seguir las instrucciones o las advertencias de Peerless al instalar, utilizar o guardar el producto o (d) el mal uso o los accidentes, en tránsito o en otras circunstancias, incluidos los casos relacionados con las acciones de terceros o una fuerza mayor.

Peerless no tendrá responsabilidad en ningún caso de daños y perjuicios incidentales o indirectos o de daños y perjuicios que surjan por el robo de cualquier producto, ya sea que el mismo esté o no esté asegurado con un dispositivo de seguridad que se haya incluido con el producto de Peerless®. Algunos Estados no permiten que se excluyan o se establezcan limitaciones en relación con los daños y perjuicios incidentales o indirectos, de manera que es posible que la limitación o la exclusión expuesta en lo anterior no sea pertinente a usted.

Esta garantía reemplaza toda otra garantía, expresa o implícita, y es el único recurso en lo que respecta a los defectos del producto. Ningún concesionario, distribuidor, instalador ni ninguna otra persona está autorizada a modificar o extender esta Garantía Limitada ni a imponer obligación alguna a Peerless en relación con la venta de cualquier producto de Peerless®.

Esta garantía concede derechos específicos creados por ley y es posible que usted, además, tenga otros derechos que varían de acuerdo con el Estado donde se encuentre.

*Esta garantía no cubre la corrosión ni las manchas de oxidación que sean el resultado de pintura arruinada o superficies rayadas, que expongan el metal no tratado a los elementos. No se cubre la corrosión de la superficie a causa de rayones, muescas o descascarillados. Peerless Industries, Inc. establece un período de garantía de un (1) año por corrosión para los productos manufacturados o suministrados por Peerless.



www.peerless-av.com

© 2012 Peerless Industries, Inc.

*GARANTIE DE CINQ ANS

Peerless Industries, Inc. (« Peerless ») garantit aux utilisateurs finaux d'origine des produits PeerlessMD que lesdits produits ne présenteront aucun défaut de matériau ou de main-d'œuvre, dans la mesure où ils sont utilisés normalement, pendant une période de cinq ans à compter de la date d'achat par l'utilisateur final d'origine (mais en aucun cas plus de six ans après la date de fabrication du produit). Peerless, à sa discrétion, réparera ou remplacera tout produit non conforme aux termes de cette garantie, ou en remboursera le prix d'achat.

La durée de toute garantie implicite de qualité commerciale ou d'application à un usage particulier n'excédera en aucun cas la durée de la garantie applicable expressément stipulée plus haut. Certains états ou provinces n'autorisent pas la limitation de la durée d'une garantie implicite, et la limitation ci-dessus peut donc ne pas vous être applicable.

Cette garantie ne couvre pas les dommages causés par (a) un entretien ou des réparations effectués par l'acheteur ou une personne non autorisée par Peerless à effectuer un tel entretien ou de telles réparations, (b) un emballage inadéquat lors de l'expédition d'un produit retourné, (c) une installation incorrecte ou le non-respect des instructions ou mises en garde de Peerless lors de l'installation, l'utilisation ou le rangement du produit, ou (d) une mauvaise utilisation ou un accident survenu lors d'un transport ou autrement, y compris l'intervention de tiers et les cas de force majeure.

Peerless ne peut en aucun cas être tenu responsable de quelque dommage accessoire ou indirect que ce soit ni de dommages résultant du vol d'un quelconque produit, que celui-ci ait été ou non protégé par un dispositif de sécurité intégré à un produit PeerlessMD. Certains états ou provinces n'autorisent pas l'exclusion ou la restriction des dommages accessoires ou indirects, et il est possible que les restrictions ou exclusions ci-dessus ne s'appliquent pas à votre cas.

Les dispositions de cette garantie remplacent toute autre garantie expresse ou implicite et constituent le seul recours possible en cas de défectuosité d'un produit. Aucun marchand, distributeur, installateur ou autre personne n'est autorisé à modifier ou étendre la portée de cette garantie limitée, ni à imposer quelque obligation ce que soit à Peerless en ce qui concerne la vente de tout produit PeerlessMD.

Cette garantie offre des droits juridiques particuliers auxquels peuvent s'ajouter d'autres droits, susceptibles de varier d'une province ou d'un état à l'autre.

* La présente garantie ne couvre pas la corrosion ou les marques de rouille causées par une peinture endommagée ou un écaillage de la surface exposant le métal nu aux éléments. La corrosion de la surface causée par des rayures, des ébréchures ou des écaillures n'est pas couverte. Peerless Industries, Inc. offre une période de garantie d'un an contre la corrosion sur les produits fabriqués ou fournis par Peerless.

peerless-AV™

www.peerless-av.com

© 2012 Peerless Industries, Inc.

Touchboards

205 Westwood Ave, Long Branch, NJ 07740

Phone: 866-94 BOARDS (26273) / (732)-222-1511

Fax: (732)-222-7088 | E-mail: sales@touchboards.com