

EWP-OH75F



**Mounting Pattern**  
800 x 1118mm  
(31.50" x 44.00")



**Max load**  
325lb (147.7kg)



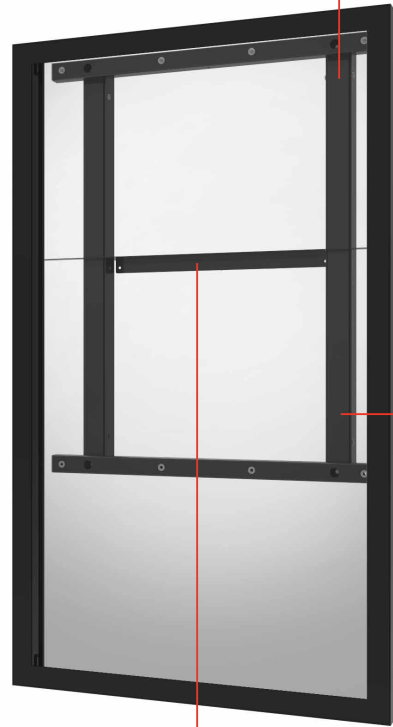
Corrosion Resistant

- Designed specifically for outdoor use and constructed from weatherproof materials
- Small footprint reduces the chance for wall and cable interference
- Display spaced off the wall for proper air ventilation
- Adaptors hook onto the wall channel, simplifying the install

# Outdoor Flat Wall Mount, Portrait

FOR THE 75" **SAMSUNG** SMART SIGNAGE  
OUTDOOR DISPLAY (OH75F)

The Peerless-AV® Outdoor Flat Wall Mount was designed exclusively for the 75" Samsung SMART Signage Outdoor Display. Constructed of weatherproof and corrosion resistant materials, this mount is built to thrive outdoors, all year round. With a clean profile, security hardware to deter tampering, and air baffles to ensure proper airflow to the display, the EWP-OH75F is an ideal mounting solution for any portrait oriented application - from retail, mass transit and more.



■ **CLEAN PROFILE DESIGN**  
Hides cables and hardware within enclosed wall plate for a clutter-free installation

■ **SECURITY HARDWARE**  
Deters tampering and theft

■ **AIR BAFFLES**  
Help separate exhaust from intake air



Landscape Orientation Available  
(EWL-OH75F)

**RoHS**  
RECYCLED

✉ info@peerless-av.com  
🌐 peerless-av.com

**peerless-AV**®  
Driving Technology Through Innovation

**EWP-OH75F** Outdoor Flat Wall Mount, Portrait for the 75" Samsung SMART Signage Outdoor Display (OH75F)

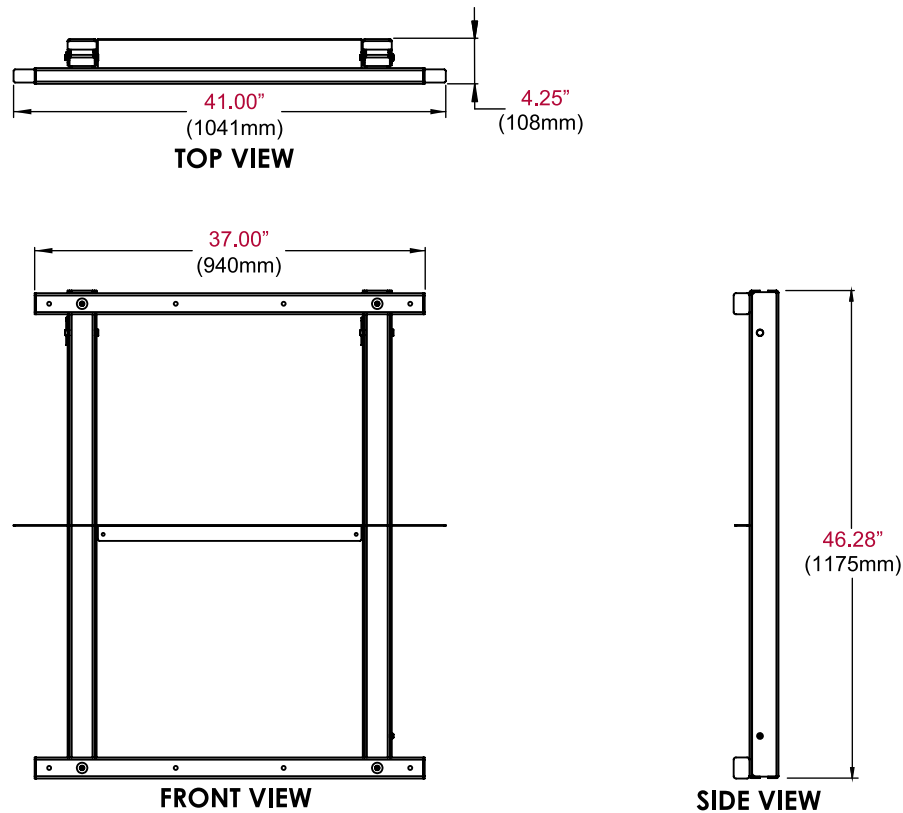
**Product Specifications**

	DIMENSIONS (W x H x D)	PRODUCT WEIGHT	LOAD CAPACITY	FINISH	AVAILABLE COLORS
<b>EWP-OH75F</b>	41.0" x 46.28" x 4.25" (1041 x 1175 x 108mm)	67lb (30.4kg)	325lb (147.7kg)	Powder Coat	Black

**Package Specifications**

	PACKAGE SIZE (W x H x D)	PACKAGE SHIP WEIGHT	PACKAGE UPC CODE	PACKAGE CONTENTS	UNITS IN PACKAGE
<b>EWP-OH75F</b>	50.0" x 6.0" x 6.0" (1270 x 152 x 152mm)	68lb (30.9kg)	735029322313	Mount, Air Baffle and Mounting Hardware	1

All dimensions = inch (mm)



**Architect Specifications**

The Outdoor Flat Wall Mount, Portrait shall be a Peerless-AV® model EWP-OH75F and shall be located where indicated on the plans. Assembly and installation shall be done according to instructions provided by the manufacturer.

Visit [peerless-av.com](http://peerless-av.com) to see the complete line of AV solutions from Peerless-AV, including outdoor displays, wireless, kiosks, digital audio, display mounts, projector mounts, carts/stands, and a full assortment of accessories.

**Peerless-AV**  
2300 White Oak Circle  
Aurora, IL 60502 USA  
**(800) 865-2112**  
**(630) 375-5100**  
**Fax: (800) 359-6500**

**Peerless-AV EMEA**  
Unit 3 Watford Interchange  
Colonial Way, Watford  
Herts, WD24 4WP  
United Kingdom  
**+44 (0) 1923 200100**  
**Fax: +44 (0) 1923 200101**

**Peerless-AV Latin America**  
Ave de las Industrias 413  
Parque Industrial Escobedo  
Escobedo, N.L.,  
Mexico 66062  
**+52 (81) 8384-8300**  
**Fax: +52 (81) 8384-8360**

