

EWP-OH85F



Outdoor Flat Wall Mount, Portrait

FOR THE 85" **SAMSUNG** SMART SIGNAGE
OUTDOOR DISPLAY (OH85F)

The Peerless-AV® Outdoor Flat Wall Mount was designed exclusively for the 85" Samsung SMART Signage Outdoor Display. Constructed of weatherproof and corrosion resistant materials, this mount is built to thrive outdoors, all year round. With a clean profile, security hardware to deter tampering, and air baffles to ensure proper airflow to the display, the EWP-OH85F is an ideal mounting solution for any portrait oriented application - from retail, mass transit and more.



Mounting Pattern
1000 x 1118mm
(39.40" x 44.00")



Max load
375lb (170.4kg)



Corrosion Resistant

- Designed specifically for outdoor use and constructed from weatherproof materials
- Small footprint reduces the chance for wall and cable interference
- Display spaced off the wall for proper air ventilation
- Adaptors hook onto the wall channel, simplifying the install

CLEAN PROFILE DESIGN

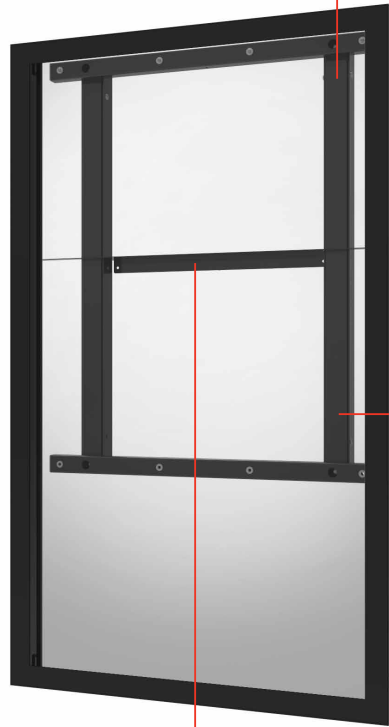
Hides cables and hardware within enclosed wall plate for a clutter-free installation

SECURITY HARDWARE

Deters tampering and theft

AIR BAFFLES

Help separate exhaust from intake air



Landscape Orientation Available
(EWL-OH85F)

RoHS

✉ info@peerless-av.com

🌐 peerless-av.com

peerless-AV[®]
Driving Technology Through Innovation

EWP-OH85F Outdoor Flat Wall Mount, Portrait for the 85" Samsung SMART Signage Outdoor Display (OH85F)

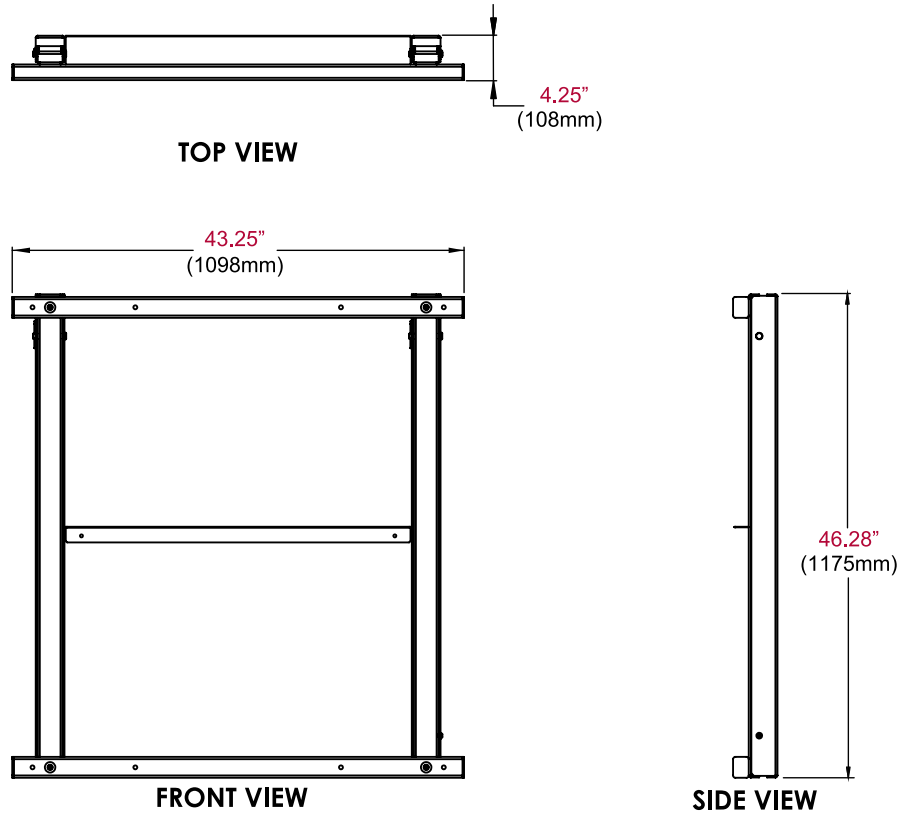
Product Specifications

	DIMENSIONS (W x H x D)	PRODUCT WEIGHT	LOAD CAPACITY	FINISH	AVAILABLE COLORS
EWP-OH85F	43.25" x 46.28" x 4.25" (1098 x 1175 x 108mm)	68lb (30.9kg)	375lb (170.4kg)	Powder Coat	Black

Package Specifications

	PACKAGE SIZE (W x H x D)	PACKAGE SHIP WEIGHT	PACKAGE UPC CODE	PACKAGE CONTENTS	UNITS IN PACKAGE
EWP-OH85F	50.0" x 6.0" x 6.0" (1270 x 152 x 152mm)	70lb (31.8kg)	735029321446	Mount, Air Baffle and Mounting Hardware	1

All dimensions = inch (mm)



Architect Specifications

The Outdoor Flat Wall Mount, Portrait shall be a Peerless-AV® model EWP-OH85F and shall be located where indicated on the plans. Assembly and installation shall be done according to instructions provided by the manufacturer.

Visit peerless-av.com to see the complete line of AV solutions from Peerless-AV, including outdoor displays, wireless, kiosks, digital audio, display mounts, projector mounts, carts/stands, and a full assortment of accessories.

Peerless-AV
2300 White Oak Circle
Aurora, IL 60502 USA
(800) 865-2112
(630) 375-5100
Fax: (800) 359-6500

Peerless-AV EMEA
Unit 3 Watford Interchange
Colonial Way, Watford
Herts, WD24 4WP
United Kingdom
+44 (0) 1923 200100
Fax: +44 (0) 1923 200101

Peerless-AV Latin America
Ave de las Industrias 413
Parque Industrial Escobedo
Escobedo, N.L.,
Mexico 66062
+52 (81) 8384-8300
Fax: +52 (81) 8384-8360

