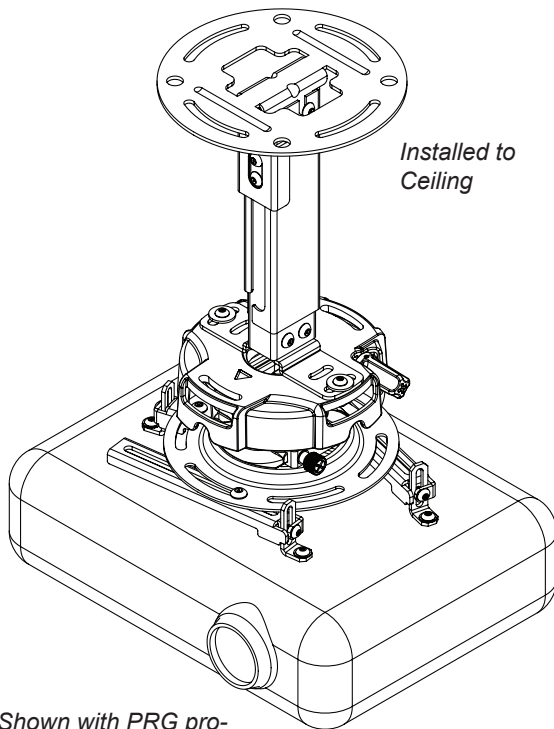


Installation and Assembly: Projector Ceiling/Wall Mount

Model#	Max UL Load Capacity	
EXA, EXA-S, EXA-W, EXB, EXB-S, EXB-W, EXC, EXC-S, EXC-W	used with PRS projector mount	25 lb (11.3 kg)
	used with PRG projector mount	50 lb (22.7 kg)

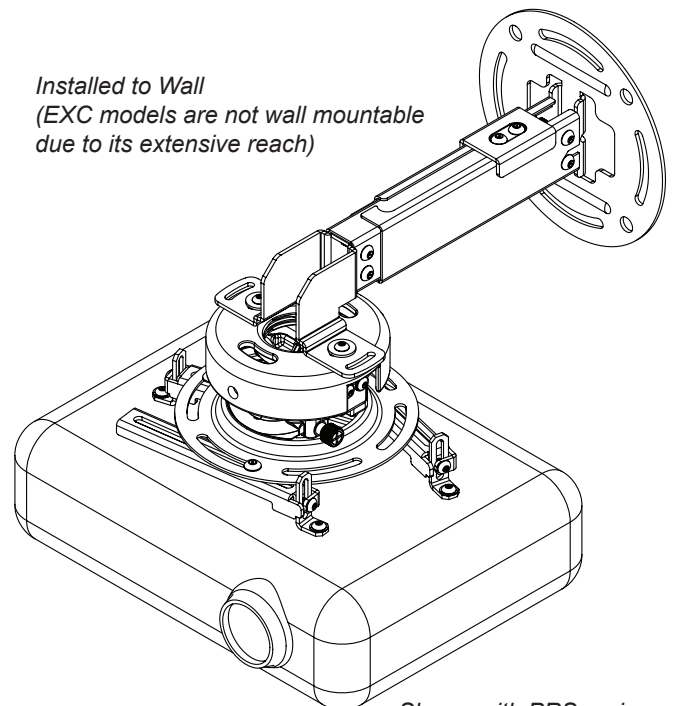


Installed to Ceiling

Shown with PRG projector mount and projector (not included)



This product is intended for use with UL Listed products and must be installed by a qualified professional installer.



*Installed to Wall
 (EXC models are not wall mountable due to its extensive reach)*

Shown with PRS projector mount and projector (not included)

Features:

- For use with PRG-UNV and PRS-UNV Projector Mounts
- EXA and EXB series for ceiling or wall mounting
- EXC models for ceiling mounting
- Integrated cable management
- Various height adjustments for ideal viewing positions

Note: Read entire instruction sheet before you start installation and assembly.

⚠ WARNING

- Do not begin to install your Peerless product until you have read and understood the instructions and warnings contained in this Installation Sheet. If you have any questions regarding any of the instructions or warnings, please call Peerless customer care at 1-800-865-2112.
- This product should only be installed by someone of good mechanical aptitude, has experience with basic building construction, and fully understands these instructions.
- Make sure that the supporting surface will safely support the combined load of the equipment and all attached hardware and components.
- Never exceed the Maximum UL Load Capacity. See page 1.
- If mounting to wood ceiling/wall studs, make sure that mounting screws are anchored into the center of the studs. Use of an "edge to edge" stud finder is highly recommended.
- Always use an assistant or mechanical lifting equipment to safely lift and position equipment.
- Tighten screws firmly, but do not overtighten. Overtightening can damage the items, greatly reducing their holding power.
- This product is intended for indoor use only. Use of this product outdoors could lead to product failure and personal injury.
- This product was designed and intended to be mounted to the following supporting surfaces checked below with the hardware included in this product as specified in the installation sheet. To mount this product to an alternative supporting surface, contact Peerless customer care at 1 800 865-2112.
- This product was designed to be installed on the following ceiling/wall construction only;

CEILING/WALL CONSTRUCTION ADDITIONAL HARDWARE REQUIRED

<input checked="" type="checkbox"/> Wood Stud	None
<input checked="" type="checkbox"/> Wood Joist	None
<input checked="" type="checkbox"/> Solid Concrete	None
<input checked="" type="checkbox"/> Cinder Block	None
<input type="checkbox"/> Metal Stud	Do not attach except with Peerless accessory kit for metal studs; Contact Customer Service for Peerless accessory kit for metal studs.
<input type="checkbox"/> Brick	Contact Customer Service
<input type="checkbox"/> Other or unsure?	Contact Customer Service

Tools Needed for Assembly

- stud finder ("edge to edge" stud finder is recommended)
- drill
- 1/4" bit for concrete and cinder block wall
- 5/32" bit for wood stud or joist
- level
- 8 mm open end wrench

Table of Contents

Parts List.....	3, 4
Install Outer Channel to Ceiling Plate	4
Installation to Wood Joist Ceiling or Wood Stud Wall.....	5
Installation to Solid Concrete Ceiling or Concrete/Cinder Block Walls.....	6
Installing Inner Channel and Routing Cables	7
Installing Projector Mount.....	8-9
Installing Projector	9
Adjusting Mount Extension	10
Install Cable Covers	10
Projector Alignment	11

Before you begin, make sure all parts shown are included with your product.

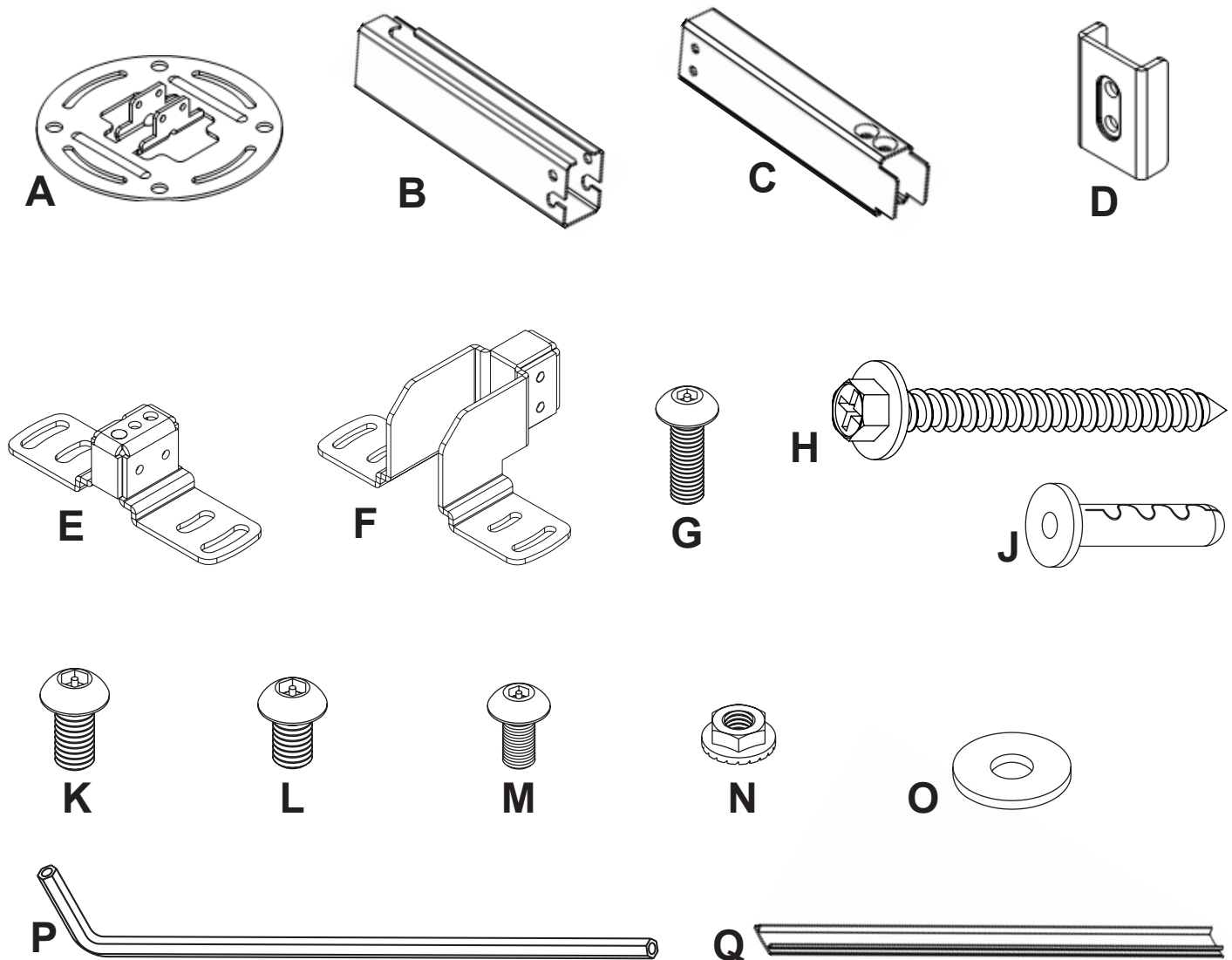
Parts List			EXA EXB Part #	EXA-S EXB-S Part #	EXA-W EXB-W Part #	EXC Part #	EXC-S Part #	EXC-W Part #
Description	Qty							
A ceiling plate	1	096-1292	096-4292	096-2292	096-1292	096-4292	096-2292	
B outer channel	1	SEE CHART	SEE CHART	SEE CHART	SEE CHART	SEE CHART	SEE CHART	
C inner channel	1	SEE CHART	SEE CHART	SEE CHART	SEE CHART	SEE CHART	SEE CHART	
D clamp plate	1	055-1771	055-4771	055-2771	055-1771	055-4771	055-2771	
E vertical mounting plate	1	055-1876	055-4876	055-2876	055-1876	055-4876	055-2876	
F horizontal mounting plate	1	055-1787	055-4787	055-2787	N/A	N/A	N/A	
G M5 x 16 mm socket pin screw	2	520-1161	520-2161	520-2161	520-1161	520-2161	520-2161	
H #14 x 2.5 wood screw	2	5S1-015-C03	5S1-015-C04	5S1-015-C04	5S1-015-C03	5S1-015-C04	5S1-015-C04	
I concrete anchor	2	590-0097	590-0097	590-0097	590-0097	590-0097	590-0097	
J M6 x 12 mm socket pin screw	2	520-1050	520-2050	520-2050	520-1050	520-2050	520-2050	
K M6 x 10 mm socket pin screw	4	520-1066	520-2066	520-2066	520-1066	520-2066	520-2066	
L M5 x 10 mm socket pin screw	4	520-1063	520-2063	520-2063	520-1063	520-2063	520-2063	
M serrated locknut	2	530-1027	530-2027	530-2027	530-1027	530-2027	530-2027	
N flat washer	6	540-1078	540-2078	540-2078	540-1078	540-2078	540-2078	
O 4 mm security allen wrench	1	560-9646	560-9646	560-9646	560-9646	560-9646	560-9646	
P cable cover	2	SEE CHART	SEE CHART	SEE CHART	SEE CHART	SEE CHART	SEE CHART	

OUTER CHANNEL, INNER CHANNEL AND CABLE COVER PART NUMBER CHART

Model #	extendable length	outer channel (B) part #	inner channel (C) part #	cable cover (G) part #
EXA	8.69" - 12.79"	055-1779	055-1778	055-1809-2
EXA-S	8.69" - 12.79"	055-4779	055-4778	055-4809-2
EXA-W	8.69" - 12.79"	055-2779	055-2778	055-2809-2
EXB	12.69" - 20.69"	055-1776	055-1775	055-1809-1
EXB-S	12.69" - 20.69"	055-4776	055-4775	055-4809-1
EXB-W	12.69" - 20.69"	055-2776	055-2775	055-2809-1
EXC	19.14" - 32.9"	055-1770	055-1769	055-1809
EXC-S	19.14" - 32.9"	055-4770	055-4769	055-4809
EXC-W	19.14" - 32.9"	055-2770	055-2769	055-2809

Part List Continued

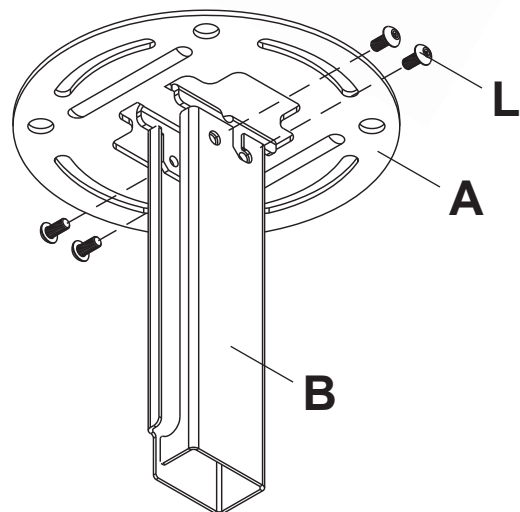
Parts may appear slightly different than illustrated.



Install Outer Channel to Ceiling Plate

- 1 Attach outer channel (B) to ceiling plate (A) using four M6 x 10 mm socket pin screws (L) as shown.

Tighten screws with security wrench (P).



Installation to Wood Joist Ceilings or Wood Stud Walls

⚠ WARNING

- Installer must verify that the supporting surface will safely support the combined load of the equipment and all attached hardware and components.
- Tighten wood screws so that ceiling/wall plate is firmly attached, but do not overtighten. Overtightening can damage the screws, greatly reducing their holding power.
- Never tighten in excess of 80 in. • lb (9 N.M.).
- Make sure that mounting screws are anchored into the center of the stud or joist. The use of an "edge to edge" stud finder is highly recommended.
- Hardware provided is for attachment of mount through standard thickness drywall or plaster into wood studs or joists. Installers are responsible to provide hardware for other types of mounting situations (not UL approved).

2 NOTE: Wall installation with models EXC, EXC-S and EXC-W is not available.

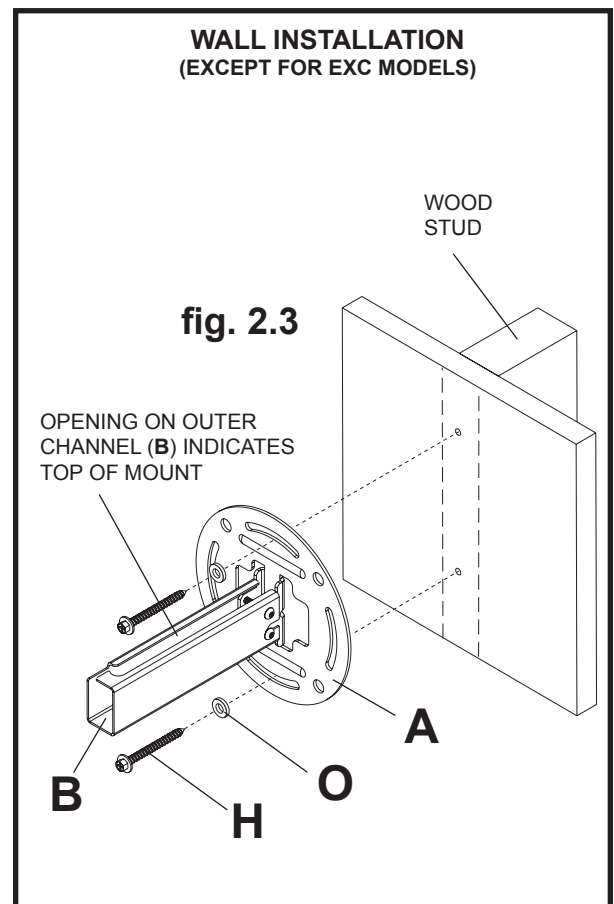
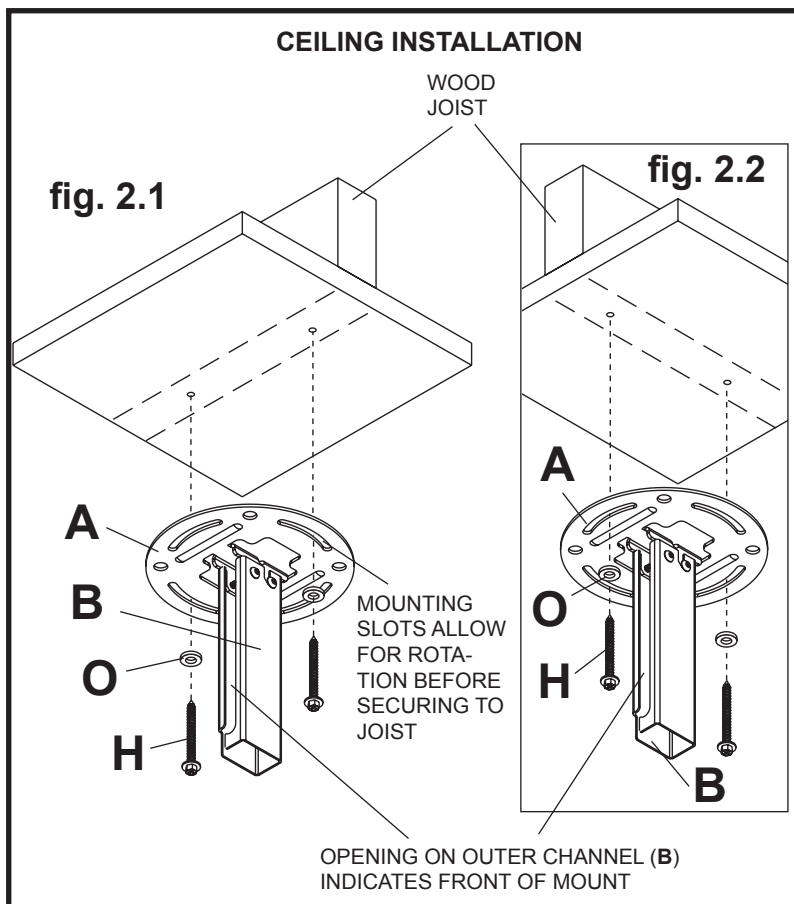
Use a stud finder to locate the edges of the stud or joist. Use of an edge-to-edge stud finder is highly recommended. Based on its edges, draw a vertical line down the stud's or joist's center. Place ceiling/wall plate (A) on wall or ceiling as a template, making sure that the two mounting slots are on the centerline.

For ceiling installation: Opening on outer channel (B) indicates front of mount. Use the correct mounting slots on the ceiling/wall plate depending on ceiling joist orientation as shown in figure 2.1 and figure 2.2. Mounting slots on ceiling plate allow for 45° (±22.5) of rotation before securing to joist.

For wall installation: Opening on outer channel (B) indicates top of mount.

Mark the center of the two mounting holes. Drill two 5/32" (4 mm) dia. holes 2-1/2" (65 mm) deep. Secure ceiling/wall plate (A) to wood stud or joist using two #14 x 2-1/2" wood screws (H) and two flat washers (O) as shown.

Skip to step 3



Installation to Concrete Ceilings or Concrete/Cinder Block Walls

⚠ WARNING

- When installing Peerless wall mounts on cinder block, verify that you have a minimum of 1-3/8" of actual concrete thickness in the hole to be used for the concrete anchors. Do not drill into mortar joints! Be sure to mount in a solid part of the block, generally 1" minimum from the side of the block. Cinder block must meet ASTM C-90 specifications. It is suggested that a standard electric drill on slow setting is used to drill the hole instead of a hammer drill to avoid breaking out the back of the hole when entering a void or cavity.
- Concrete must be 2000 psi density minimum. Lighter density concrete may not hold concrete anchor.
- Installer must verify that the supporting surface will safely support the combined load of the equipment and all attached hardware and components.

2 NOTE: Wall installation with models EXC, EXC-S and EXC-W is not available.

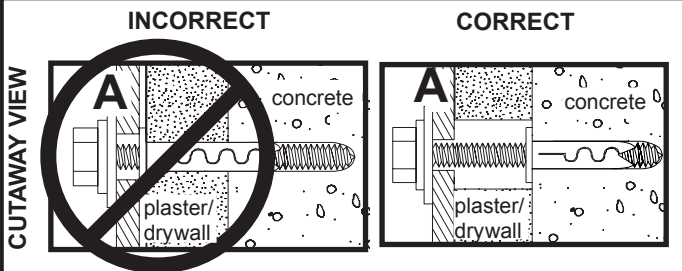
Place ceiling/wall plate (A) on ceiling or wall as a template. **Note:** Place ceiling/wall plate according to position of opening in outer channel (B) as shown in figure 2.4. or figure 2.5. Drill two 1/4" (6 mm) dia. holes to a minimum depth of 2.5" (64 mm). Attach ceiling/wall plate (A) using two concrete anchors (J), two #14 x 2.5" wood screws (H) and two washers (O) as shown in figure 2.6. Tighten wood screws (H) until ceiling/wall plate (A) is firmly attached.

⚠ WARNING

- Tighten wood screws firmly, but do not overtighten. Overtightening can damage the screws, greatly reducing their holding power.
- Never tighten in excess of 80 in • lb (9 N.M.).

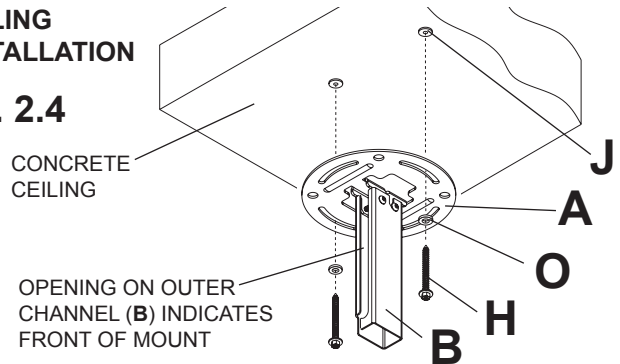
⚠ WARNING

- Always attach concrete expansion anchors directly to load-bearing concrete.
- Never attach concrete expansion anchors to concrete covered with plaster, drywall, or other finishing material. If mounting to concrete surfaces covered with a finishing surface is unavoidable, the finishing surface must be counterbored as shown below. Be sure concrete anchors do not pull away from concrete when tightening screws. If plaster/drywall is thicker than 5/8" (16 mm), custom fasteners must be supplied by installer (not UL approved).



CEILING INSTALLATION

fig. 2.4



WALL INSTALLATION (EXCEPT FOR EXC MODELS)

fig. 2.5

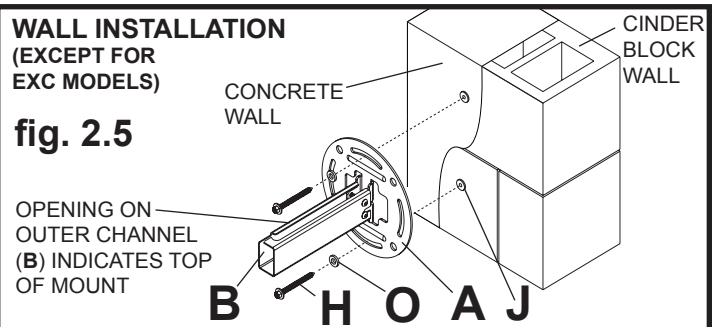
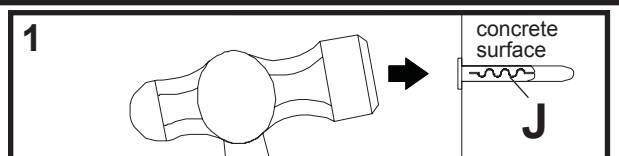
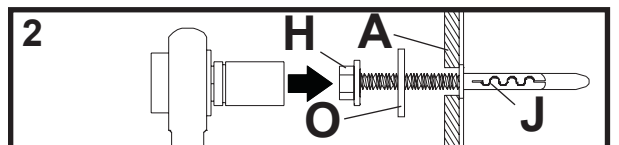


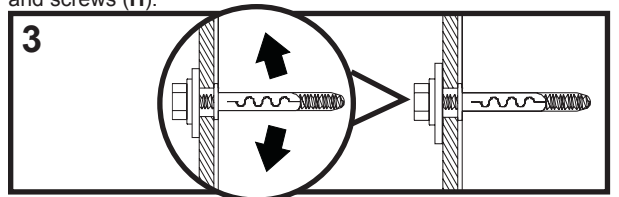
fig. 2.6



Drill holes and insert anchors (J).



Place plate (A) over anchors (J) and secure with washers (O) and screws (H).



Tighten all fasteners.

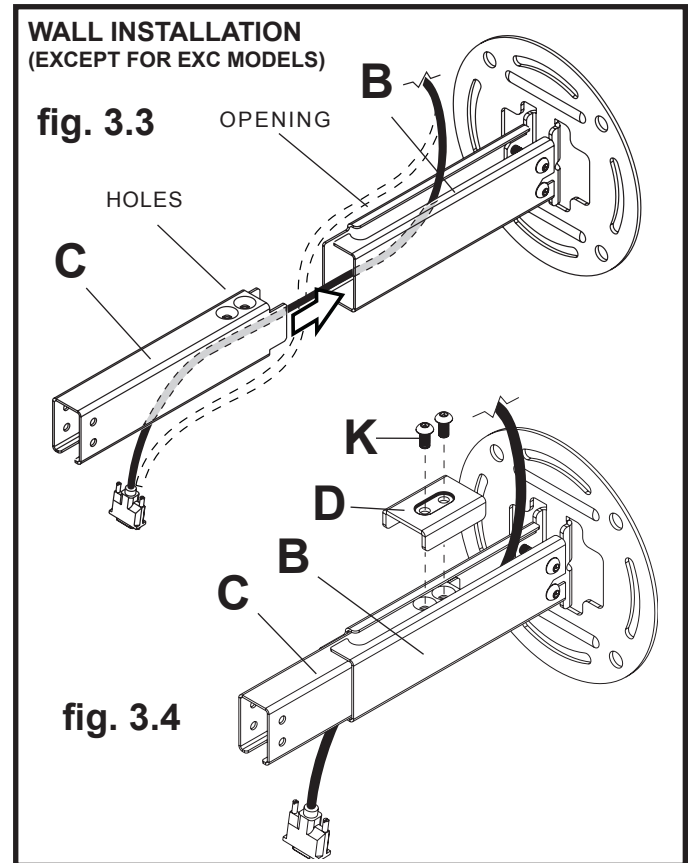
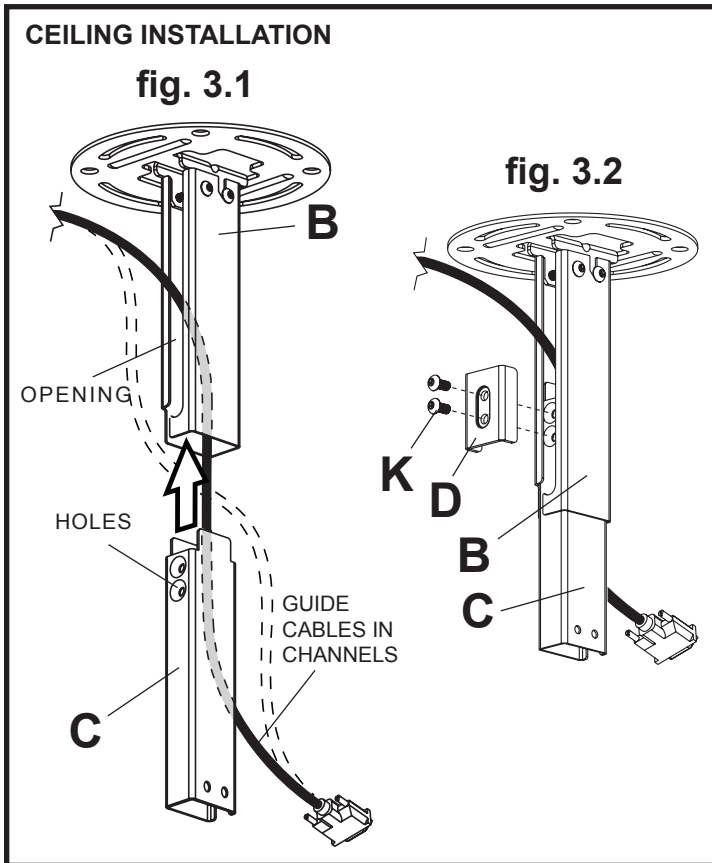
Installing Inner Channel and Routing Cables

3 **Note:** Be certain holes on inner channel (C) face in the same direction of opening on outer channel (B).

Note: Cables must be removed from projector before routing through channels. If cables are not removable from projector, routing through channels is not an option.

Guide projector cables into openings in channels then insert inner channel (C) into outer channel (B) as shown in figure 3.1 or 3.3.

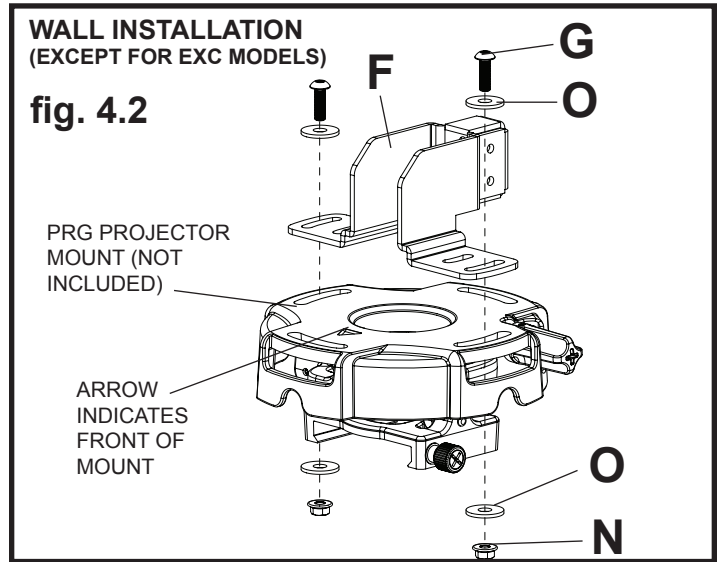
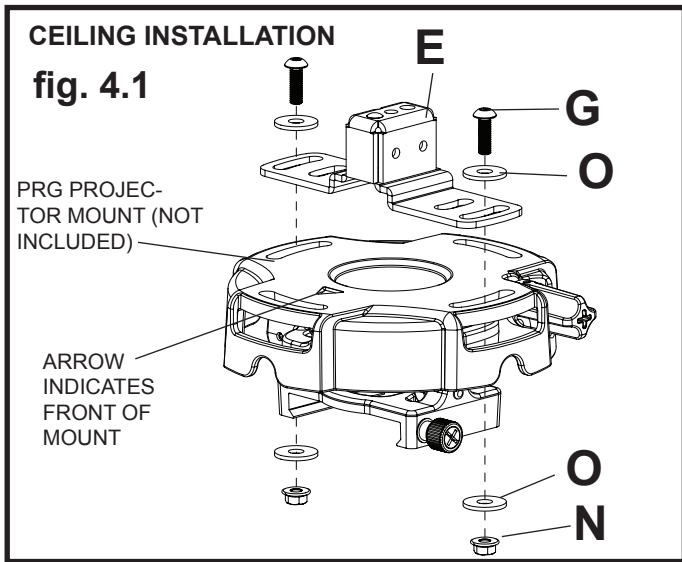
Position inner channel (C) to the desired extended position and secure using two M6 x 12 mm socket pin screws (K) through clamp plate (D) and into inner channel (C) as shown in figure 3.2 or 3.4.



Installing Projector Mount

4 **Installing PRG projector mount with ceiling installation:** Attach vertical mounting plate (E) to PRG projector mount (not included) using two M5 x 16 mm socket pin screws (G), four flat washers (O) and two locknuts (N) as shown in figure 4.1.

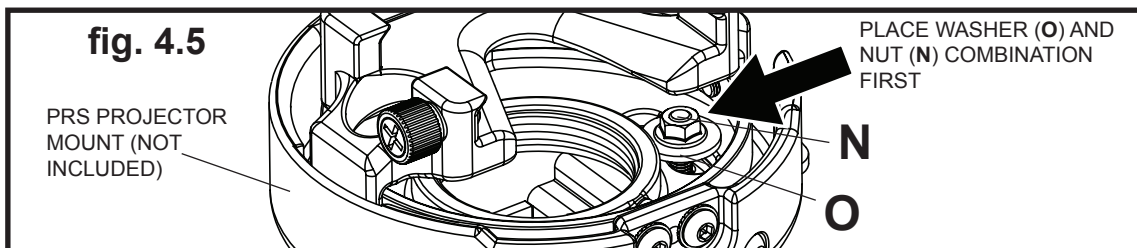
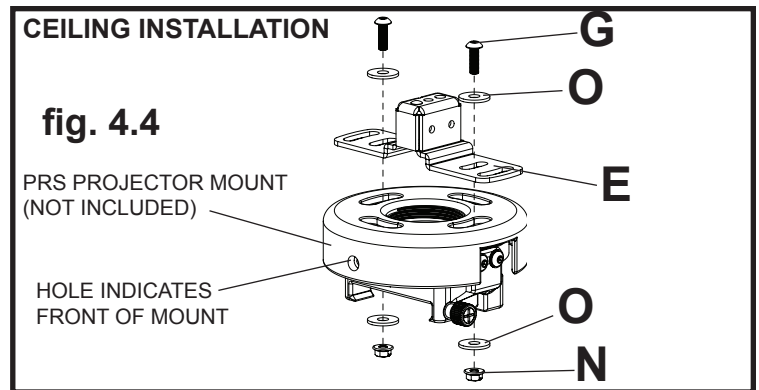
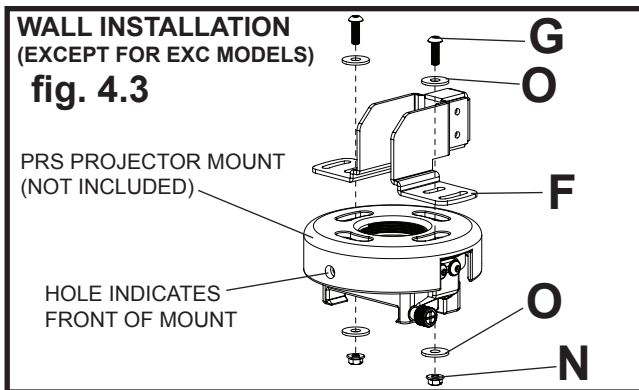
Installing PRG projector mount with wall installation: Position PRG projector mount (not included) to the orientation shown in figure 4.2 and attach to horizontal mounting plate (F) using two M5 x 16 mm socket pin screws (G), four flat washers (O) and two locknuts (N).



Installing PRS projector mount with wall installation: Position PRS projector mount (not included) to the orientation shown in figure 4.3 and attach to horizontal mounting plate (F) using two M5 x 16 mm socket pin screws (G), four flat washers (O) and two locknuts (N).

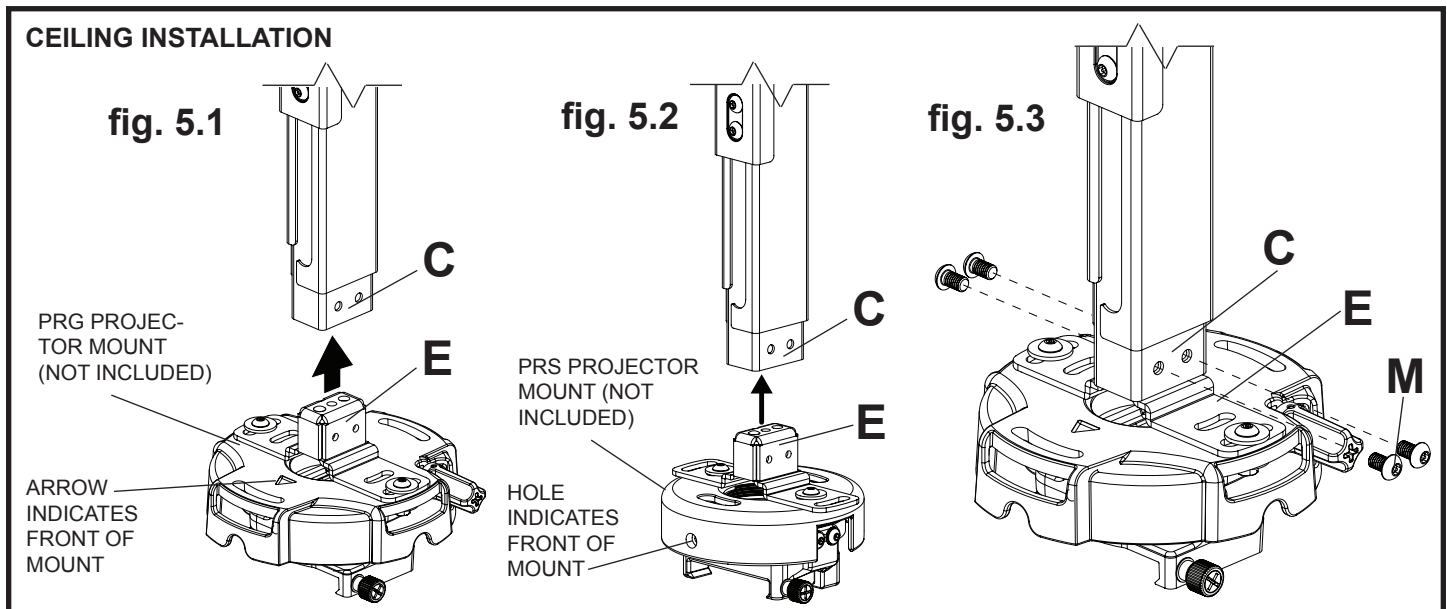
Installing PRS projector mount with ceiling installation: Attach vertical mounting plate (E) to PRS projector mount (not included) using two M5 x 16 mm socket pin screws (G), four flat washers (O) and two locknuts (N) as shown in figure 4.4.

Note: Placing washer (O) and nut (N) combination on inside of PRG or PRS projector mount (not included) first while attaching mounting bracket (E or F) can make installation easier as shown in figure 4.5.

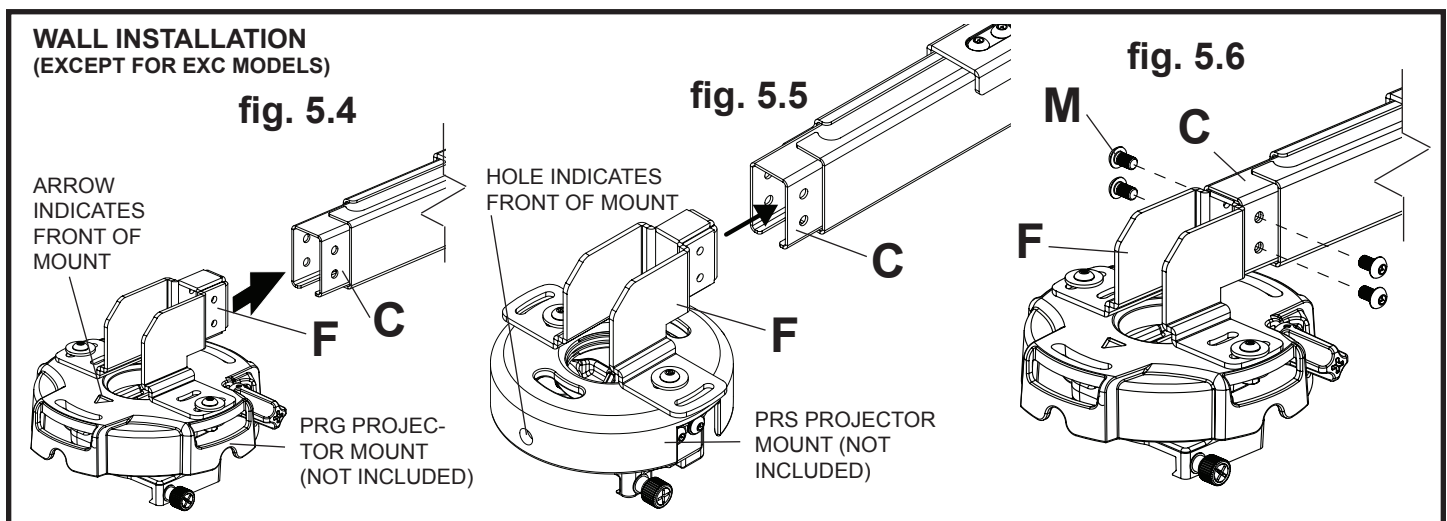


Installing Projector Mount (continued)

- 5 Ceiling installation:** Insert vertical mounting plate (E) into inner channel (C) with projector mount in the correct orientation shown in figure 5.1 or 5.2. Secure vertical mounting plate to inner channel using four socket pin screws (M) as shown in figure 5.3.



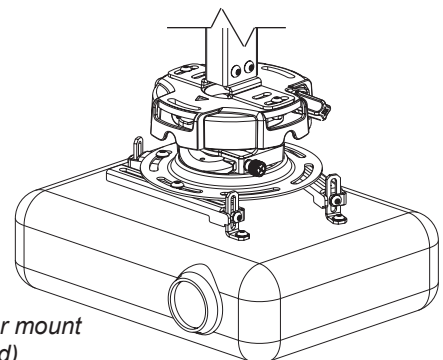
Wall installation: Insert horizontal mounting plate (F) into inner channel (C) as shown in figure 5.4 or 5.5. Secure horizontal mounting plate to inner channel using four socket pin screws (M) as shown in figure 5.6.



Installing Projector

- 6** Refer to instruction manual included with your projector mount for installing projector.

NOTE: Refer to instruction manual included with your projector mount for max load capacity of your projector mount.



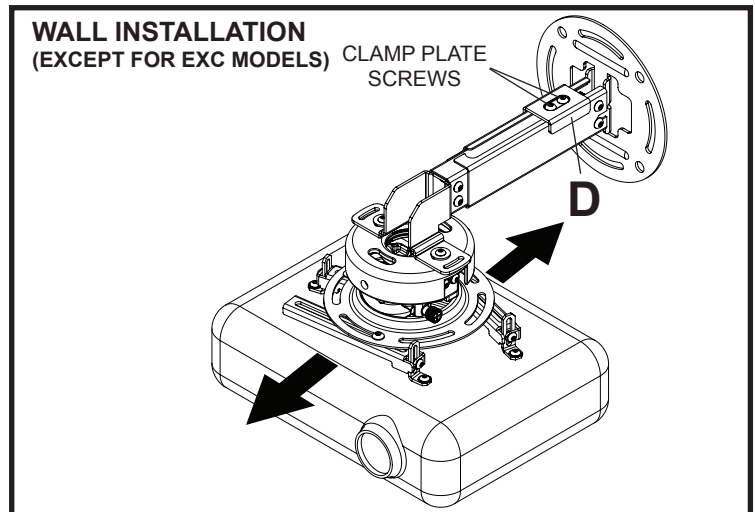
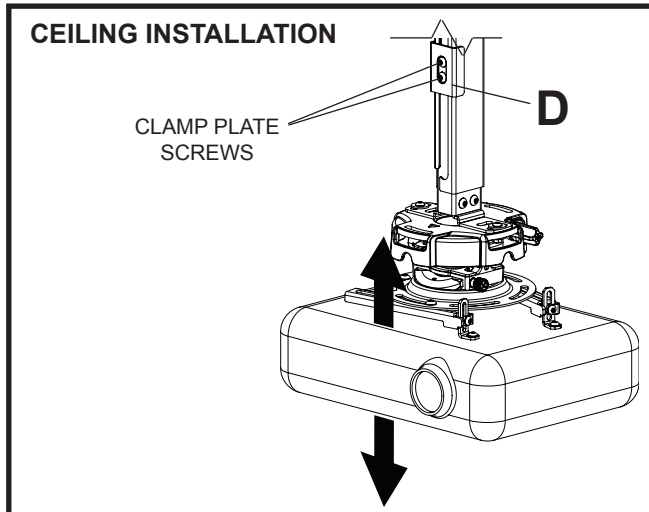
*Shown with PRG projector mount
and projector (not included)*

Adjusting Mount Extension

- 7** While supporting the weight of the projector, loosen clamp plate screws half a turn and position projector to the desired extended position. Retighten clamp plate screws securely.

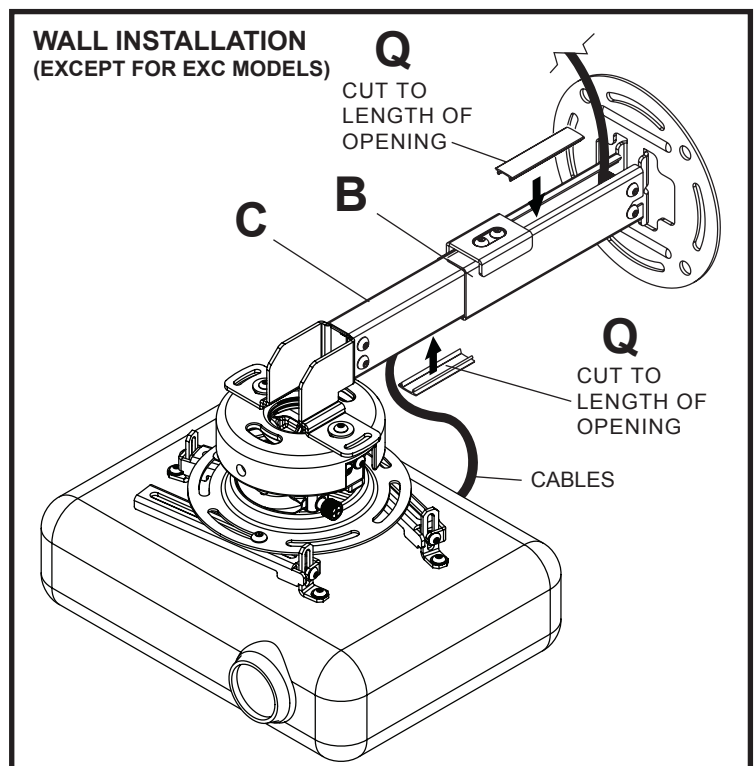
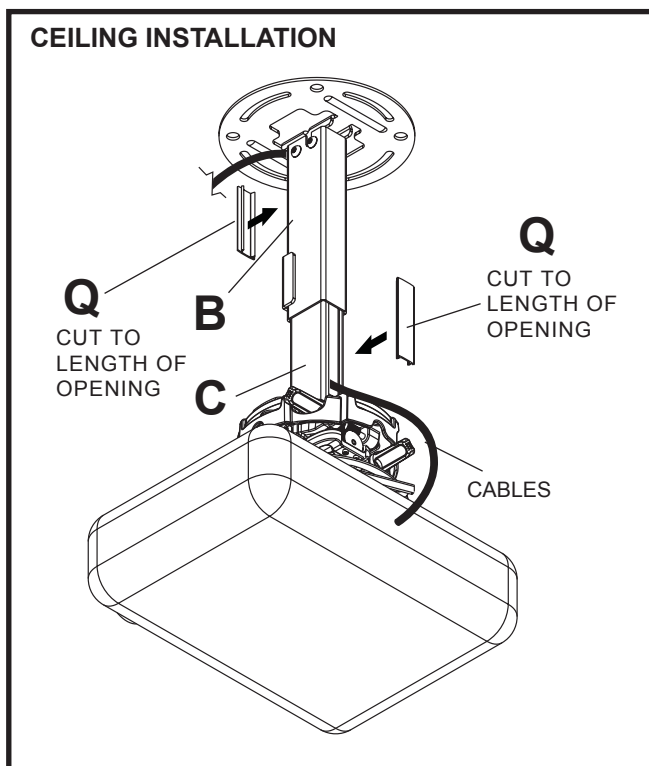
⚠ WARNING

- On ceiling installations, clamp plate adjustment screws support weight of projector when fully tightened. Weight of the projector will need to be supported if clamp plate screws are loosened.



Install Cable Covers

- 8** Cut cable covers (**Q**) to the length of inner channel (**C**) and outer channel (**B**) openings, leaving space for cables if routed through channels. Snap cable covers (**Q**) into openings as shown.



Projector Alignment

9 For **PRG swivel adjustment**: Loosen two screws indicated in figure 9.1 half a turn using allen wrench (**P**) to allow for adjusting swivel. Align projector to the desired swivel position and fully tighten screws indicated.

For **PRS swivel adjustment**: Loosen two screws indicated in figure 9.1 half a turn using allen wrench (**P**) to allow for adjusting swivel. Align projector to the desired swivel position and fully tighten screws indicated.

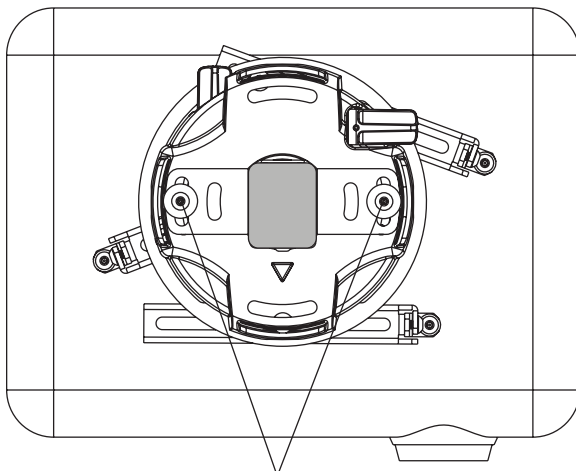
To adjust tilt and roll, refer to instruction included with projector mount.

⚠ WARNING

- Do not loosen adjustment screws to the point they become disengaged from the mount. Weight of the projector should be supported in case of accidental disengagement.

fig. 9.1

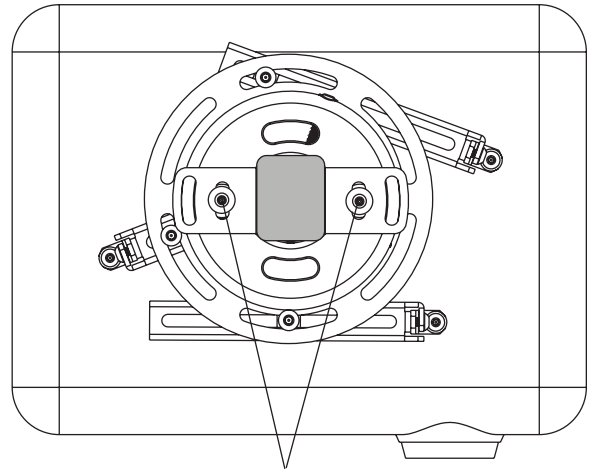
SWIVEL ADJUSTMENT WITH PRG



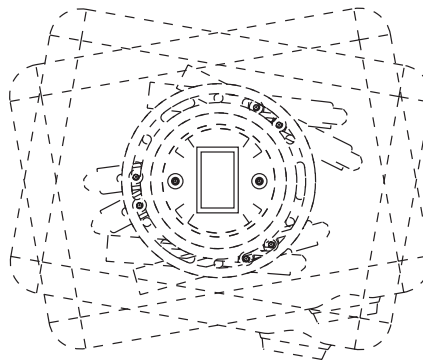
SCREWS FOR SWIV-EL ADJUSTMENT

fig. 9.2

SWIVEL ADJUSTMENT WITH PRS



SCREWS FOR SWIV-EL ADJUSTMENT



20° ($\pm 10^\circ$) SWIVEL
SWIVEL ADJUSTMENT
TOP VIEW

Touchboards

205 Westwood Ave, Long Branch, NJ 07740
Phone: 866-94 BOARDS (26273) / (732)-222-1511
Fax: (732)-222-7088 | E-mail: sales@touchboards.com