

FPECMI-01  
 FPECMI-02  
 FPECMI-03  
 FPECMI-04

# Indoor/Outdoor Tilting I-beam Mount for Protective Enclosures (FPE42(H)-S, FPE47(H)-S & FPE55(H)-S)

Peerless Indoor/Outdoor Tilting I-beam Mount is made from robust, corrosion resistant materials, primed with special e-coat and comes with stainless steel hardware, designed to last in virtually any environment. This mount expedites and simplifies indoor and outdoor installations with hook-and-hang set-up and viewing angle adjustment. It is the ideal solution for mounting a Protective Enclosure to an I-beam for any entertainment and digital signage installation.



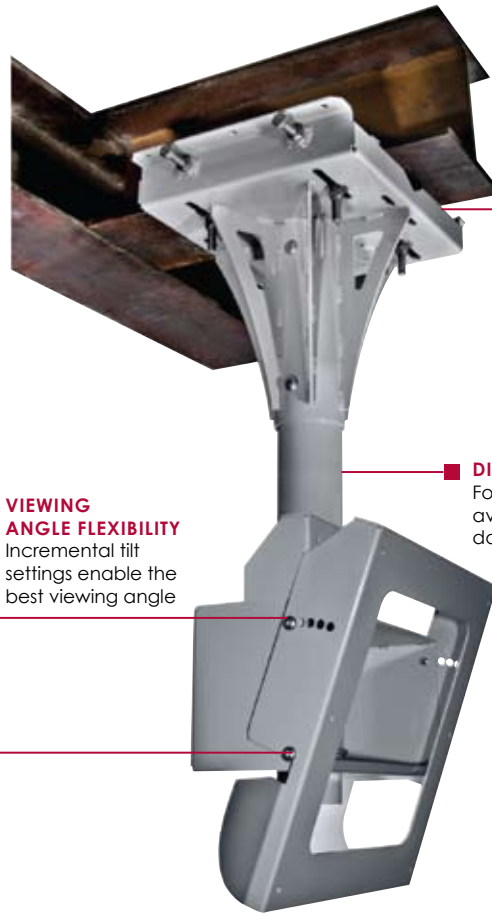
Screen size: 40"-55"



Max load: 400lb (181kg)

## FEATURES

- For indoor or outdoor use
- Constructed from corrosion resistant materials, coated with a special e-coat and comes with stainless steel hardware to endure the harshest environments
- Incremental tilt settings from 0° to 20° to find the perfect viewing angle
- Adjustable I-beam adapter supports installation to I-beams with flange width of 5.45" min and 12.45" max
- Available in 1 to 4 foot pole length options for varied drop down requirements
- 360° lock-in-place swivel makes it easy to set the perfect viewing angle without having to adjust the ceiling base



**I-BEAM COMPATIBILITY**  
 Adjustable I-beam adapter supports flange size variation

**DISPLAY HEIGHT OPTIONS**  
 Four pole length options available for varied drop down display height needs

**VIEWING ANGLE FLEXIBILITY**  
 Incremental tilt settings enable the best viewing angle

**SIMPLE SET-UP**  
 Hook-and-hang design helps attach enclosure to mount and hold the weight load while fine tuning adjustments



For use with Peerless Protective Enclosures, sold separately



RoHS  
 2002/95/EC



# Touchboards

205 Westwood Ave, Long Branch, NJ 07740  
 Phone: 866-94 BOARDS (26273) / (732)-222-1511  
 Fax: (732)-222-7088 | E-mail: sales@touchboards.com

peerless®

## Model Numbers

<b>FPECMI-01:</b>	1ft. Indoor/Outdoor Tilting I-Beam Mount for Protective Enclosures (FPE42(H)-S, FPE47(H)-S & FPE55(H)-S)
<b>FPECMI-02:</b>	2ft. Indoor/Outdoor Tilting I-Beam Mount for Protective Enclosures (FPE42(H)-S, FPE47(H)-S & FPE55(H)-S)
<b>FPECMI-03:</b>	3ft. Indoor/Outdoor Tilting I-Beam Mount for Protective Enclosures (FPE42(H)-S, FPE47(H)-S & FPE55(H)-S)
<b>FPECMI-04:</b>	4ft. Indoor/Outdoor Tilting I-Beam Mount for Protective Enclosures (FPE42(H)-S, FPE47(H)-S & FPE55(H)-S)

## Product Specifications

	DIMENSIONS (W x H x D)	PRODUCT WEIGHT	LOAD CAPACITY	FINISH	AVAILABLE COLORS
<b>FPECMI-01</b>	18.79" x 41.44" x 18" (477 x 1052 x 457mm)	77lb (34kg)	400lb (181kg)	Outdoor gloss powder paint	Stone gray
<b>FPECMI-02</b>	18.79" x 53.44" x 18" (477 x 1357 x 457mm)	81lb (36kg)			
<b>FPECMI-03</b>	18.79" x 65.44" x 18" (477 x 1662 x 457mm)	85lb (38kg)			
<b>FPECMI-04</b>	18.79" x 77.44" x 18" (477 x 1966 x 457mm)	90lb (40kg)			

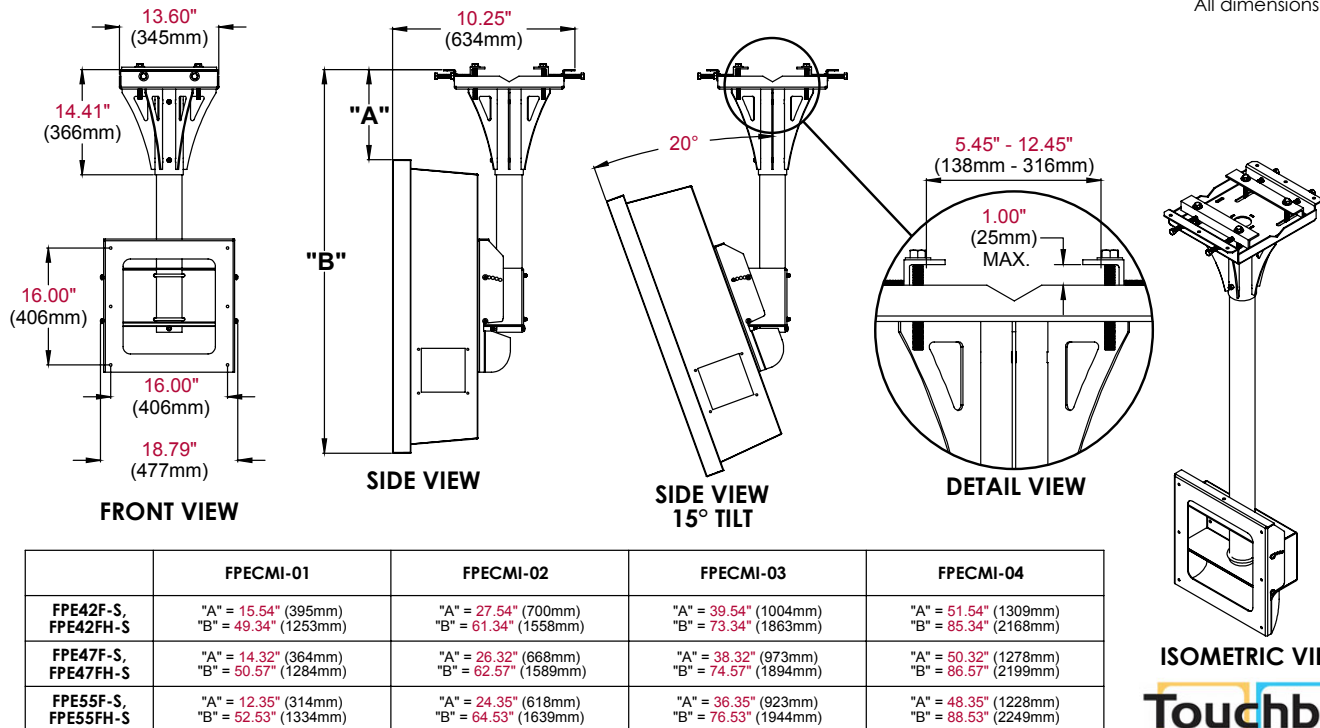
## Package Specifications

	PACKAGE SIZE (W x H x D)	PACKAGE SHIP WEIGHT	PACKAGE UPC CODE	PACKAGE CONTENTS	UNITS IN PACKAGE
<b>FPECMI-01</b>	Box 1: 24" x 20" x 11" (610 x 508 x 279mm) Box 2: 19" x 17" x 15" (483 x 432 x 381mm) Box 3: 35" x 4" x 4" (889 x 101 x 101mm)	79 lb (36kg)	735029273110	I-beam mount and mounting hardware	1
<b>FPECMI-02</b>	Box 1: 24" x 20" x 11" (610 x 508 x 279mm) Box 2: 19" x 17" x 15" (483 x 432 x 381mm) Box 3: 47" x 4" x 4" (1194 x 101 x 101mm)	83lb (38kg)	735029273080		
<b>FPECMI-03</b>	Box 1: 24" x 20" x 11" (610 x 508 x 279mm) Box 2: 19" x 17" x 15" (483 x 432 x 381mm) Box 3: 59" x 4" x 4" (1499 x 101 x 101mm)	88lb (40kg)	735029273134		
<b>FPECMI-04</b>	Box 1: 24" x 20" x 11" (610 x 508 x 279mm) Box 2: 19" x 17" x 15" (483 x 432 x 381mm) Box 3: 59" x 4" x 4" (1499 x 101 x 101mm)	93lb (42kg)	735029273141		

## Accessories

<b>FPE42F-S:</b>	Indoor/Outdoor Protective Enclosure with Cooling Fans for 40"-42" Flat Panel Screens
<b>FPE47F-S:</b>	Indoor/Outdoor Protective Enclosure with Cooling Fans for 46"-47" Flat Panel Screens
<b>FPE55F-S:</b>	Indoor/Outdoor Protective Enclosure with Cooling Fans for 52"-55" Flat Panel Screens
<b>FPE42FH-S:</b>	Indoor/Outdoor Protective Enclosure with Cooling Fans and Thermostat Controlled Heater for 40"-42" Flat Panel Screens
<b>FPE47FH-S:</b>	Indoor/Outdoor Protective Enclosure with Cooling Fans and Thermostat Controlled Heater for 46"-47" Flat Panel Screens
<b>FPE55FH-S:</b>	Indoor/Outdoor Protective Enclosure with Cooling Fans and Thermostat Controlled Heater for 52"-55" Flat Panel Screens

All dimensions = inch (mm)



## ARCHITECTS SPECIFICATIONS

The Indoor/Outdoor Tilting I-Beam Mount shall be a Peerless model number FPECMI and located where indicated on the plans. Assembly and installation shall be done according to instructions provided by the manufacturer. Mount is made of heavy gauge cold rolled steel. Mount is finished with a glossy ASA-70 gray protective paint.