

## FPZ-600

# Flat Panel Display Stand

For up to 70" Displays

FPZ-600 Flat Panel Display stands provide a safe and secure solution for displaying digital content in public areas like conference rooms, lobbies or convention centers. The versatility and functionality of this solidly engineered stand enables single display, two displays back-to-back, two displays in portrait orientation or even four displays in either landscape or portrait orientations (may require additional accessory). Integrated security fasteners lock the displays in place, virtually eliminating theft, while internal cable management completely hides all wires and cables enabling a clean, professional look.



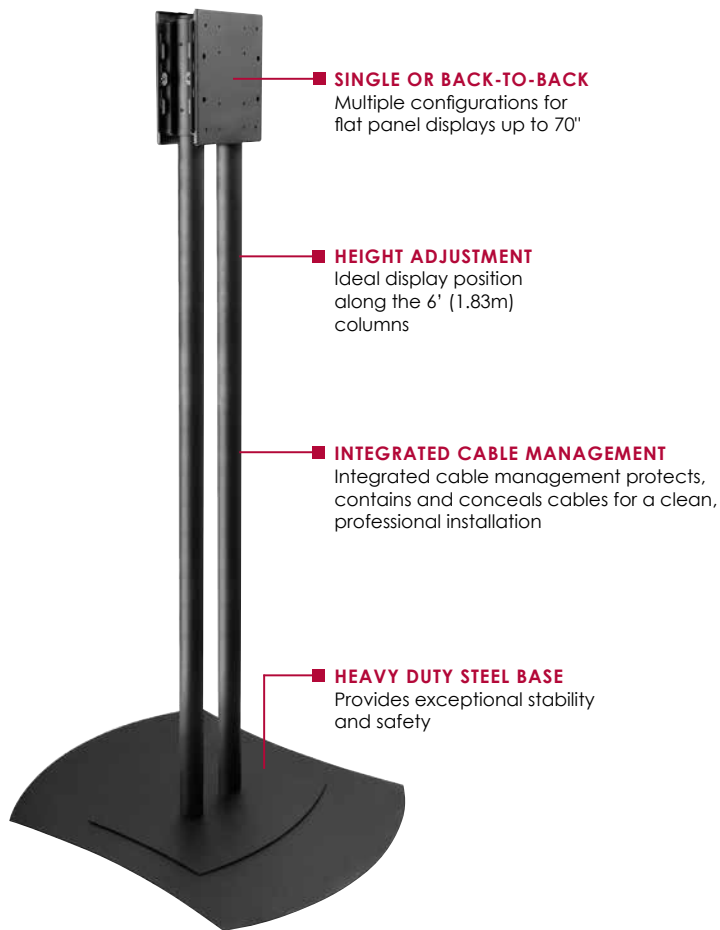
Display size: up to 70"



Max load: 200lb (90.7kg)  
per display up to 4 displays

### FEATURES

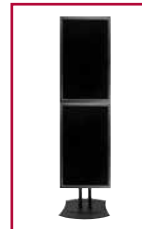
- Fits single or back-to-back mounted displays up to 70" (up to four with additional dual-display cartridge)
- VESA® 100, 200 x 100, 200 x 200mm compatible. Additional display mounting patterns supported by optional PLP display adaptor plate (sold separately)
- Continuous vertical adjustment on 6' (1.83m) columns for perfect viewing height
- Hook-on design for quick and simple installation
- Easy to switch from portrait to landscape orientation
- Integrated cable management protects, contains and conceals cables for a clean, professional installation
- Includes theft resistant hardware for attaching display to mount



Back-to-back  
Landscape



Single display  
Portrait



Dual Display  
Portrait  
*(requires ACC604 adaptor)*



RoHS

MADE IN USA

**FPZ-600** Flat Panel Display Stand for up to 70" Displays

**Product Specifications**

	<b>DIMENSIONS (W x H x D)</b>	<b>PRODUCT WEIGHT</b>	<b>LOAD CAPACITY</b>	<b>FINISH</b>	<b>AVAILABLE COLORS</b>
<b>FPZ-600</b>	28.91" x 72.33" x 36.00" (734 x 1837 x 914mm)	108.2lb (49kg)	200lb (90.7kg) per display up to 4 displays	Powder Coat	Black

**Package Specifications**

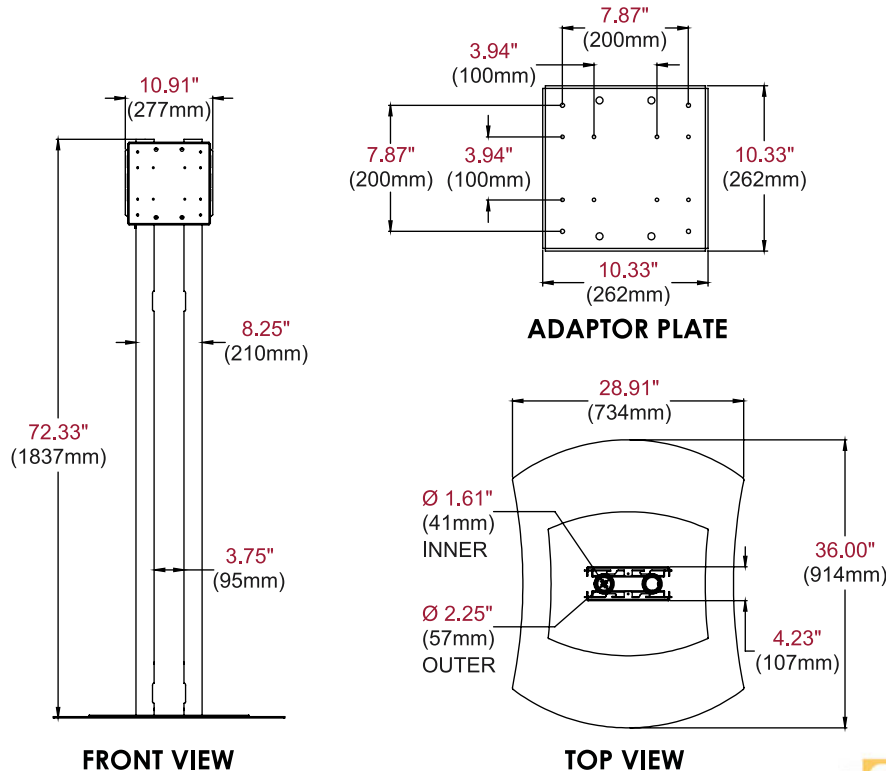
	<b>PACKAGE SIZE (W x H x D)</b>	<b>PACKAGE SHIP WEIGHT</b>	<b>PACKAGE UPC CODE</b>	<b>PACKAGE CONTENTS</b>	<b>UNITS IN PACKAGE</b>
<b>FPZ-600</b>	Box 1: 37.25" x 30.50" x 9.38" (946 x 775 x 238mm)  Box 2 and 3: 72.00" x 4.00" x 8.00" (1830 x 102 x 203mm)	Box 1: 82.9lb (37.6kg)  Box 2 and 3: 17.6lb (7.9kg)	735029242604	Floor base, 2 columns, dual-display cartridge, 2 VESA® display adaptor brackets & mounting hardware	1

**Accessories**

**PLP-UNL:** Universal Adaptor Plate  
**ACC604:** Dual-Display Cartridge

**ACC325:** Accessory Shelf  
**ACC340:** Media Player Shelf

All dimensions = inch (mm)



**ARCHITECTS SPECIFICATIONS**

The Flat Panel Display Stand shall be a Peerless-AV model FPZ-600 and shall be installed where indicated on the plans. It shall be constructed of heavy gauge cold rolled steel. Assembly and installation shall be done according to instructions provided by the manufacturer.



205 Westwood Ave, Long Branch, NJ 07740  
Phone: 866-94 BOARDS (26273) / (732)-222-1511  
Fax: (732)-222-7088 | E-mail: sales@touchboards.com