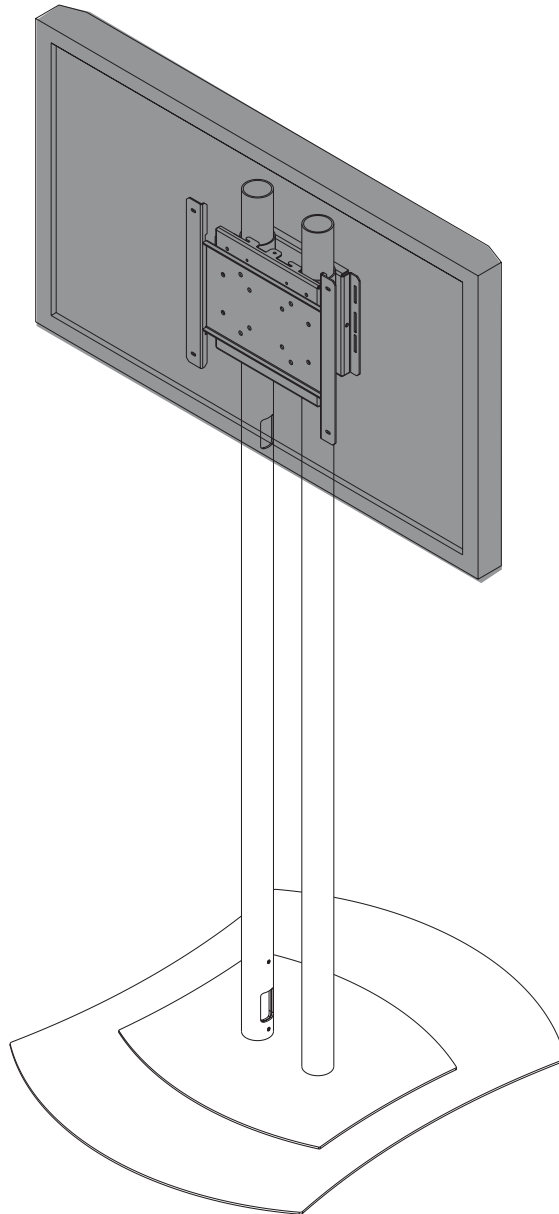


Installation and Assembly: Floor Stand

Model: FPZ-600



Max Load Capacity For Floor Stand Only:
Two screens at 200 lb (90.7 kg) each
Max Load Capacity For Floor Stand With ACC 604:
Four screens at 200 lb (90.7 kg) each

Note: Read entire instruction sheet before you start installation and assembly.

⚠ WARNING

- Do not begin to install your Peerless product until you have read and understood the instructions and warnings contained in this Installation Sheet. If you have any questions regarding any of the instructions or warnings, please call Peerless customer care at 1-800-729-0307.
- This product should only be installed by someone of good mechanical aptitude, has experience with basic building construction, and fully understands these instructions.
- Make sure that the supporting surface will safely support the combined load of the equipment and all attached hardware and components.
- Never exceed the Maximum Load Capacity.
- Always use an assistant or mechanical lifting equipment to safely lift and position equipment.
- Tighten screws firmly, but do not overtighten. Overtightening can damage the items, greatly reducing their holding power.

Accessories

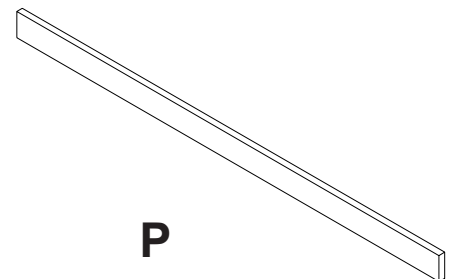
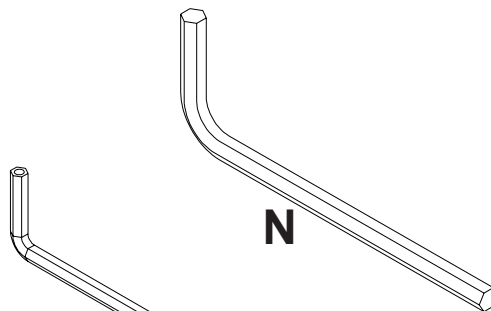
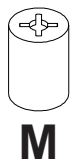
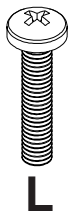
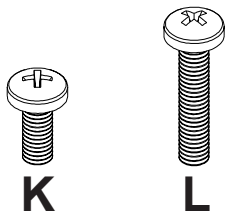
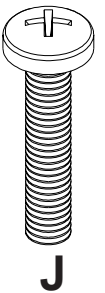
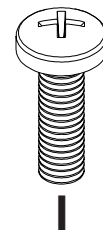
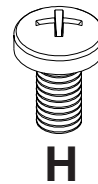
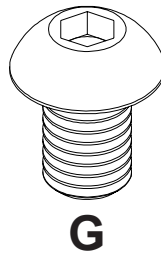
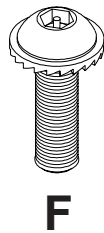
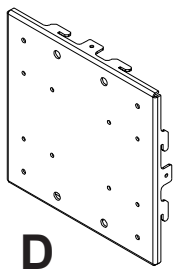
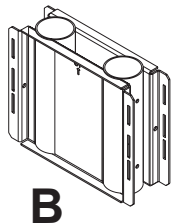
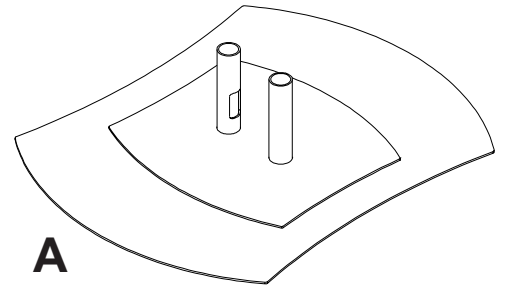
- Carriage for Additional Screens (ACC 604)

Table of Contents

Parts List	3
Assembling Floor Stand	4
Attaching Adapter Plate to Screen with VESA 100 Mounting Pattern	5
Attaching Adapter Plate to Screen with VESA 200 Mounting Pattern	5
Attaching Adapter Plate to Screen with VESA 200 x 200 Mounting Pattern	6
Attaching Adapter Plate to PLP Adapter Bracket	6
Installing Flat Panel Screen on Floor Stand	7

Parts List

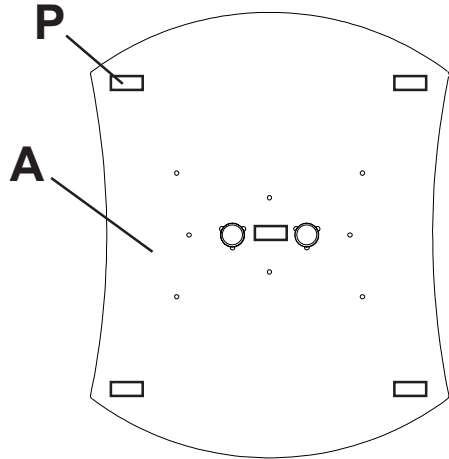
Description	Qty.	Part #
A base	1	201-1037
B carriage	1	201-1020
C main tube	2	580-1159
D adapter plate	2	201-1022
E 5/16-24 x 1/4" set screw	8	520-9566
F M6 x 20 mm serrated washer head socket pin screw	4	510-9554
G M10 x 15 mm socket head screw	4	520-9262
H M6 x 12 mm phillips screw	4	520-1128
I M6 x 20 mm phillips screw	4	520-9402
J M6 x 30 mm phillips screw	4	510-9109
K M4 x 10 mm phillips screw	4	504-9012
L M4 x 20 mm phillips screw	4	504-9020
M .198" ID x .313" OD x .437" H retaining spacer	4	590-5005
N 6 mm non-security allen wrench	1	560-9716
O 4 mm security allen wrench	1	560-9646
P bumper strip	1	570-1030



For customer care call (800) 729-0307 or (708) 865-8870.

- 1** For some situations, bumper strip (**P**) may be required to keep base (**A**) level. If so, cut bumper strip (**P**) into five equal pieces and adhere one piece to each corner and one piece to center of bottom side of base (**A**).

Note: The pieces can also be used in other locations on the base's bottom for other situations.



- 2** Slide two main tubes (**C**) onto base (**A**) and secure using four set screws (**E**) as shown in figure 2 and detail 1. Tighten screws using 4 mm allen wrench (**O**).

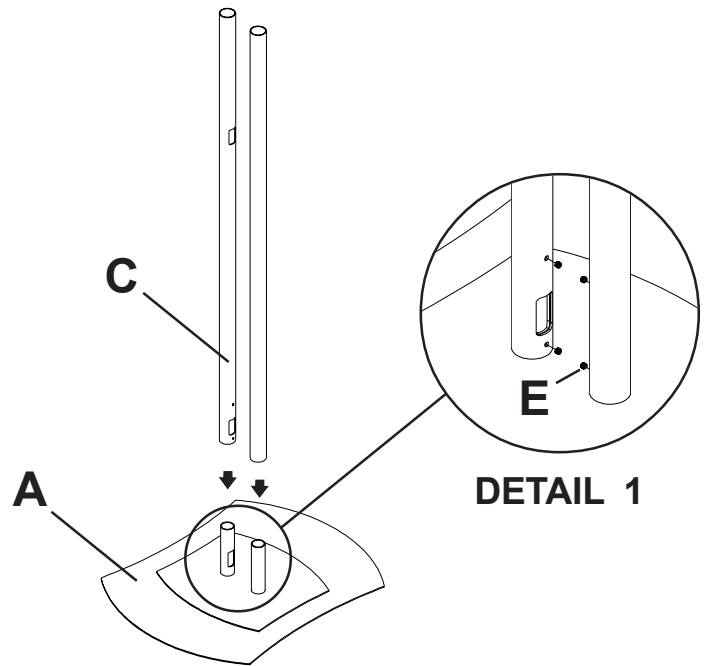


fig 2

- 3** Slide carriage (**B**) onto main tubes (**C**). Slide carriage to desired height and secure using four set screws (**E**) as shown in figure 3 and detail 2. Tighten screws using 4 mm allen wrench (**O**).

Note: Orientation of "UP" arrow is critical.

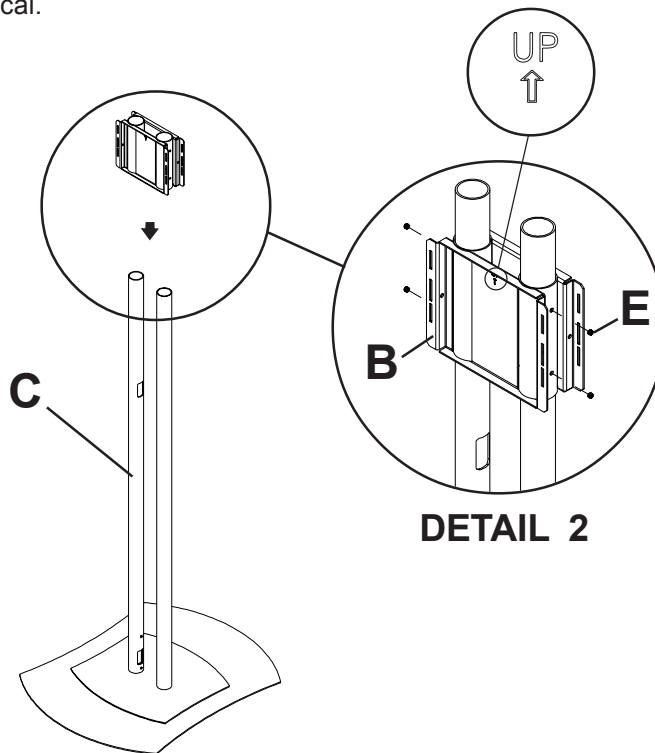


fig 3

Attaching Adapter Plate to Screen with VESA 100 Mounting Pattern

⚠ WARNING

- If screws don't get three complete turns in the screen inserts or if screws bottom out and adapter plate is still not tightly secured, damage may occur to screen or product may fail.

4 Choose hole pattern as shown in figure 4.1. Attach adapter plate (**D**) to back of screen using four M4 x 10 mm screws (**K**).

Note: Orientation of "UP" arrow is critical.

Skip to step 5 on page 7.

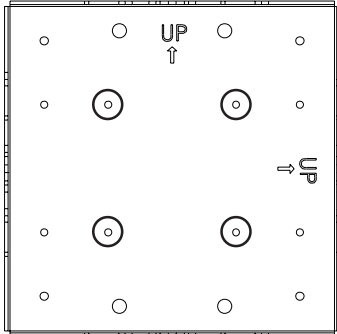
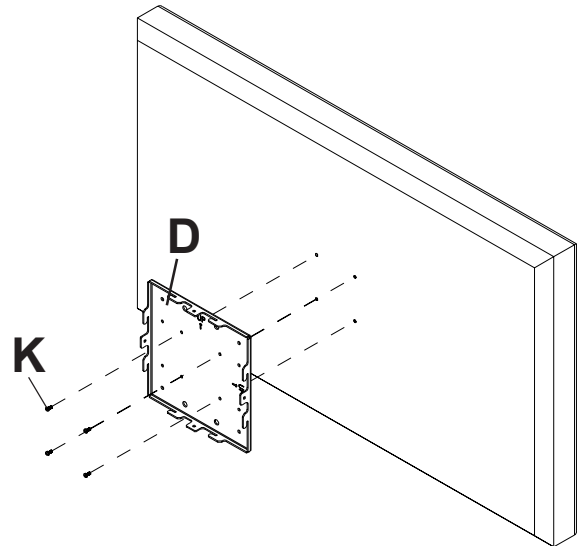


fig 4.1



Attaching Adapter Plate to Screen with VESA 200 Mounting Pattern

⚠ WARNING

- If screws don't get three complete turns in the screen inserts or if screws bottom out and adapter plate is still not tightly secured, damage may occur to screen or product may fail.

4 Choose hole pattern as shown in figure 4.2. Attach adapter plate (**D**) to back of screen using four M4 x 10 mm screws (**K**) as shown.

Note: Orientation of "UP" arrow is critical.

***Note:** If screw (**K**) gets less than three threads of engagement, attach adapter plate (**D**) to back of screen using four M4 x 20 mm screws (**L**) and four spacers (**M**) as indicated below.

Skip to step 5 on page 7.

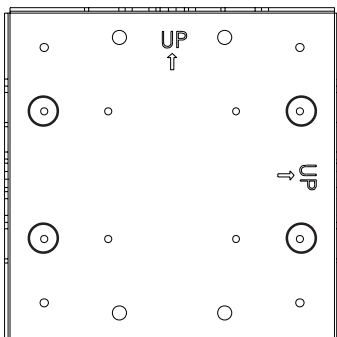
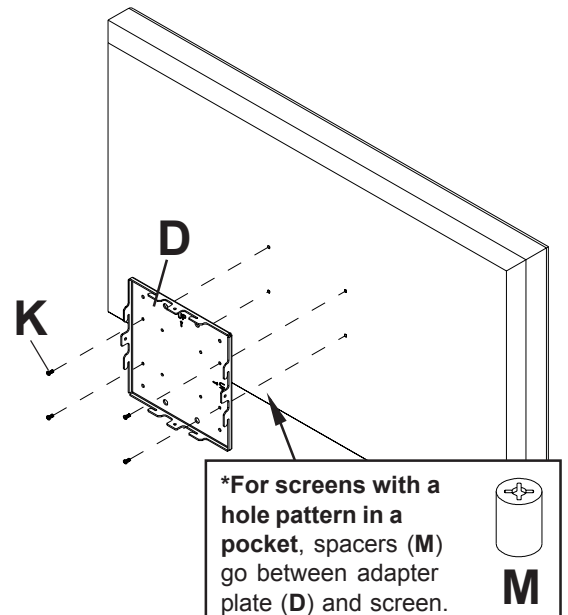


fig 4.2



Attaching Adapter Plate to Screen with VESA 200 x 200 Mounting Pattern

⚠ WARNING

- If screws don't get three complete turns in the screen inserts or if screws bottom out and bracket is still not tightly secured, damage may occur to screen or product may fail.

4 Choose hole pattern as shown in figure 4.3. Attach adapter plate (**D**) to back of screen using four M6 x 12 mm screws (**H**) as shown.

Note: Orientation of "UP" arrow is critical.

***Note:** If screw (**H**) gets less than three threads of engagement, attach adapter plate (**D**) to back of screen using four M6 x 20 mm screws (**I**). If screw (**I**) still gets less than three threads of engagement, use four M6 x 30 mm screws (**J**).

Skip to step 5 on page 7.

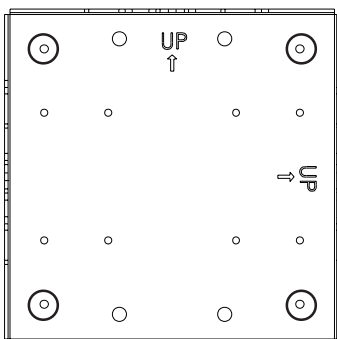
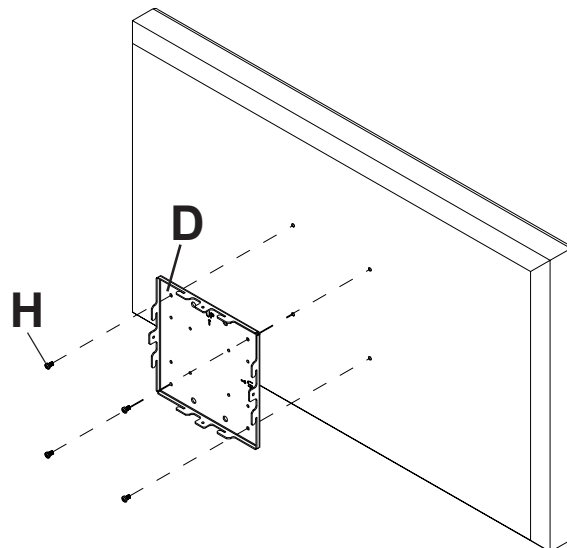


fig 4.3



Attaching Adapter Plate to PLP Model Adapter Bracket

For screen compatibility please refer to the plasma interface list on our website www.peerlessmounts.com or call customer care for a screen specific adapter bracket (PLP models).

Note: Refer to PLP model adapter bracket instruction sheet for attachment of adapter bracket to screen.

4 Choose hole pattern as shown in figure 4.4. Attach adapter plate (**D**) to back of screen using four M10 x 15 mm screws (**G**) as shown. Tighten screws using 6 mm allen wrench (**N**).

Note: Orientation of "UP" arrow is critical.

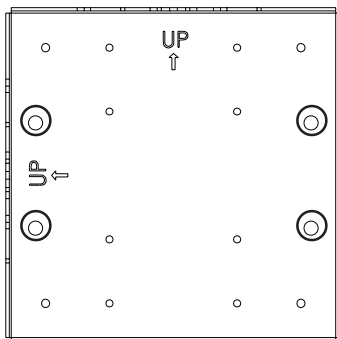
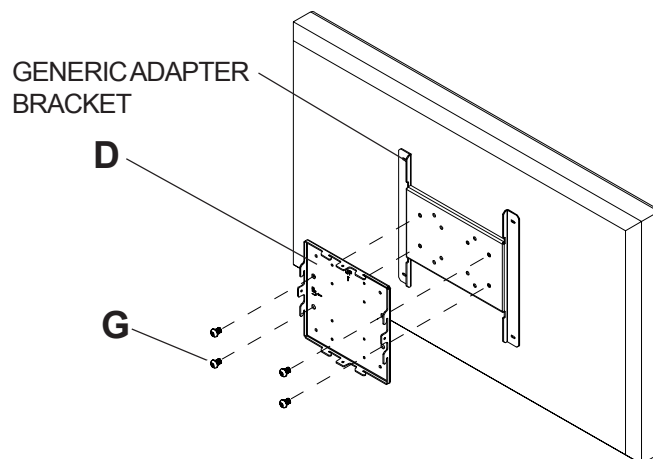
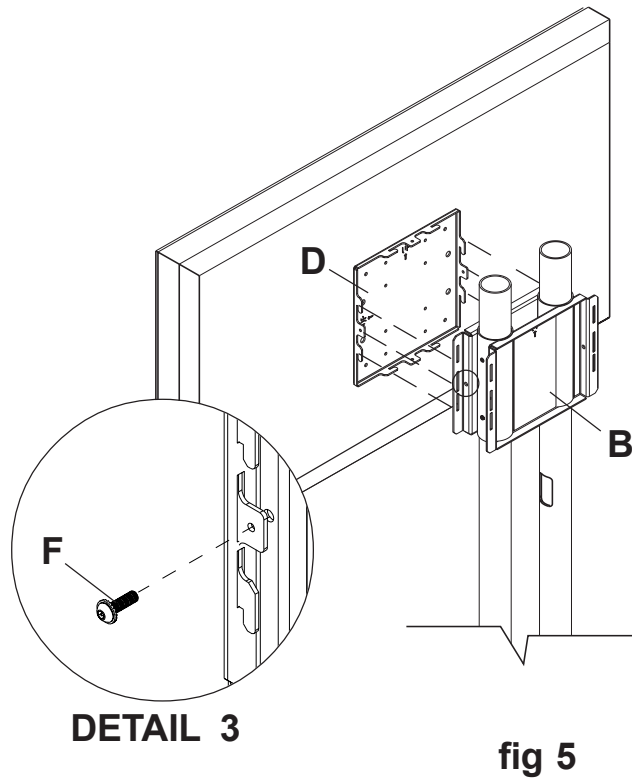


fig 4.4



- 5** Hook adapter plate (**D**) onto carriage (**B**) and secure using two M6 x 20 mm serrated washer head socket pin screws (**F**) as shown in figure 5 and detail 3. Tighten screws using 4 mm allen wrench (**O**).



- 6** To install second screen, repeat steps four and five for back side of carriage (**B**).
To install additional screens, **ACC 604** is required.

Touchboards

205 Westwood Ave, Long Branch, NJ 07740
Phone: 866-94 BOARDS (26273) / (732)-222-1511
Fax: (732)-222-7088 | E-mail: sales@touchboards.com